

WHEELCHAIR
ROLLSTUHL
CARROZZINA MANUALE
ROLSTOEL
FAUTEUIL ROULANT

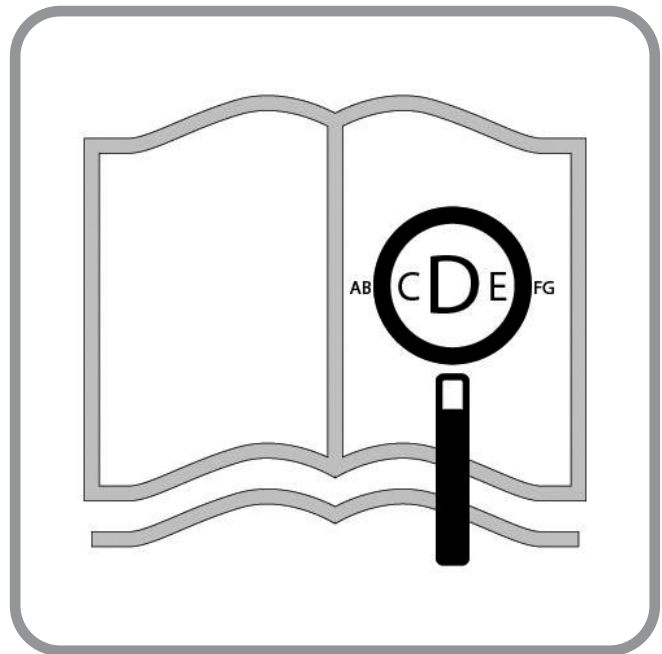


Unix2

DIRECTIONS FOR USE
GEBRAUCHSANWEISUNG
MANUALE D'USO
GEBRUIKERSHANDLEIDING
NOTICE D'UTILISATION

 Breezy®

000690915



Wheelchair Components

EN



We at SUNRISE MEDICAL have been awarded the ISO-13485 certificate, which affirms the quality of our products at every stage, from R & D to production. This product complies with the standards set forth in EU and UK regulations. Options or accessories shown are available at extra cost.

Rollstuhlkomponenten

DE



SUNRISE MEDICAL ist nach ISO 13485 zertifiziert und garantiert damit die Qualität unserer Produkte bei allen Entwicklungs- und Produktionsstufen dieses Rollstuhls. Dieses Produkt ist mit den in den EU- und UK-Verordnung dargelegten Anforderungen konform. Hier abgebildete Optionen oder Zubehörteile sind gegen Aufpreis erhältlich.

Componenti della carrozzina

IT



SUNRISE MEDICAL ha ottenuto la certificazione ISO-13485 che certifica la qualità dei suoi prodotti in ogni fase del loro processo di realizzazione, dalla ricerca e sviluppo alla produzione. Questo prodotto è conforme agli standard definiti dalle regolamenti UE e nel Regno Unito. I nostri sistemi di gestione della qualità, poiché conformi alla norma ISO 13485, garantiscono che anche il vostro prodotto Sunrise Medical soddisfa i requisiti del Regolamento Dispositivi Medici.

Rolstoelonderdelen

NL



SUNRISE MEDICAL heeft het ISO 13485 certificaat toegekend gekregen, een bewijs van de kwaliteit van onze processen in elk stadium, vanaf het onderzoek en de ontwikkeling tot de productie. Dit product voldoet aan de standaarden zoals bepaald in regelgeving van de EU en het VK. Getoonde opties en accessoires zijn tegen betaling verkrijgbaar.

Description du fauteuil

FR



Nous, la société SUNRISE, sommes certifiés ISO 13485, ce qui garantit la qualité de nos produits à tous les stades, du développement jusqu'à la production. Ce produit est conforme aux exigences des réglementations de l'Union européenne et du Royaume-Uni. Les options ou accessoires illustrés sont disponibles en option.



5



Wheelchairs:

1. Push handles
2. Backrest upholstery
3. Sideguard
4. Seat sling
5. Footrest
6. Castors
7. Footboard
8. Fork
9. Quick-release axle
10. Wheel locks
11. Handrim
12. Rear wheel



18



Rollstühle:

1. Schiebegriffe
2. Rückenpolster
3. sideguard
4. Sitzgurt
5. Fußstütze
6. Rollen
7. Trittbrett
8. Gabel
9. Steckachse
10. Felgenschlösser
11. Greifreifen
12. Hinterrad



31



Carrozzina:

1. Manopole di spinta
2. Rivestimento schienale
3. Spondina
4. Telo seduta
5. Pedana
6. Ruote anteriori
7. Appoggiapiedi
8. Forcella
9. Asse ad estrazione rapida
10. Freni
11. Corrimano
12. Ruota posteriore



44



Rolstoelonderdelen:

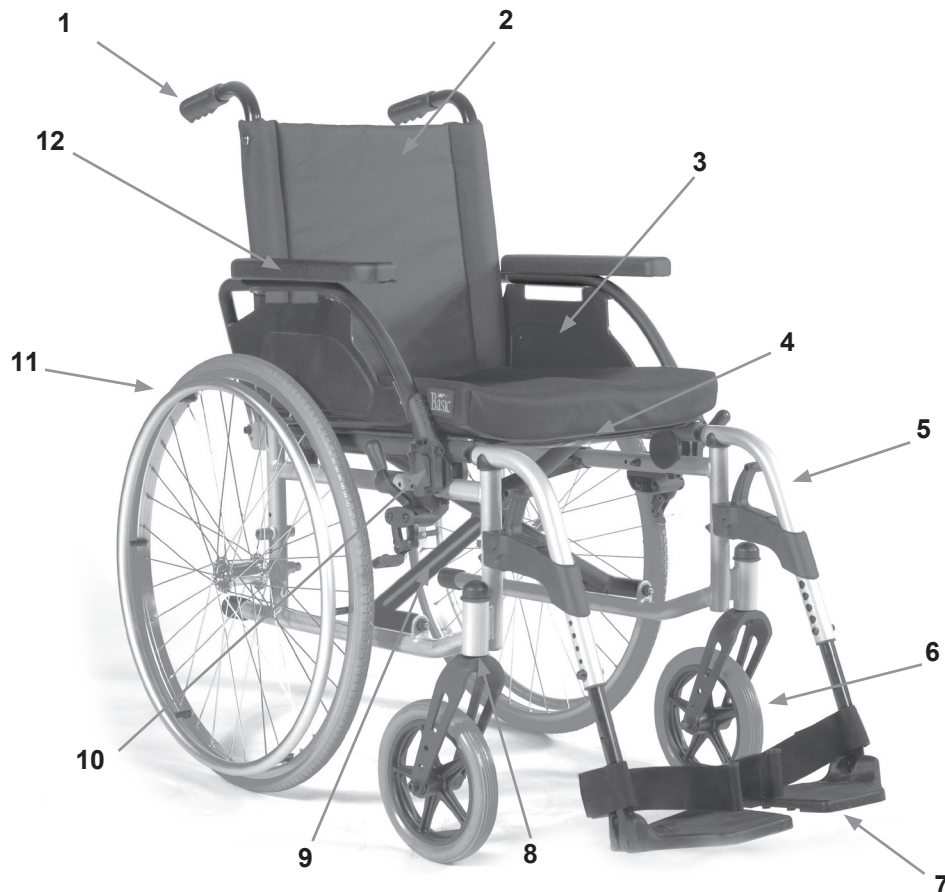
1. Duwhandvatten
2. Spanbanden rug
3. Zijbescherming
4. Zittingbespanning
5. Voetsteun
6. Voorwielen
7. Voetplaten
8. Vork
9. Quick release assen
10. Wielvergrendelingen
11. Hoepel
12. Achterwiel



57



- FAUTEUIL ROULANT:**
POIGNÉES DE POUSSÉE
TOILE DE DOSSIER
PROTÈGE-VÊTEMENT
TOILE DU SIÈGE
REPOSE-PIEDS
ROUES AVANT
PALETTE
FOURCHE
CHÂSSIS PLIANT
FREINS
ROUE ARRIÈRE
MANCHETTE





	1090 ↑ 975		700 ↑ 580		970 ↑ 920		520 ↑ 360
	520 ↑ 470		420 ↑ 420		220 ↑ 220		535 ↑ 530
	425 ↑ 410		500 ↑ 380		1090 ↑ 975		310 ↑ 300
	850 ↑ 810		313 ↑ 183		+20 ↑ 0		MAX mm ↑ MIN mm
	10° ↑ 10°		10° ↑ 10°		10° ↑ 10°		MAX ↑ MIN
	3° ↑ 3°		80° ↑ 79°		115° ↑ 115°		MAX ↑ MIN
	13.4 ↑ 12.2		19.4 ↑ 18.0		125 ↑ ---		MAX kg ↑ MIN kg

Foreword


Dear Customer,


We are very happy that you have decided in favour of a high-quality SUNRISE MEDICAL product.

This user's manual will provide numerous tips and ideas so that your new wheelchair can become a trustworthy and reliable partner in your life.

We want you to be satisfied with our products and service. Sunrise Medical has been consistently working at continuously developing its products, for this reason, changes can occur in our palette of products with regard to form, technology and equipment. Consequently, no claims can be construed from the data or pictures contained in this user's manual.

The management system of SUNRISE MEDICAL is certified to ISO 13485 and ISO 14001.

 **As the manufacturer, SUNRISE MEDICAL, declares that this product conforms to the Medical Device Regulation (2017/745).**

 **As the manufacturer, SUNRISE MEDICAL, declares that the product conforms to the UK Medical Devices Regulation 2002 No. 618.**

NOTE:

General user advice.

Not following these instructions may result in physical injury, damage to the product or damage to the environment!

Notice to the user and/or patient: Any serious incident that has occurred in relation to the device should be reported to the manufacturer and the competent authority of the Member State in which the user and/or patient is established.

B4Me special adaptations

Sunrise Medical strongly recommends that in order to ensure that your B4Me product operates, and performs as intended by the manufacturer; all the user information supplied with your B4Me product is read and understood, before the product is first used.

Sunrise Medical also recommends that the user information is not discarded after reading it, but it is kept safely stored for future reference.

Medical Device Combinations

It may be possible to combine this Medical device with one or more other Medical Device or other product. Information on which combinations are possible can be found at www.Sunrisemedical.co.uk. All combinations listed have been validated to meet the General Safety and Performance Requirements, Annex I Nr. 14.1 of the Medical Device Regulation 2017/745.

Guidance on the combination, such as mounting, can be found at www.SunriseMedical.co.uk

Please contact your local, authorised SUNRISE MEDICAL dealer if you have any questions regarding the use, maintenance or safety of your wheelchair.

In case there is no authorised dealer in your area or you have any questions, contact Sunrise Medical either in writing or by telephone (contact addresses can be found on the back page).

Sunrise Medical
Thorns Road
Brierley Hill
West Midlands
DY5 2LD
England
Phone: 0845 605 66 88
Fax: 0845 605 66 89
www.SunriseMedical.com

Please keep a note of your local service agent's address and telephone number in the space below.

In the event of a breakdown, contact them and try to give all relevant details so they can help you quickly.

Symbol legend



IMPORTANT:

DO NOT USE YOUR WHEELCHAIR UNTIL THIS MANUAL HAS BEEN READ AND UNDERSTOOD.



DANGER!

Warning messages regarding possible risks of serious accident or death.



WARNING!

Warning messages regarding possible risks of injury.



CAUTION!

Warning messages regarding possible technical damage.

NOTE:

Information for operating the product.

Table of contents

Wheelchair Components	2
Foreword	5
Symbol legend	5
Table of contents	6
Use	6
Area of application	6
General safety notes and driving restrictions	7
Warranty	8
Transportability	9
Handling	11
Options - Step Tubes	11
Options - Brakes	11
Options - Crutch Holder	11
Options - Footplates	12
Options - Castors	12
Options - Side Guard	13
Options - Back Rest	13
Options - Therapy Table	13
Options - Anti Tip Tubes	13
Options - Lap Belt	13
Name Plate	15
Tyres and Mounting	16
Daily Checks	16
Trouble Shooting	16
Maintenance and Care	16
Disposal / Recycling of Materials	16
Technical Data	17
Seat Height Adjustment	17
Torque	17

Use

Steel wheelchairs are exclusively for a user who is unable to walk, has limited limited mobility, for their own personal use in- and outdoor on dry, firm and level surface terrains (self propelling or attendant push).

The maximum weight limit (includes both the user and any weight of accessories fitted to the wheelchair) is marked on the serial number label, which is affixed to the crossbar or stabiliser bar below the seat.

Warranty can only be taken on if the product is used under the specified conditions and for the intended purposes.

The intended lifetime of the wheelchair is 5 years. DO NOT use or fit any 3rd party components to the wheelchair unless they are officially approved by Sunrise Medical.

Area of application

Indications

The varieties of fitting variants, as well as the modular design, mean that it can be used by those who cannot walk or have limited mobility because of:

- Paralysis
- Loss of extremity (leg amputation)
- Extremity defect deformity
- Joint contractures/joint injuries
- Illnesses such as heart and circulation deficiencies, disturbance of equilibrium or cachexia, Neurological disease patterns, Muscle dystrophy, Hemiplegia as well as for elderly people who still have strength in the upper body.

Contraindications

The wheelchair shall not be used without attendant in case of:

- Perception disorder
- Imbalance
- Loss of both arms, if not supported by a caregiver
- Joint contracture or joint damage on both arms
- Seating disability

When considering provision, please also note the body size, weight, physical and psychological constitution, the age of the person, living conditions and environment.

NOTE:

Please note that driving a wheelchair requires sufficient cognitive, physical and visual skills. The user must be able to assess the effects of actions during the operation of the wheelchair and, if necessary, to correct them. These capabilities and the safe use of the additionally attached components cannot be assessed by Sunrise Medical as a manufacturer. We cannot accept any liability for any damage resulting from this.

Please refer to the operating instructions of the wheelchair and the additionally mounted components. Instruct the user in the safe use of the wheelchair and the additionally mounted components. Inform users of specific warnings that need to be read, understood, and respected.

General safety notes and driving restrictions

The engineering and construction of this wheelchair has been designed to provide maximum safety. International safety standards currently in force have either been fulfilled or exceeded in parts. Nevertheless, users may put themselves at risk by improperly using their wheelchairs. For your own safety, the following rules must be strictly observed.

Unprofessional or erroneous changes or adjustments increase the risk of accident. As a wheelchair user, you are also part of the daily traffic on streets and pavements, just like anyone else. We would like to remind you that you are therefore also subject to any and all traffic laws.

Be careful during your first ride in this wheelchair. Get to know your wheelchair.

Before each use, the following should be checked:

- Fixed axles or Quick-release axles on the rear wheels.
- Velcro on seats and backrests
- Tyres, tyre pressure and wheel locks.

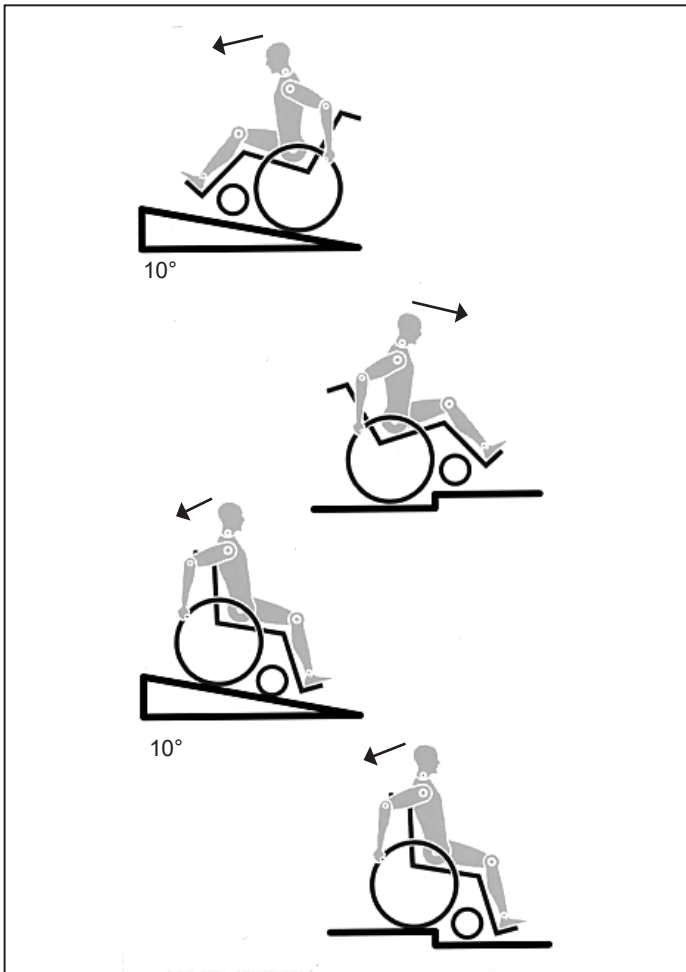
Before changing any of the adjustments of this wheelchair, it is important to read the corresponding section of the user's manual.

It is possible that potholes or uneven ground could cause this wheelchair to tip over, especially when riding uphill or downhill.

When riding forwards over a step or up an incline, the body should be leaning forward.

DANGER!

- NEVER exceed the maximum load of 125 kg for user plus any items carried on the wheelchair. If you exceed the maximum load, this can lead to damage to the chair, or you may fall or tip over, lose control and may lead to serious injury of the user and other people.
- When it is dark, please wear light clothing or clothing with reflectors, so that you can be seen more easily. Make sure that the reflectors on the side and back of the wheelchair are clearly visible.
- We would also recommend that you fit an active light.



DANGER!

- To avoid falls and dangerous situations, you should first practice using your new wheelchair on level ground with good visibility.
- When getting on or off the wheelchair, do not use the footboards.
- These should be flipped up beforehand and swung to the outside as far as possible. Always position yourself as close as possible to the place where you wish to transfer to.
- Only use your wheelchair with care. For example, avoid travelling against an obstacle without braking (step, kerb edge) or dropping down gaps.
- The wheel locks are not intended to stop your wheelchair in motion. They are only there to ensure that your wheelchair does not begin rolling unintentionally. When you stop on uneven ground, you should always use the wheel locks to prevent unintended movement. Always apply both wheel locks; otherwise, your wheelchair could tip over.
- Explore the effects of changing the centre of gravity on the behaviour of the wheelchair in use, for example on inclines, slopes, all gradients or when overcoming obstacles. Do this with the secure aid of a helper.
- With extreme settings (e.g. rear wheels in the most forward position) and less than perfect posture, the wheelchair may tip over even on a level surface.
- Lean your upper body further forward when going up slopes and steps.
- Lean your upper body further back when going down slopes and steps. Never try to climb and descend a slope diagonally.
- Avoid using an escalator which may lead to serious injury in the event of a fall.
- Do not use the wheelchair on slopes more than 10°. The Dynamic safe slope is dependant on the chair configuration, the users abilities and the style of riding. As the users abilities and style of riding cannot be predetermined then the max safe slope cannot be determined. Therefore this must be determined by the user with the assistance of an attendant to prevent tipping. It is strongly recommended that inexperienced users have Anti-tips fitted.
- It is possible that potholes or uneven ground could cause this wheelchair to tip over, especially when riding uphill or downhill.
- Do not use your wheelchair on muddy or icy ground.
- Do not use your wheelchair where pedestrians are not allowed.
- To avoid hand injuries do not grab in between the spokes or between the rear wheel and wheel lock when driving the wheelchair.
- In particular when using lightweight metal handrims, fingers will easily become hot when braking from a high speed or on long inclines.
- Only attempt stairs with the help of an attendant. There is equipment available to help you, e.g. climbing ramps or lifts, please use them. If there is no such equipment available, then the wheelchair must be tipped and pushed, never carried, over the steps (2 helpers). We recommend that users over 100 kg in weight are not transferred in this way. In general, any anti-tip tubes fitted must be set beforehand, so that they cannot touch the steps, as otherwise this could lead to a serious tumble. Afterwards the anti-tip tubes must be set back to their correct position.
- Make sure that the attendant only holds the wheelchair using securely mounted parts. Do not use removable parts (e.g. not on the footrests or the side guards).
- When using the lifting ramp make sure that the anti-tip tubes fitted are positioned outside the danger area.
- Secure your wheelchair on uneven ground or when transferring, e.g. into a car, by using the brakes.
- If and whenever possible, during a journey in a specially fitted vehicle for disabled people, vehicle occupants should use the seats in the vehicle and the appropriate restraint system. This is the only way to ensure that occupants will have the maximum protection if there is an accident.

⚠ DANGER!

- Depending on the diameter and setting of the castors, as well as the centre of gravity setting of the wheelchair, the castors may begin to wobble at high speeds. This can lead to castor seizure and the wheelchair may tip over. Therefore, please make sure that the castors are adjusted correctly (see the Chapter "Castors").
- In particular, do not travel on an incline without brakes, travel at a reduced speed. We recommend that novice users use anti-tip tubes.
- Anti-tip tubes should prevent the chair tipping over backwards unintentionally. Under no circumstances should they take the place of transit wheels, and be used to transport a person in a wheelchair with the rear wheels removed.
- When reaching for objects (which are in front of, to the side or behind the wheelchair) make sure that you do not lean too far out of the wheelchair, as if you change the centre of gravity there is a risk of tipping or rolling over. The hanging of additional load (back pack or similar items) onto your chair back posts can affect the rearward stability of your chair, especially when used in combination with recliner backrests. This can cause the chair to tip backwards causing injury.
- For high amputees you must use anti-tip tubes.
- Before setting off, check that your tyre pressure is correct. For rear wheels it should be at least 3.5 bar (350 kPa). The max. pressure is indicated on the tyre. The knee-lever brakes will only work if there is sufficient tyre pressure and if the correct setting has been made (see the Chapter on "Brakes").
- If the seat and back sling are damaged, you must replace them immediately.
- Be careful with fire, in particular with burning cigarettes. Seat and back slings can be set alight.
- If the wheelchair is subject to direct sunlight / cold temperature for a long period of time, then parts of the wheelchair (e.g. frame, legrests, brakes and side guard) may become hot (>41°C) / very cold (<0°).
- Always make sure that, if fitted, the quick-release axles on the rear wheels are set properly and lock in (locking ball bearings are showing completely through the axle sleeve). If the button on the quick-release axle is not pressed in, the rear wheel cannot be removed.

⚠ CAUTION !

- The effect of the knee-lever brake as well as the general driving characteristics are dependant on tyre pressure. The wheelchair is significantly lighter and easier to manoeuvre when the rear wheels are pumped up correctly and both wheels have the same pressure.
- Make sure that your tyres have sufficient tread!
- Please note that you are subject to any and all traffic laws when driving in public traffic.
- Always be careful when handling or adjusting the wheelchair!
- Adjustments which require tools should always be done by authorized dealers.
- Clean the wheelchair regularly to avoid rust and salt corrosion.
- Check the rivets, nuts and bolts to make sure they are tight and that no wheelchair parts will come loose.
- With all moving parts there is a natural risk of finger traps. Please handle with care.
- The products shown and described in this manual may not be exactly the same in every detail as your own model. However, all instructions are still entirely relevant, irrespective of detail differences.
- The manufacturer reserves the right to alter without notice any weights, measurements or other technical data shown in this manual. All figures, measurements and capacities shown in this manual are approximate and do not constitute specifications.

⚠ DANGER!

CHOKING HAZARD – This mobility aid uses small parts which under certain circumstances may present a choking hazard to young children.

LIFETIME

The expected lifetime of this product is 5 years provided that: it is used in strict accordance with the intended use all service and maintenance requirements are met.

Warranty**GUARANTEE****THIS GUARANTEE DOES NOT AFFECT YOUR LEGAL RIGHTS IN ANY WAY.**

Sunrise Medical* provides a guarantee, as set out in the warranty conditions, for wheelchairs to its customers covering the following

Warranty conditions

1. Should a part or parts of the wheelchair require repair or replacement as a result of a manufacturing and/or material fault within 24 months or for frame and cross-braces within 5 years after delivery to the customer, then the affected part or parts will be repaired or replaced free of charge. (Batteries are guaranteed for a period of 12 months subject to the correct battery care plan being followed)
2. To enforce the warranty, please contact Sunrise Medical Customer Service with the exact details of the nature of the difficulty. Should you be using the wheelchair outside the area covered by the Sunrise Medical customer service agent, repairs or replacement will be carried out by another agency as designated by the manufacturer. The wheelchair must be repaired by a Sunrise Medical designated Customer Service agent, (dealer).
3. For parts, which have been repaired or exchanged within the scope of this warranty, we provide a warranty in accordance with these warranty conditions for the remaining warranty period for the wheelchair in accordance with point 1).
4. For original spare parts which have been fitted at the customer's expense, these will have a 12 months guarantee, (following the fitting), in accordance with these warranty conditions.
5. Consumable parts such as pads, tyres, inner tubes and similar parts are excluded from the warranty, except in the case that premature wear of the part is the direct result of a manufacturing fault.
6. Claims from this warranty shall not arise, if a repair or replacement of a wheelchair or a part is required for the following reasons:
 - a) The product or part has not been maintained or serviced in accordance with the manufacturer's recommendations as shown in the User Instructions and/or the Service Instructions.
 - b) Accessories have been used which are not specified as original accessories.
 - c) The wheelchair or part having been damaged by neglect, accident or improper use.
 - d) Changes/modifications have been made to the wheelchair or parts, which deviate from the manufacturer's specifications.
 - e) Repairs have been carried out, before our Customer Service has been informed of the circumstances.
7. This guarantee is subject to the law of the country in which the product was purchased from Sunrise Medical"

* Means the Sunrise Medical facility from which the product was purchased.

Transportability

⚠ DANGER!

There is a risk of serious injury or death if this advice is ignored!

TRANSPORTATION OF YOUR WHEELCHAIR WITHIN A VEHICLE:

A wheelchair secured in a vehicle will not provide the equivalent level of safety and security as a vehicle seating system. It is always recommended that the user transfers to the vehicle seating. It is recognised that this is not always practical for the user to be transferred and in these circumstances, where the user must be transported whilst in the wheelchair, the following advice must be followed:

1. Confirm that the vehicle is suitably equipped to transport a passenger in a wheelchair, and ensure the method of access/ egress is suitable for your wheelchair type. The vehicle should have the floor strength to take the combined weight of the user, the wheel chair and accessories.
2. Sufficient space should be available around the wheelchair to enable clear access to attach, tighten and release the wheelchair and occupant tie down restraints and safety belts.
3. The occupied wheelchair must be located in a forward facing position and secured by the wheelchair tie down and occupant restraint straps (WTORS tie downs meeting the requirements of ISO 10542 or SAE J2249) in accordance with the WTORS manufacturer's instructions.
4. The wheelchair's use in other positions within a vehicle has not been tested e.g. transportation in a side facing position must not be carried out under any circumstances (Fig. A).
5. The wheelchair should be secured by a Tie Down Restraint system, conforming to ISO 10542 or SAE J2249 with non-adjustable front straps and adjustable rear straps, which typically use Karabiner clips/S hooks and tongue and buckle fittings. These restraints generally comprise of 4 individual straps that are attached to each corner of the wheelchair.
6. The tie-down restraints should be fitted to the main frame of the wheelchair as indicated in the diagram on the following page, and not to any attachments or accessories, e.g. not around the spokes of wheels, brakes or footrests.

7. The tie-down restraints should be attached as close as possible at an angle of 45 degrees and tightened securely in accordance with the manufacturer's instructions.

8. Alterations or substitutions must not be made to the wheelchair securement points or to structural and frame or components without consulting the manufacturer. Failure to do so will invalidate the ability of a Sunrise Medical wheelchair to be transported within a vehicle.

9. Both pelvic and upper torso restraint belts must be used to restrain the occupant to reduce the possibility of head and chest impacts with the vehicle components and serious risk of injury to the user and other vehicle occupants. (Fig B) The upper torso restraint belt should be mounted to the vehicle "B" pillar - failure to do so will increase the risk of serious abdominal injuries to the user.

10. A head restraint suitable for transportation (see label on headrest) must be fitted and suitably positioned at all times during transportation.

11. Postural supports (lap straps, lap belts) should not be used or relied on for occupant restraint in a moving vehicle unless they are labelled as meeting the requirements specified in ISO 7176-19 or SAE J2249.

12. The safety of the user during transportation depends upon the diligence of the person securing the tie-down restraints and they should have received appropriate instructions and/or training in their use.

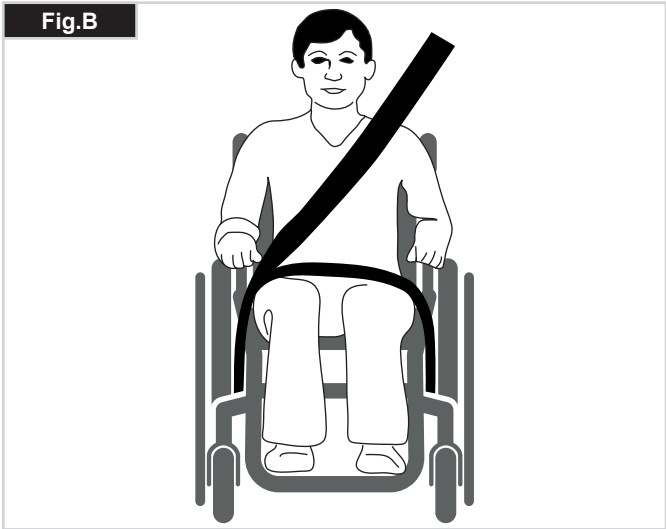
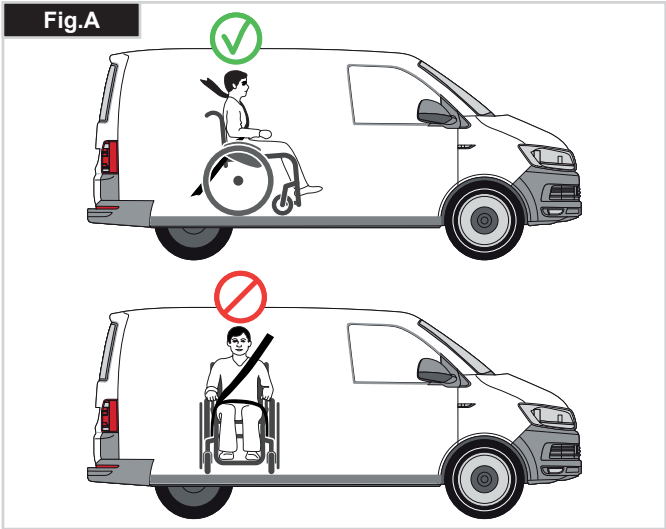
13. Wherever possible remove and stow safely away from the wheelchair all auxiliary equipment, for example: Crutches, Loose cushions and Tray Tables.

14. Articulating/elevating leg rest should not be used in the elevated position when the wheelchair and user are being transported and the wheelchair is restrained using Wheelchair Transport and Occupant Restraints.

15. Reclining backrests should be returned to an upright position.

16. The manual brakes must be firmly applied.

17. Restraints should be mounted to the vehicle "B" pillar and should not be held away from the body by wheelchair components such as armrest or wheels.



Transportability >>>

OCCUPANT RESTRAINTS INSTRUCTION:

1. The pelvic restraint belt must be worn low across the front of the pelvis so that the angle of the pelvic belt is within the preferred zone of 30 to 75 degrees to the horizontal. A steeper (greater) angle within the preferred zone is desirable i.e. closer to, but never exceeding 75degrees. (Fig C)
2. The upper torso restraint belt must fit over the shoulder and across the chest as illustrated Fig d and e
 Restraint belts must be adjusted as tightly as possible consistent with user comfort.
 Restraint belt webbing must not be twisted when in use.
 The upper torso restraint belt must fit over the shoulder and across the shoulder as illustrated in Fig D and E.
3. The attachment points to the chair are the inner front side frame just above the castor, and the rear side frame. The straps are fitted around the side frames at the intersection of the horizontal and vertical frame tubes. (See Figs G - K)
4. The tie down symbol (Fig F) on the wheelchair frame indicates the position of the wheelchair restraint straps. The straps are then tensioned after the front straps have been fitted to secure the wheelchair.

USER WEIGHT LESS THAN 22 kg

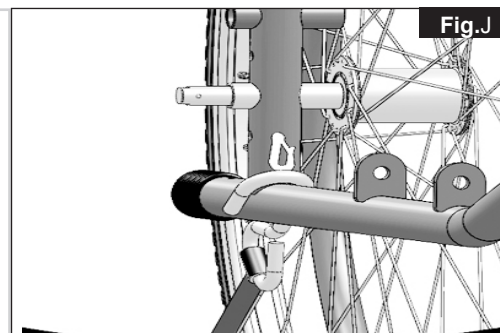
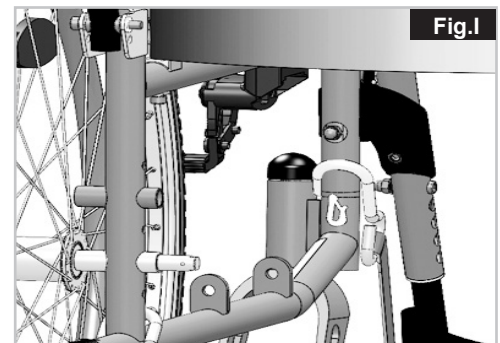
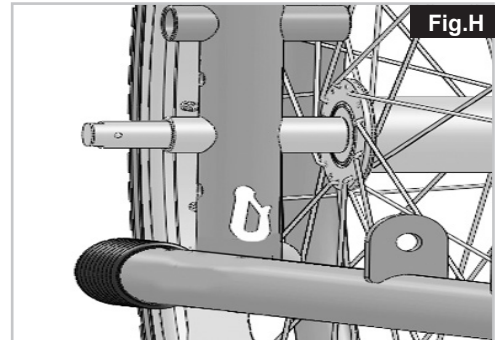
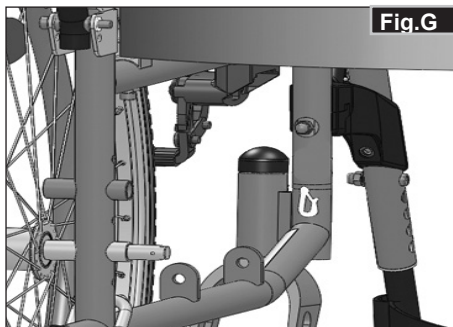
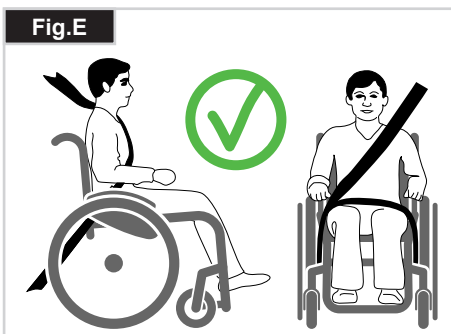
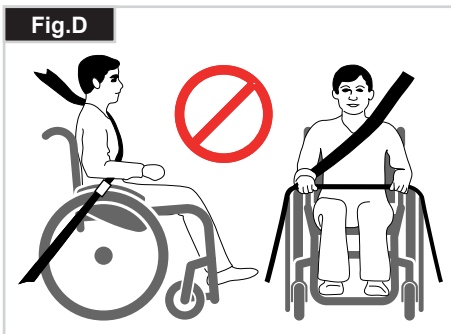
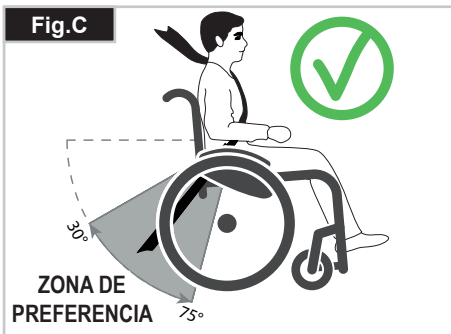
When the user being transported is a child, less than 22Kg mass and the vehicle involved has less than eight (8) seated passengers it is recommended that they be transferred to an UNCE Regulation 44 compliant child restraint system (CRS).

This type of restraint system provides a more effective occupant restraint system than the conventional 3 point occupant restraint system and some CRS systems also include additional postural supports to assist in maintaining the position of the child when seated. Parents or care providers may consider the option, in some circumstances, for their child is to remain in their wheelchair whilst in transport due to the level of posture control and comfort provided by the set up in the wheelchair.

We would recommend in such circumstances that a risk assessment be carried out by your healthcare professional and relevant competent persons.

Positioning of wheelchair tie down restraints on wheelchair:

1. Location of the front and rear tie down labels (Fig.G - H).
2. Position of the front, (Fig.I) and rear, (Fig.J), wheelchair tie down restraint and the tie down label.
3. Side view of tie down straps, (Fig.K).



Handling

FOLDING UP

First remove the seat cushion from the wheelchair and flip up the (platform) footplate or the individual footrests. Take hold of the sling or the seat tubes in the middle, from the back and pull upwards. The wheelchair will then fold up. To fold your wheelchair so that it is as small as possible, e.g., to put into a car, you can remove the footrests (depending on the model). For this purpose, open the latch from the outside and swing the footrest to the side. Then the footrest only has to be drawn out of the receiver tube (Fig. 1).

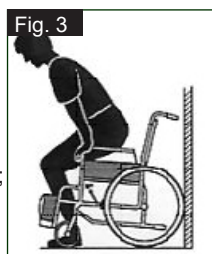


UNFOLDING

Press down on the seat tube (see figure). Your wheelchair is then unfolded. Now snap the seat tubing into position in the seat saddle. This can be facilitated by slightly tipping your wheelchair, as this means that the weight is taken off one of the rear wheels. **Be careful not to get your fingers caught in the cross-tube assembly.** Refit the seat cushion! (Fig. 2).

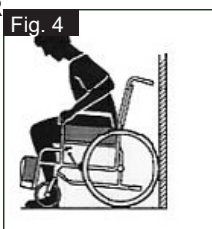
GETTING INTO YOUR WHEELCHAIR INDEPENDENTLY (FIG. 3)

- The wheelchair should be pushed up against a wall or solid piece of furniture;
- The brakes should be on;
- The footplates should be hinged up;
- The user can then lower himself into the chair;
- The footplates should then be pushed down and the feet rested on them in front of the heel loops.



GETTING OUT OF YOUR WHEELCHAIR INDEPENDENTLY (FIG. 4)

- The brakes should be on;
- The hinged footplates should be hinged up;
- With one hand on each armrest, the person should bend slightly forward to bring the body weight to the front of the seat, and with both feet firmly on the ground, one foot well back, push up into the upright position.



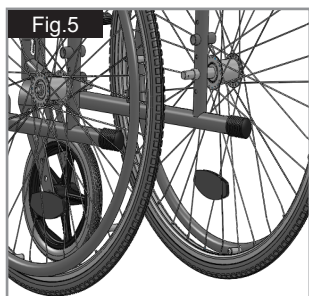
WARNING!

When standing, do not stand on the footplates or the wheelchair will tip up. It is easier and safer to get into your wheel chair if you turn the footplates up and out of the way or take them off the wheelchair.

Options - Step Tubes

STEP TUBES (FIG.5)

Step tubes are used by attendants to tip a wheelchair over an obstacle. Simply step on the tube to push a wheelchair, for example, over a kerb or step.



NOTE: Sunrise Medical strongly recommends the use of a step tube on any model where attendant use is the predominant intended use. Damage to the backposts may occur if you constantly use the backpost without a step tube, as a lever to pull back on to tip the wheelchair, in order to overcome obstacles.

Options - Brakes

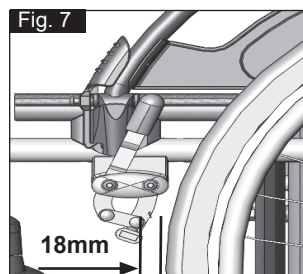
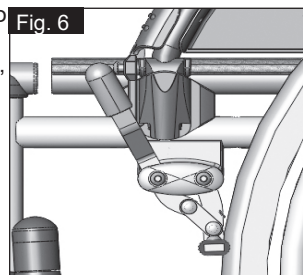
WHEEL LOCKS

Your wheelchair is equipped with two wheel locks. They are applied directly against the tyres. To engage, press both brake levers forward against the stops. To release the locks, pull the levers back to their original positions.

Braking power will decrease with:

- Worn tyre tread
- Tyre pressure that is too low
- Wet tyres
- Improperly adjusted wheel locks

The wheel locks have not been designed to be used as brakes for a moving wheelchair. The wheel locks should therefore never be used to brake a moving wheelchair. Always use the hand-rims for braking. Make sure that the gap between the tyres and wheel locks complies with given specifications. To readjust, loosen the screw and set the appropriate gap. Then re-tighten the screw (Fig. 6 + 7).



CAUTION!

After each adjustment of the rear wheels, check the wheel lock gap and re-adjust if necessary.

CAUTION!

Mounting the wheel lock too close towards the wheel will result in a higher effort to operate. This might cause the brake lever to break!

CAUTION!

Leaning onto the brake lever while transferring will cause the lever to break! Splashing water from tyres might cause the wheel lock to malfunction..

DRUM BRAKES

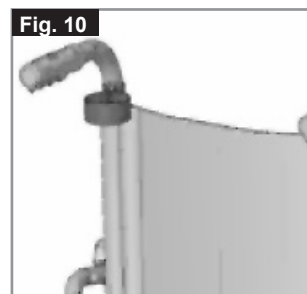
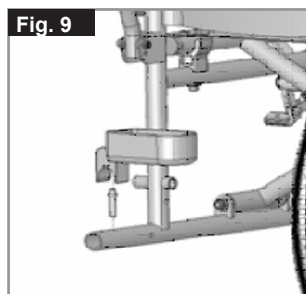
Drum brakes permit safe and convenient braking for an attendant. They can also be set with the aid of a locking lever (1) to prevent rolling. The lever must snap audibly into place. Drum brakes are not influenced by air pressure inside the tyres, (Fig.8.0).



WARNING!

- Drum brakes must only be adjusted by authorised dealers.
- Always operate the two brakes simultaneously to guarantee the control of the driving direction!
- Drum brakes can only be used as a dynamic brake to stop the wheelchair while driving.
- Always engage the wheel locks to secure the wheelchair during a short or long stop, or for transfer.

Options - Crutch Holder



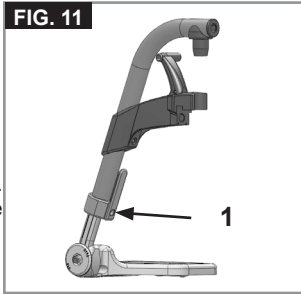
Options - Footplates

FOOTPLATES:

The footplates can be flipped up to make it easier to transfer to/from the chair. Each assembly weighs 1.0kg

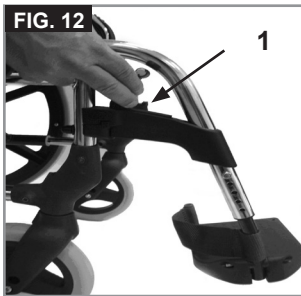
LOWER LEG LENGTH:

For users with longer legs, the leg support can be lowered to the appropriate level by using the screws (1). Loosen the screws, push the tubes to the desired position and then re-tighten the screws (see section on torque). There must always be a minimum gap of 2.5 cm between the footplates and the ground, (Fig.11).



FOOTRESTS AND LATCH

The legrests can be swung inwards under the seat sling or outwards. When fitting the legrests, the footrests must be pointing inwards or outwards. Then rotate the legrest inwards, until it locks into place. To remove, pull the lever (1), swing the footplate inwards or outwards and then lift the legrest out. Make sure that the legrest is locked into place correctly, (Fig.12).



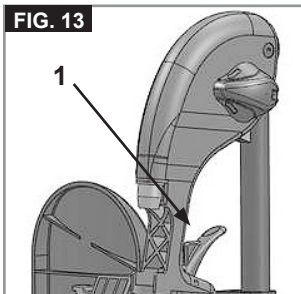
CAUTION!

- The legrests must not be used to lift or to carry the wheelchair.
- When getting on or off the wheelchair, do not use the footboards. These should be flipped up beforehand or the footrest should be swung to the outside as far as possible.

OPTION ELEVATING LEGREST

(Fig 13-15)

To remove, pull the lever (1), swing the footplate outwards and then lift the legrest out.



HEIGHT ADJUSTMENT:

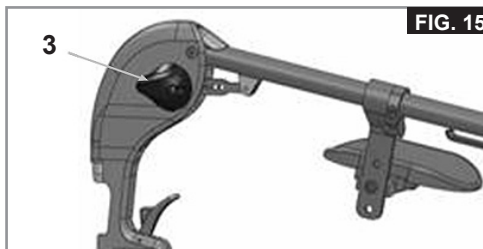
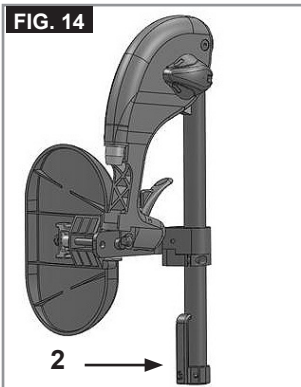
The lower leg length can be adjusted infinitely by releasing the screw (2). Adjust the suitable height and tighten the screw again.

CAUTION!

The distance between the footplate and the ground must be at least 40 mm.

ANGLE ADJUSTMENT:

Press the lever (3) downward with one hand while supporting the legrest with the other hand to take the load off. When a suitable angle is achieved, let go of the lever and the legrest will lock into one of the preset positions.



ADJUSTING THE CALF PAD

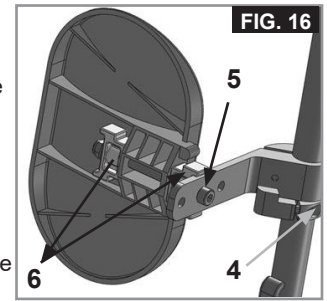
(Fig 16).

The calf pad can be adjusted as follows:

Height: Open bolt (4) and move the clamping piece to the desired position. By rotating the clamping piece also the angle can be adjusted.

Depth: Open bolt (5) and move the calf pad into the desired position.

Width: Open bolt (5) and position the spacers (6) behind the pad, to get the desired position.



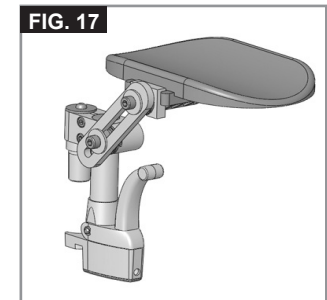
WARNING!

- Keep hands clear of the adjustable mechanism between the frame and the movable parts of the foot rest, while elevating or lowering the footrest.
- Always make sure that the fasteners are secure.
- The foot rests must not be used to lift or to carry the wheelchair.
- Risk of trapping fingers! When moving the foot rest up or down, do not put your fingers in the adjusting mechanism between the moving parts of the foot rest.

AMPUTEE SUPPORT

(Fig.17).

The Amputee Support can be adjusted in every direction as required.



Options - Castors

CASTORS, CASTOR PLATES, FORKS

The wheelchair may veer slightly to the right or left, or the castors may wobble. This may be caused by the following:

- Forward and/or reverse wheel motion has not been set properly.
- The castor angle has not been set correctly.
- Castor and/or rear wheel air pressure is incorrect; the wheels do not turn smoothly.

The wheelchair will not move in a straight line if the castors have not been properly adjusted. Castors should always be adjusted by an authorised dealer. The wheel locks must be checked every time the rear wheel position has been altered.

The seat height is determined by the castor and rear wheel position. The seat height can be adjusted by altering the position of the rear wheels and the castors

CAUTION!

- After adjusting the seat height, all screws must be re-tightened and the wheel lock must be readjusted.
- The castors must be set at 90°

Options - Side Guard

STANDARD SIDE GUARDS, FLIP-UP, WITH SHORT OR LONG ARMRESTS

The side guard with rounded off front edges will allow you to get up close to a table.

To flip the armrest up, push the lever (1), so that the side guard is released (Fig. 18).

The length of the armrest can be adjusted by releasing the screws (2), then move the armrest to the desired position and re-tighten the screws (Fig. 19).



WARNING!

Neither the side guards nor the armrests are to be used for lifting or carrying the wheelchair.

SIDEGUARD, FLIP-UP, REMOVABLE WITH SHORT OR LONG ARMRESTS, HEIGHT-ADJUSTABLE

The armrest can be height-adjusted as follows.

Push the lever downwards and move the armrest to the desired height (3).

Release the lever and press the armrest downwards until you hear it click into place. Always check that the sideguards are correctly in place.

To flip the armrest up, push the lever (1) so that the sideguard is released. You can adjust the length of the armrest by releasing the screws (2) push the armrest to the desired position and then re-tighten the screws (Fig. 20).



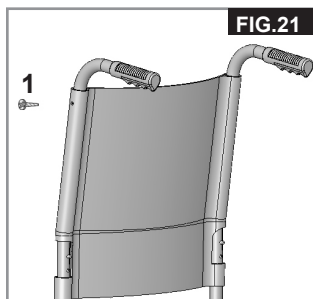
WARNING!

Neither the sideguards nor the armrests are to be used for lifting or carrying the wheelchair.

Options - Back Rest

HEIGHT-ADJUSTABLE BACKREST

The height of the backrest can be set to 2 different positions (41 cm and 42.5 cm). Release and remove the bolts (1), and push the backrest sling to the desired position. Tighten up the bolts again (Fig. 21).



Options - Therapy Table

THERAPY TABLE

The tray provides a flat surface for most activities. Before using a tray, it first has to be adjusted to the width of the seat by an authorised dealer. The user must be sitting in the wheelchair during this adjustment (Fig. 22).



Options - Anti Tip Tubes

ANTI-TIP TUBES

Anti-tip tubes provide additional safety for inexperienced users when they are still learning how to operate their wheelchair. They prevent a wheelchair from tipping over backwards.



By pushing on the release button (1), the safety wheels can be set upwards or removed. There must always be a gap of between 3 cm and 5 cm between the tube and the ground.

You must swing the safety wheels upwards when going up and down large obstacles (such as a kerb) to prevent them from touching the ground. Then rotate the safety wheels back down to the normal position (Fig. 23).

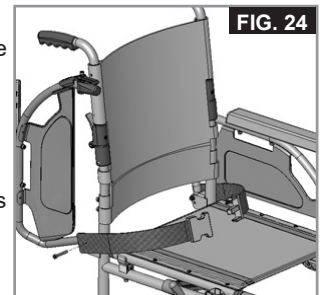
WARNING!

Incorrect setup of the anti-tips will increase the risk of a rearwards tip.

Options - Lap Belt

WARNING!

Before using your wheelchair ensure the seat belt is worn and correctly adjusted before use.



The lap belt is fitted to the wheelchair as shown in the illustrations. The seat belt comprises 2 halves. They are fitted using the existing arm rest fixing bolt fitted through the eyelet on the belt. The belt is routed under the rear of the side panel. Adjust the belt position so buckles are in the centre of the seat. (Fig.24-25)



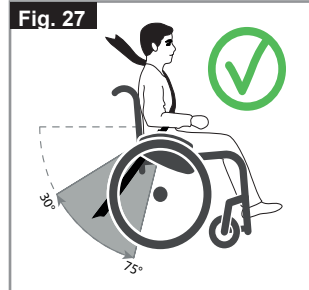
Adjust lap belt to suit the user's needs as follows:

To increase the belt length	To reduce the belt length	✓
Type B	Type B	Type B
Feed free belt through slide adjusters and male buckle to provide more belt length.	Feed free belt back through male buckle and slide adjusters.	Ensure belt is not looped at male buckle.

Options - Lap Belt>>>

When fastened check space between the lap belt and user, when correctly adjusted it should not be possible to insert more than the flat of the hand between the lap belt and the user. (Fig. 26)

Generally the Lap Belt should be fixed so that the straps sit at an angle of approximately 45°, and when correctly adjusted should not allow user to slip down in the seat. (Fig. 27)



<p>To fasten buckle: Firmly push male buckle into female buckle.</p>	<p>To release belt: Press exposed sides of male buckle and push towards centre / push the press button of the female buckle whilst gently pulling apart.</p>

ADVICE TO CLIENT

⚠ DANGER!

- Do not rely on the lap belt only when the wheelchair and occupant are transported in a vehicle, use the separate occupant lap and diagonal restraints provided in the vehicle.
- Before use we recommend that the lap belt be checked to ensure that it is adjusted correctly, free from any obstruction or adverse wear and that the buckle engages securely.
- Failure to make sure that the lap belt is secure and adjusted prior to use could cause serious injury to the user. e.g. too loose a strap may allow the user to slip down in the chair and risk suffocation.

MAINTENANCE:

Check lap belt and securing components at regular intervals for any sign of fraying or damage. Replace if necessary. Clean the lap belt with warm soapy water and allow it to dry.

⚠ DANGER!

The lap belt should be adjusted to suit the end user as detailed above Sunrise Medical also recommend that the length and fit of the belt is checked on a regular basis to reduce the risk of the end user inadvertently re-adjusting the belt to an excessive length. If in doubt about the use and operation of the seat belt then ask your health care professional, wheelchair dealer, carer or attendant for assistance.

Name Plate

NAMEPLATES

The nameplate is located on either the cross-tube assembly or the transverse frame tube, as well as on a label in the owner's manual. The nameplate indicates the exact model designation and other technical specifications. Please provide the following pieces of information whenever you have to order replacement parts or to file a claim:



	Sunrise Medical GmbH Kahlbachring 2-4 D-69254 Malsch / Germany	XXXX-XX-XX
TYPE:	Wheelchair, Rollstuhl, Fauteuil Roulant, Silla de Ruedas	SN XXXXXXXXXXXXXXXX
Unix2	ISO 7176-19:2008	
XXX kg	max X°	XXX mm
	XXX mm	

UK	RP	Sunrise Medical Limited Thorns Road, Brierley Hill West Midlands, DY5 2LD UNITED KINGDOM
-----------	-----------	---

Due to our policy of continuous improvement in the design of our wheelchairs, product specifications may vary slightly from the examples illustrated. All weight/dimensions and performance data are approximate and provided solely for guidance.

All wheelchairs must be used in accordance with the manufacturer's guidelines.

Sunrise Medical GmbH
Kahlbachring 2-4
69254 Malsch/Heidelberg
Deutschland
Tel.: +49 (0) 7253/980-0
Fax: +49 (0) 7253/980-222
kundenservice@sunrisemedical.de
www.SunriseMedical.de

TYPE:	Product Name/SKU Number.
max X°	Maximum safe slope with anti-tip tubes fitted, Depends on wheelchair setting, posture and physical capabilities of the user.
XXX mm	Seat width.
XXX mm	Seat depth.
XXX kg	Load Maximum.
	UKCA Mark.
	CE Mark.
	Consult instructions for use.
XXXX-XX-XX	Date of manufacture.
	Serial number.
	This symbol means Medical Device.
	Manufacturer's address.
	Crash tested according to ISO 7176-19:2008.
	Importer's address
	UK Responsible Person
	Swiss Representative's address

Tyres and Mounting

TYRES AND MOUNTING

Solid tyres are fitted as standard from the factory.

If pneumatic tyres are used, make sure that you maintain the correct tyre pressure, as this can have an effect on wheelchair performance. If the tyre pressure is too low, rolling resistance will increase, requiring more effort to move the chair forward. Low tyre pressure also has a negative impact on manoeuvrability. If the tyre pressure is too high, the tyre could burst. The correct pressure for a given tyre is printed on the surface of the tyre itself.

Tyres can be mounted the same way as an ordinary bicycle tyre. Before installing a new inner tube, you should always make sure that the base of the rim and the interior of the tyre are free of foreign objects. Check the pressure after mounting or repairing a tyre. It is critical to your safety and to the wheelchair's performance that regulation air pressure be maintained and that tyres be in good condition.

Daily Checks



CAUTION!

As the user, you are the first person to notice any possible defects. We therefore recommend that before each use, you check the items in the following list:

- Check for correct tyre pressures
 - Check that the brakes work correctly
 - Check that all removable parts are secure, e.g. armrest, footrest, quick-release axle etc.
 - Check for visible damage e.g. on the frame, backrest, seat sling and back sling, wheels, footplate etc
- If there is any damage or malfunction, please contact your authorised dealer.

Trouble Shooting

Wheelchair pulls to one side

- Check tyre pressure (pneumatic tyres only).
- Check to make sure wheel turns easily (bearings, axle).
- Check the castors are set consistently and make proper contact with the ground.
- Ensure castor fork bearings rotate freely.

Castors begin to wobble

- Check to make sure all bolts are secure; tighten if necessary (see the section on torque).
- Check to make sure both castors are making proper contact with the ground.

Wheelchair squeaks and rattles

- Check to make sure all bolts are secure; tighten if necessary (see the section on torque).
- Apply small amount of lubrication to spots where movable parts come in contact with one another.

Wheelchair begins to wobble

- Check angle at which castors are set.
- Check all tyres for damage or wear.
- Check to see if rear wheels are adjusted or fixed unevenly.

Maintenance and Care

MAINTENANCE

- Check the tyre pressure every 4 weeks. Check all tyres for wear and damage.
- Check the brakes approximately every 4 weeks to make sure that they are working properly and are easy to use.
- Change tyres as you would an ordinary bicycle tyre.
- All of the joints that are critical to using your wheelchair safely are self-locking nuts. Please check every three months to make sure that all bolts are secure (see the section on torque). Safety nuts should only be used once and should be replaced after use.

- Please use only mild household cleansers when your wheelchair is dirty. Use only soap and water when cleaning the seat upholstery and lap belt.
- If your wheelchair should ever get wet, please dry it after use, to avoid rust and salt corrosion.
- A small amount of sewing-machine oil should be applied to quick release axles approximately every 8 weeks. Depending on the frequency and type of use, we recommend taking your wheelchair to your authorised dealer every 12 months to have it inspected by trained personnel.



CAUTION!

Sand and sea water (or salt in the winter) can damage the bearings of the front and rear wheels. Clean the wheelchair thoroughly after exposure.

The following parts can be removed and sent to the manufacturer / dealer for repair:

Rear wheels, Armrest, Hanger, Anti – tips. These components are available as spares. More details can be found in the parts manual.

HYGIENE MEASURES WHEN BEING RE-USED:

Prior to the wheelchair being re-used, it must be carefully prepared. All surfaces which come into contact with the user must be treated with a disinfection spray.

To do this, you must use a disinfectant as authorised/recommended in your country, for rapid alcohol-based disinfection for medical products and medical devices, which must be disinfected quickly. Please be aware of the manufacturer's instructions for the disinfectant you are using.

In general, a complete disinfection cannot be guaranteed on seams. We therefore recommend that you dispose of seat and back slings to avoid micro-bacterial contamination with active agents according to your local infection protection law.

STORAGE

Please store/keep the wheelchair in a dry place.

Disposal / Recycling of Materials

NOTE: If the wheelchair has been supplied to you free of charge it may not belong to you. If it is no longer required follow any instructions given by the organisation issuing the wheelchair in order that it may be returned to them.

The following information describes the materials used in the wheelchair in relation to the disposal or re-cycling of the wheelchair and its packaging. Specific waste disposal or recycling regulations may be in force locally and these should be taken into consideration when disposal arrangements are made. (This may include the cleaning or decontamination of the wheelchair before disposal).

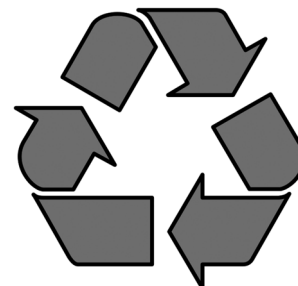
Steel: Fasteners, QR axle, side frames, armrests, frame, leg rests, push handles.

Plastic: Handgrips, castor forks, tube plugs, castor wheels, footplates, armpads and 12" wheel/tyre, wheels, side guards.

Packaging: Low density polythene bag, cardboard box.

Upholstery: Woven polyester with PVC coatings and expanded combustion modified foam.

Disposal or recycling should be done through a licensed agent or authorised place of disposal. Alternatively your wheelchair may be returned to your dealer for disposal.



Technical Data

MAXIMUM LOAD: 125 KG

ALSO SEE PAGE 4

In Accordance with EN12183: 2009 all there listed parts (seat - back upholstery, arm pad, side panel...) are fire resistant as per EN1021-2 .

The Dynamic safe slope is dependant on the chair configuration, the users abilities and the style of riding. As the users abilities and style of riding cannot be predetermined then the max safe slope cannot be determined. Therefore this must be determined by the user with the assistance of an attendant to prevent tipping. It is strongly recommended that inexperienced users have Ant-tips fitted.

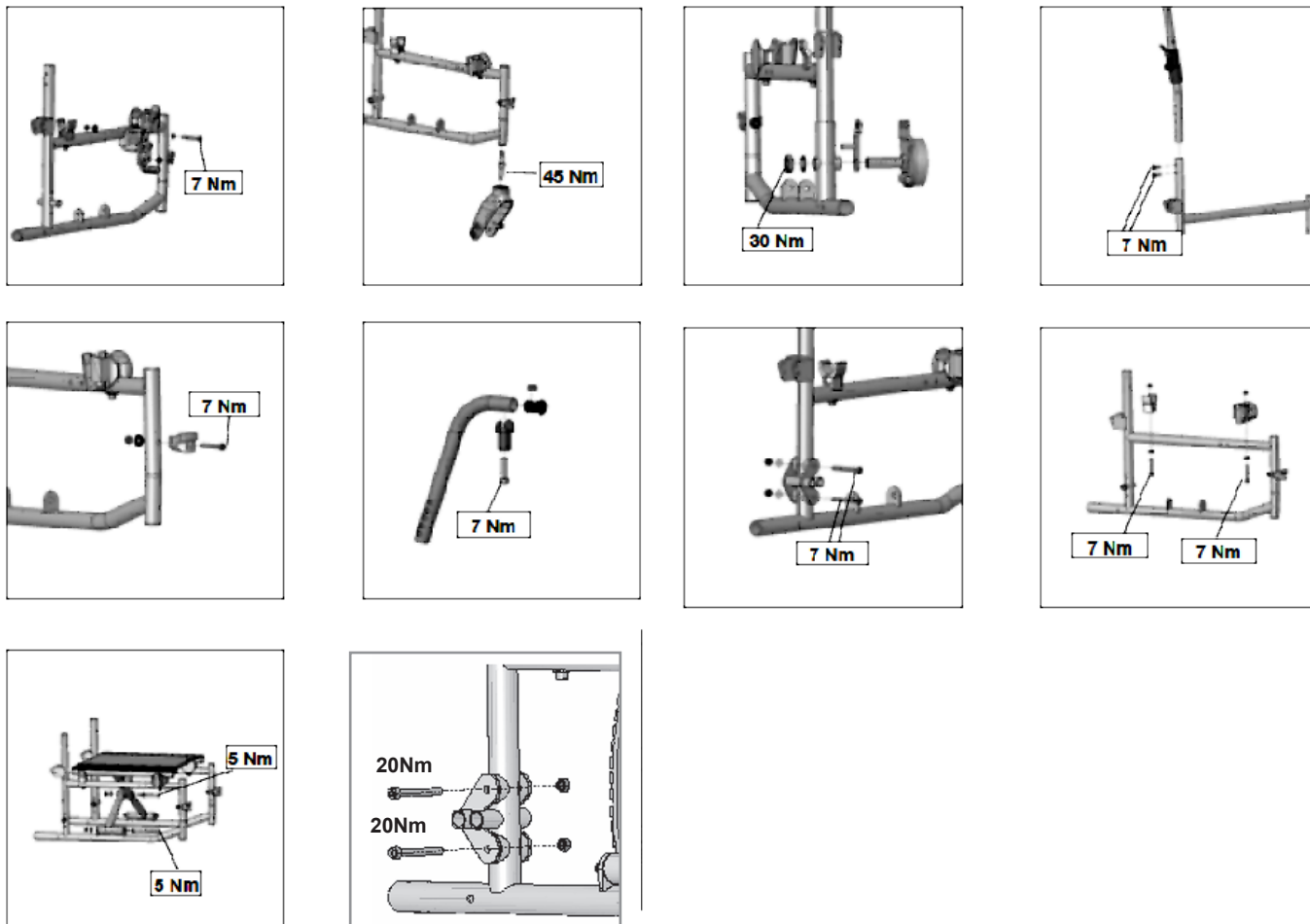
The wheelchair conforms to the following standards:

- a) Requirements and test methods for static, impact and fatigue strengths (ISO 7176-8)
- b) Requirements for resistance to ignition in accordance with ISO 7176-16 (EN 1021-1)

Seat Height Adjustment

470 mm	8"	5	24"	B
510 mm	8"	1	24"	A

Torque



Vorwort

SEHR GEEHRTER KUNDE,

Wir freuen uns sehr, dass Sie ein Spitzenqualitätsprodukt von SUNRISE MEDICAL gewählt haben.

Dieses Handbuch vermittelt Ihnen zahlreiche Tipps und Ideen, damit Ihr neuer Rollstuhl ein vertrauter und zuverlässiger Partner im Leben werden kann.

Wir möchten, dass Sie mit unseren Produkten und unserem Service zufrieden sind. Sunrise Medical arbeitet daher ständig an der Weiterentwicklung seiner Produkte. Aus diesem Grund können in unserer Produktreihe Änderungen in der Form, Technologie und Ausstattung vorkommen. Es können also aus den Angaben und Abbildungen in diesem Handbuch keine Ansprüche abgeleitet werden.

Das Managementsystem von SUNRISE MEDICAL ist zertifiziert nach DIN ISO 13485 und ISO 14001.

 **SUNRISE MEDICAL erklärt als Hersteller, dass dieses Produkt mit der Medizinprodukte-Verordnung (2017/745) der EU konform ist.**

HINWEIS:

Allgemeine Empfehlungen für den Benutzer.

Wenn diese Anweisungen nicht beachtet werden, kann das zu Körperverletzung, Beschädigung des Produkts oder Umweltschäden führen!

Hinweis an den Anwender und/oder den Patienten: Alle im Zusammenhang mit dem Produkt aufgetretenen schwerwiegenden Vorfälle sind dem Hersteller und der zuständigen Behörde des Mitgliedstaats, in dem der Anwender und/oder der Patient niedergelassen ist, zu melden.

FMG (Für Mich Gebaut) Sonderbauten

Sunrise Medical empfiehlt dringend, alle Informationen für den Benutzer, die mit Ihrem FMG-Produkt mitgeliefert werden, vor dem erstmaligen Gebrauch sorgfältig durchzulesen und sicherzustellen, dass alles verstanden wurde. Dadurch wird gewährleistet, dass Ihr FMG-Produkt wie vom Hersteller vorgesehen funktioniert.

Sunrise Medical empfiehlt die Benutzerinformationen und Dokumente für einen späteren Gebrauch sicher aufzubewahren und nicht zu entsorgen.

Kombinationen von Medizinprodukten

Dieses Medizinprodukt kann unter Umständen mit einem oder mehreren anderen Medizinprodukten bzw. anderen Produkten kombiniert werden. Informationen darüber, welche Kombinationen möglich sind, finden Sie unter www.Sunrisemedical.de. Alle aufgeführten Kombinationen wurden überprüft, um die grundlegenden Sicherheits- und Leistungsanforderungen gemäß Anhang I Nr. 14.1 der EU-Verordnung 2017/745 über Medizinprodukte zu erfüllen.

Leitlinien zum Kombinieren wie etwa die Montage finden Sie unter www.SunriseMedical.de


Fragen zum Gebrauch, zur Wartung und Sicherheit Ihres Rollstuhls richten Sie bitte an den zuständigen, zugelassenen SUNRISE MEDICAL Fachhändler.


Falls sich kein zuständiger Fachhändler in Ihrer Nähe befindet oder falls Sie Fragen haben, können Sie Sunrise Medical auch schriftlich oder telefonisch erreichen (Kontaktadressen auf der letzten Seite).

Sunrise Medical GmbH
Kahlbachring 2-4
69254 Malsch
Deutschland
Tel.: +49 (0) 7253 980 400
www.sunrisemedical.de

Bitte notieren Sie die Adresse und Telefonnummer Ihres zuständigen Kundendienstes unten in dem dafür vorgesehenen Feld. Benachrichtigen Sie ihn im Fall einer Panne, und versuchen Sie, alle relevanten Einzelheiten anzugeben, damit Ihnen rasch geholfen werden kann.

Legende für die Symbole

 **WICHTIG:**
BENUTZEN SIE IHREN ROLLSTUHL ERST, WENN SIE DIESES HANDBUCH VOLLSTÄNDIG GELESEN UND VERSTANDEN HABEN.

 **GEFAHR!**
Warnungen zu möglichen Gefahren von schweren Unfällen oder Lebensgefahr.

 **WARNUNG!**
Warnungen zu möglichen Verletzungsgefahren.

 **VORSICHT!**
Warnungen zu möglichen technischen Schäden.

HINWEIS:
Informationen zur Bedienung des Produkts.

Inhaltsverzeichnis	
Rollstuhlkomponenten	2
Vorwort	18
Legende für die Symbole	18
Inhaltsverzeichnis	19
Verwendung	19
Verwendungszweck	19
Allgemeine Sicherheitshinweise und Fahrbeschränkungen	20
Garantie	21
Transport	22
Handhabung	24
Optionen - Ankippbügel	24
Optionen - Bremsen	24
Optionen - Stockhalter	24
Optionen - Fußplatten	25
Optionen - Lenkräder	25
Optionen - Seitenteil	26
Optionen - Rücken	26
Optionen - Therapietisch	26
Optionen - Sicherheitsräder	26
Optionen – Beckengurt	26
Typenschild	28
Reifen und Montage	29
Tägliche Überprüfungen	29
Fehlersuche	29
Wartung und Pflege	29
Entsorgung / Recycling von Materialien	29
Technische Daten	30
Sitzhöhenverstellung	30
Drehmoment	30

Verwendung

Stahlrollstühle sind ausschließlich für gehunfähige oder gehbehinderte Menschen zum individuellen Gebrauch im Haus und im Freien auf trockenem, festem und ebenem Untergrund bestimmt (Selbstfahrer oder Schieben durch Begleitperson).

Das Höchstgewicht (das Körpergewicht des Benutzers und das Gewicht des im Rollstuhl eingebauten Zubehörs) ist auf dem Etikett mit der Seriennummer angegeben, das an der Querstange oder an der Stabilisierungsstange unter dem Sitz angebracht ist.

Eine Gewähr kann nur übernommen werden, wenn das Produkt unter den vorgegebenen Bedingungen und zu den vorgesehenen Zwecken eingesetzt wird.

Die vorgesehene Lebensdauer des Rollstuhls beträgt 5 Jahre.

KEINE Teile von anderen Herstellern verwenden, außer diese sind von Sunrise Medical offiziell zugelassen.

Verwendungszweck

Indikationen

Die Vielfalt an Ausstattungsvarianten sowie die modulare Bauweise erlauben einen Einsatz bei Gehunfähigkeit/Gehbehinderung durch:

- Lähmung
- Gliedmaßenverlust (Beinamputation)
- Gliedmaßendefekt/Deformation
- Gelenkkontrakturen/-schäden
- Erkrankungen wie Herz- und Kreislaufinsuffizienz, Gleichgewichtsstörungen oder Kachexie, neurologische Krankheitsbilder, Muskeldystrophie, Hemiplegie sowie für Geriatriker mit noch verwendbaren Restkräften der oberen Gliedmaßen.

Kontraindikationen

Der Rollstuhl darf in folgenden Fällen nicht oder nur mit einer Begleitperson benutzt werden:

- Wahrnehmungsstörung
- Ungleichgewicht
- Verlust beider Arme, wenn keine Unterstützung durch eine Pflegeperson erfolgt
- Gelenkkontraktur oder Gelenkschäden an beiden Armen
- Sitzbehinderung

Beachten Sie bei der Versorgung außerdem auf Körpergröße, Gewicht, physische und psychische Verfassung, Alter des Behinderten, Wohnverhältnisse und Umwelt.

HINWEIS:

Bitte beachten Sie, dass zum Fahren eines Rollstuhls ausreichende kognitive, körperliche und visuelle Fertigkeiten erforderlich sind. Der Benutzer muss in der Lage sein, die Auswirkungen von Handlungen während des Betriebs des Rollstuhls zu beurteilen und sie bei Bedarf zu korrigieren. Diese Fähigkeiten und der sichere Gebrauch von zusätzlich angebauten Komponenten können von Sunrise Medical als dem Hersteller nicht beurteilt werden. Für daraus entstehende Schäden haften wir nicht.

Bitte beachten Sie die Bedienungsanleitung des Rollstuhls und der zusätzlich angebauten Komponenten. Unterweisen Sie den Benutzer im sicheren Gebrauch des Rollstuhls und der zusätzlich angebauten Komponenten. Informieren Sie die Benutzer über spezifische Warnungen, die gelesen, verstanden und respektiert werden müssen.

Allgemeine Sicherheitshinweise und Fahrbeschränkungen

Technik und Bauweise dieses Rollstuhls sind für die maximale Sicherheit entworfen. Die aktuell gültigen internationalen Sicherheitsstandards wurden erfüllt oder teilweise übererfüllt. Dennoch kann sich der Benutzer einem Risiko aussetzen, wenn er den Rollstuhl nicht vorschriftsmäßig handhabt. Beachten Sie zu Ihrer eigenen Sicherheit bitte unbedingt die nachstehenden Regeln. Unfachmännische oder fehlerhafte Änderungen oder Einstellungen erhöhen das Unfallrisiko. Als Rollstuhlfahrer sind Sie auch Verkehrsteilnehmer und Passant auf Straßen und Gehwegen. Wir möchten Sie daran erinnern, dass für Sie als Rollstuhlfahrer alle Verkehrsregeln gelten.

Seien Sie auf Ihrer ersten Fahrt im Rollstuhl besonders vorsichtig. Lernen Sie Ihren Stuhl kennen.

Überprüfen Sie Folgendes vor jedem Gebrauch:

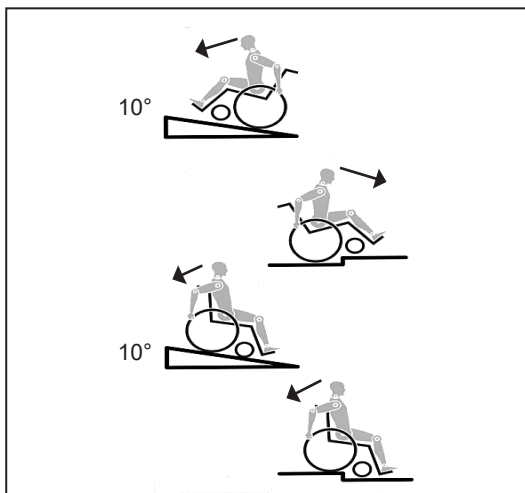
- Starrachsen oder Steckachsen an den Hinterrädern.
- Klettverschluss am Sitz und an der Rückenlehne
- Reifen, Reifendruck und Feststellbremsen.

Sollten irgendwelche Veränderungen an den Einstellungen vorgenommen werden, ist es wichtig, den entsprechenden Abschnitt der Gebrauchsanweisung zu lesen.

Besonders beim Befahren von Steigungen oder Gefällen können Schlaglöcher oder unebener Untergrund den Rollstuhl zum Kippen bringen. Wird eine Stufe oder ein Anstieg vorwärts befahren, sollte der Körper nach vorne geneigt sein.

GEFAHR!

- Überschreiten Sie NIEMALS die Höchstlast von 125 kg für den Fahrer plus mitgeführte Gegenstände. Das Überschreiten der Maximalen Zuladung kann zu Schäden am Stuhl, zu Fallen oder Kippen aus dem Rollstuhl, Verlust der Kontrolle, oder zu schweren Verletzungen des Fahrers und anderer Personen führen.
- Tragen Sie im Dunklen möglichst helle Kleidung oder Kleidung mit Reflektoren, um besser gesehen werden zu können. Achten Sie darauf, dass die seitlich und rückwärtig am Rollstuhl angebrachten Reflektoren gut sichtbar sind.
- Wir empfehlen Ihnen auch das Anbringen einer aktiven Beleuchtung.
- Um Stürze und gefährliche Situationen zu vermeiden, sollten Sie den Umgang mit Ihrem neuen Rollstuhl erst auf ebenem, überschaubarem Gelände üben.
- Benutzen Sie zum Ein- oder Aussteigen aus dem Rollstuhl nicht die Fußbretter.
- Diese sollten vorher hochgeklappt und möglichst nach außen weggeschwenkt werden. Begeben Sie sich immer so nah wie möglich an die Stelle, an der Sie umsteigen möchten.



- Lassen Sie bei der Benutzung des Rollstuhls immer Vorsicht walten. Vermeiden Sie z.B. ein ungebremstes Fahren gegen ein Hindernis (Stufen, Bordsteinkante) oder Herunterfahren von Kanten.
- Die Feststellbremsen sind nicht dazu gedacht, Ihren Rollstuhl während der Fahrt zu bremsen. Sie sichern den Rollstuhl gegen das Wegrollen. Wenn Sie auf unebenem Untergrund anhalten, ziehen Sie immer die Feststellbremse an, damit sich der Rollstuhl nicht plötzlich bewegen kann. Ziehen Sie die Bremsen auf beiden Seiten an, sonst könnte der Stuhl kippen.

- Erforschen Sie die Auswirkungen von Schwerpunktverlagerungen auf das Verhalten des Rollstuhls, zum Beispiel auf Gefällstrecken, Steigungen, sämtlichen Neigungen oder beim Überwinden von Hindernissen nur mit sicherer Unterstützung eines Helfers.
- Bei extremen Einstellungen (z.B. Antriebsräder in vorderster Position) und ungünstiger Körperhaltung kann der Rollstuhl bereits auf ebener Fläche kippen.
- Neigen Sie Ihren Oberkörper beim Befahren von Steigungen und Stufen weit nach vorn.
- Lehnen Sie Ihren Oberkörper beim Befahren von Neigungen und Stufen weiter nach hinten. Versuchen Sie keinesfalls, Gefälle diagonal hinauf oder hinunter zu fahren.
- Vermeiden Sie Rolltreppen, da diese bei einem Sturz schwere Verletzungen verursachen können.
- Den Rollstuhl nicht an Gefällen bzw. Steigungen von mehr als 10° verwenden. Die dynamische Stabilität an Gefällen hängt von der Konfiguration des Rollstuhls, den Fertigkeiten und dem Fahrstil des Benutzers ab. Da die Fertigkeiten des Benutzers und der Fahrstil nicht vorherbestimmt werden können, kann der Höchstwert für das sichere Gefälle nicht bestimmt werden. Dieser muss vom Benutzer mit Hilfe einer Begleitperson ermittelt werden, um das Umkippen zu verhindern. Für unerfahrene Benutzer wird der Einbau von Sicherheitsrädern dringend empfohlen.
- Besonders beim Befahren von Steigungen oder Gefällen können Schlaglöcher oder unebener Untergrund den Rollstuhl zum Kippen bringen.
- Den Rollstuhl nicht auf schlammigem oder vereistem Grund verwenden.
- Den Rollstuhl nur dort verwenden, wo auch Fußgänger zugelassen sind.
- Zur Vermeidung von Handverletzungen greifen Sie bei der Fahrt mit dem Rollstuhl nicht zwischen die Speichen oder zwischen das Antriebsrad und die Radbremse.
- Bei Verwendung von Leichtmetallgreifringen kann es beim Abbremsen aus schneller Fahrt oder auf längeren Gefällestrecken zum Erhitzen der Greifringe kommen.
- Treppen dürfen nur mit Hilfe von Begleitpersonen überwunden werden. Sind dafür Einrichtungen wie z.B. Auffahrampen oder Aufzüge vorhanden, so sind diese zu benutzen. Fehlen solche Einrichtungen, ist der Rollstuhl anzukippen und über die Stufen zu führen (2 Helfer). Wir empfehlen, Benutzer mit einem Körpergewicht über 100 kg nicht auf diese Weise zu transportieren. Generell müssen montierte Sicherheitsräder zuvor so eingestellt werden, dass sie beim Transport nicht auf die Stufen aufsetzen können, da es sonst zu schweren Stürzen kommen kann. Anschließend müssen die Sicherheitsräder wider korrekt eingestellt werden.
- Achten Sie darauf, dass die Begleitpersonen den Rollstuhl nur an fest montierten Bauteilen anfassen. Keine abnehmbaren Teile (z.B. die Fußrasten oder Seitenteile) dafür verwenden.
- Achten Sie beim Benutzen von Hebebühnen darauf, dass sich montierte Sicherheitsräder außerhalb des Gefahrenbereichs befinden.
- Sichern Sie Ihren Rollstuhl auf unebenem Gelände oder beim Umsteigen (z. B. ins Auto) durch Betätigen der Bremse.
- Achten Sie beim Benutzen von Hebebühnen darauf, dass sich montierte Sicherheitsräder außerhalb des Gefahrenbereichs befinden.
- Sichern Sie Ihren Rollstuhl auf unebenem Gelände oder beim Umsteigen (z. B. ins Auto) durch Betätigen der Bremse.
- Wenn und wann immer möglich, sollten Fahrzeuginsassen während der Fahrt in einem Behindertentransportkraftwagen (BTW) die im Fahrzeug installierten Sitze und die dazugehörigen Rückhaltesysteme nutzen. Nur so sind Insassen bei einem Unfall optimal geschützt.
- Abhängig von Durchmesser und Einstellung der Lenkräder sowie der Schwerpunkteinstellung des Rollstuhls kann bei höheren Geschwindigkeiten ein Flattern der Lenkräder auftreten. Dies kann zu einem Blockieren der Lenkräder und zum Kippen des Rollstuhls führen. Achten Sie daher auf eine korrekte Einstellung der Lenkräder (siehe Kapitel «Lenkräder»).
- Befahren Sie insbesondere Gefällstrecken nicht ungebremst, sondern mit reduzierter Geschwindigkeit. Die Verwendung von Sicherheitsrädern ist bei ungeübten Nutzern unbedingt empfehlenswert.

!GEFAHR!

- Die Sicherheitsräder sollen ein unbeabsichtigtes Kippen nach hinten verhindern. Keinesfalls sollen sie die Funktion von Transittrollen übernehmen, etwa um eine Person bei abgenommenen Antriebsrädern im Rollstuhl zu transportieren.
- Achten Sie beim Ergreifen von Gegenständen (die vor, seitlich oder hinter dem Rollstuhl liegen) darauf, dass Sie sich nicht zu weit aus dem Rollstuhl lehnen, da durch Schwerpunktverlagerung eine Kipp- bzw. Überschlaggefahr besteht. Das Aufhängen von zusätzlichen Lasten (Rucksack oder ähnliche Gegenstände) an die Rückenpfosten Ihres Rollstuhls kann die Stabilität Ihres Rollstuhls nach hinten beeinträchtigen, vor allem, wenn der Rückenwinkel nach hinten verstellt wurde. Der Rollstuhl kann dadurch nach hinten kippen und Verletzungen verursachen.
- Bei Oberschenkelamputation müssen die Sicherheitsräder verwendet werden.
- Achten Sie vor Fahrtantritt auf den korrekten Luftdruck der von Ihnen verwendeten Bereifung. Bei den Antriebsrädern muss er mindestens 3,5 bar (350 kPa) betragen. Der max. Luftdruck ist am Reifen angegeben. Die Kniehebelbremsen sind nur bei ausreichendem Luftdruck und korrekter Einstellung wirksam (siehe Kapitel "Bremsen").
- Sollte die Sitz- und Rückenbespannung beschädigt sein, tauschen Sie diese bitte umgehend aus.
- Vorsicht beim Umgang mit Feuer, insbesondere brennenden Zigaretten. Sitz- und Rückenbespannung könnten sich entzünden.
- Wenn der Rollstuhl längere Zeit direkter Sonneneinstrahlung / niedrigen Temperaturen ausgesetzt war, können Teile des Rollstuhls (z.B. Rahmen, Fußrasten, Bremsen und Seitenteile) sehr heiß (>41°C) bzw. sehr kalt (<0°C) werden.
- Achten Sie immer darauf, dass die Steckachsen an den Hinterrädern (falls eingebaut) richtig eingestellt sind und ganz einrasten (Kugellager sind ganz durch die Achsaufnahme sichtbar). Bei nicht gedrücktem Knopf der Steckachse darf sich das Antriebsrad nicht entfernen lassen.

!VORSICHT!

- Sowohl die Wirkung der Kniehebelbremse als auch das allgemeine Fahrverhalten sind vom Luftdruck abhängig. Mit korrekt aufgepumpten Antriebsrädern und gleichem Luftdruck auf beiden Rädern lässt sich Ihr Rollstuhl wesentlich leichter und besser manövrieren.
- Achten Sie auf eine ausreichende Profiltiefe Ihrer Bereifung!
- Beachten Sie bitte, dass Sie bei Fahrten im öffentlichen Straßenverkehr der Straßenverkehrsordnung unterliegen.
- Lassen Sie bei der Handhabung und beim Einstellen des Rollstuhls immer Vorsicht walten!
- Anpassungen, für die Werkzeug benötigt wird, sollten nur von autorisierten Fachhändlern vorgenommen werden.
- Reinigen Sie den Rollstuhl regelmäßig, um Rostbildung und Korrosion durch Salz zu vermeiden.
- Überprüfen Sie die Nieten, Muttern und Schrauben, um sicherzustellen, dass sie fest sitzen und sich keine Rollstuhlteile lösen.
- Bei allen beweglichen Teilen besteht immer die Gefahr, dass die Finger eingeklemmt werden können. Bitte immer vorsichtig handhaben.
- Die Rollstühle, die in diesem Handbuch abgebildet und beschrieben sind, entsprechen möglicherweise nicht in allen Einzelheiten genau Ihrem eigenen Modell. Dennoch sind alle Anweisungen trotz möglicher Detailunterschiede völlig relevant.
- Der Hersteller behält sich das Recht vor, Gewichte, Abmessungen oder andere in diesem Handbuch aufgeführte technische Daten ohne vorherige Benachrichtigung zu ändern. Alle in diesem Handbuch aufgeführten Zahlenangaben, Abmessungen und Kapazitäten sind ungefähr und stellen keine präzisen technischen Daten dar.

!GEFAHR!

ERSTICKUNGSGEFAHR – Diese Mobilitätshilfe enthält Kleinteile, die unter Umständen eine Erstickungsgefahr für kleine Kinder darstellen können.

LEBENSDAUER

Die erwartete Lebensdauer des Rollstuhls beträgt 5 Jahre, vorausgesetzt: Die bestimmungsgemäße Verwendung wird genau beachtet
Alle Anforderungen in Bezug auf Service und Wartung werden erfüllt.

Garantie**DIESE GARANTIE BESCHRÄNKT IHRE GESETZLICHEN RECHTE IN KEINER WEISE.**

Sunrise Medical* gewährt ihren Kunden weltweit auf ihre Rollstühle eine Garantie zu den folgenden

Garantiebedingungen

1. Sollte ein Teil oder sollten Teile des Rollstuhls als Folge eines Herstellungs- und/oder Materialfehlers innerhalb von 24 Monaten bzw. bei Rahmen- und Kreuzstreben innerhalb von 5 Jahren nach der Auslieferung an den Käufer eine Reparatur oder einen Austausch benötigen, wird das betroffene Teil bzw. werden die betroffenen Teile repariert oder kostenlos ausgetauscht.
2. Zur Geltendmachung der Garantie benachrichtigen Sie umgehend den Sunrise Medical Kundendienst mit genauen Angaben zur Art der Schwierigkeiten. Sollten Sie den Rollstuhl außerhalb des Zuständigkeitsbereichs des Sunrise Medical Kundendienstes verwenden, werden Reparatur oder Austausch von einem anderen vom Hersteller bezeichneten Kundendienst ausgeführt. Der Rollstuhl muss von einem zuständigen Sunrise Medical Kundendienst (Händler) repariert werden.
3. Für Teile, die im Rahmen dieser Garantie repariert oder ausgetauscht werden, gewähren wir eine Garantie nach diesen Garantiebedingungen für die für den Rollstuhl verbleibende Garantiedauer nach Ziffer 1).
4. Für Originalersatzteile, die auf Kosten des Käufers eingebaut werden, gewähren wir 24 Monate Garantie ab dem Einbau nach diesen Garantiebedingungen (für Batterien gilt davon abweichend jedoch nur eine verringerte Garantiezeit von 12 Monaten).
5. Verschleißteile wie Polster, Reifen, Schläuche, Bespannungen und ähnliche Teile sind von der Garantie ausgeschlossen, es sei denn es liegt eine vorzeitige Abnutzung des Teils vor, die direkt auf einen Herstellungsfehler zurückzuführen ist.
6. Ansprüche aus dieser Garantie entfallen, wenn eine Reparatur oder ein Ersatz des Rollstuhls oder eines Teiles aus den folgenden Gründen erforderlich ist:
 - a) Das Produkt oder das Teil wurde nicht gemäß den in der Betriebsanleitung und/oder dem Service-Handbuch aufgeführten Empfehlungen des Herstellers gepflegt oder gewartet.
 - b) Es wurde Zubehör verwendet, bei dem es sich nicht um Originalzubehör handelte.
 - c) Der Rollstuhl oder ein Teil des Rollstuhls wurde durch Nachlässigkeit, Unfall oder unsachgemäße Verwendung beschädigt.
 - d) Es wurden Änderungen/Modifikationen am Rollstuhl oder an Teilen vorgenommen, die von unseren Herstellerspezifikationen abweichen.
 - e) Es wurden Reparaturen durchgeführt, bevor unser Kundendienst über den jeweiligen Sachverhalt informiert wurde.
7. Diese Garantie unterliegt dem Recht des Landes in dem das Produkt von Sunrise Medical gekauft worden ist.

* Bedeutet der Sunrise Medical Standort von dem das Produkt gekauft wurde.

Transport

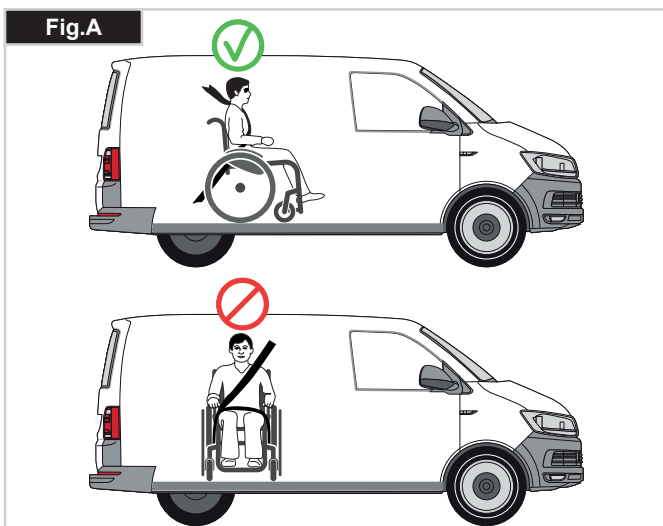
⚠️ GEFAHR!

Bei Nichtbeachtung dieser Ratschläge besteht die Gefahr von schweren Körperverletzungen und sogar Lebensgefahr!

Transport Ihres Rollstuhls in einem Fahrzeug:

Ein in einem Fahrzeug gesicherter Rollstuhl bietet nicht die gleiche Sicherheit wie das Sitzsystem eines Fahrzeugs. Wir empfehlen immer, dass der Benutzer in das Sitzsystem des Fahrzeugs umsteigt. Wir erkennen an, dass es in der Praxis nicht immer möglich ist, dass der Benutzer umsteigt und in diesem Fall müssen die folgenden Ratschläge beachtet werden, wenn der Benutzer im Rollstuhl sitzend transportiert werden muss:

1. Überprüfen Sie, dass das Fahrzeug für den Transport eines Insassen in einem Rollstuhl ausgestattet ist und über einen für Ihren Rollstuhltyp geeigneten Zugang/Ausgang verfügt. Das Fahrzeug muss über eine ausreichende Tragkraft für das Gesamtgewicht, d.h., das Körpergewicht des Benutzers und das Gewicht von Rollstuhl und Zubehör, verfügen.
2. Um den Rollstuhl herum sollte genügend Platz zur Verfügung stehen, damit das Rückhaltesystem und die Sicherheitsgurte des Rollstuhls und für den Benutzer angelegt, festgezogen und wieder geöffnet werden können.
3. Wenn sich der Benutzer im Rollstuhl befindet, muss dieser vorwärts gerichtet stehen und mit den Befestigungsgurten für den Rollstuhl und den Sicherheitsgurten des Rollstuhls (Befestigungsgurte gemäß WTORS müssen den Anforderungen von ISO 10542 oder SAE J2249 entsprechen) gemäß der Gebrauchsanweisung des Herstellers des Rückhaltesystems (WTORS) befestigt werden.
4. Der Rollstuhl wurde für den Transport in einem Fahrzeug in einer anderen Stellung nicht geprüft, so darf z.B. der Rollstuhl keinesfalls seitlich gerichtet transportiert werden (Fig. A).
5. Der Rollstuhl muss mit einem Rückhaltesystem gemäß ISO 10542 oder SAE J2249 mit nicht verstellbaren Gurten vorne und verstellbaren Gurten hinten gesichert werden, dabei handelt es sich normalerweise um Karabinerhaken/S-förmige Haken sowie um Steckverschlüsse. Die Rückhaltesysteme bestehen normalerweise aus 4 Einzelgurten, die an den vier Ecken des Rollstuhls befestigt werden.
6. Das Rückhaltesystem muss wie auf der nächsten Seite abgebildet am Fahrgestell des Rollstuhls und nicht an Anbauten oder Zubehör, z.B. nicht um die Speichen der Räder, die Bremse oder Fußraste befestigt werden.



7. Das Rückhaltesystem muss so nah wie möglich mit einem Winkel von 45 Grad angebracht und gemäß der Bedienungsanleitung des Herstellers sicher befestigt werden.

8. Ohne Rücksprache mit dem Hersteller dürfen an den Befestigungspunkten des Rollstuhls oder an Bauteilen des Fahrgestells und des Rahmens keine Änderungen vorgenommen bzw. diese nicht ausgewechselt werden. Bei Nichtbeachtung dieser Vorgabe dürfen Sunrise Medical Rollstühle nicht in Fahrzeugen transportiert werden.

9. Der Benutzer muss sowohl mit dem Beckengurt als auch mit dem Schultergurt angeschnallt werden, um die Wahrscheinlichkeit eines Aufpralls von Kopf und Brust auf die Bauteile des Fahrzeugs und schwere Körperverletzungen beim Benutzer und anderen Fahrzeuginsassen zu verringern. (Fig. B) Der Schultergurt muss an der "B"-Säule des Fahrzeugs befestigt werden - bei Nichtbeachtung erhöht sich die Gefahr von schweren Bauchverletzungen für den Benutzer.

10. Eine für den Transport geeignete Kopfstütze (siehe Aufkleber an der Kopfstütze) muss eingebaut und während des Transports stets richtig angebracht sein.

11. Haltevorrichtungen (Beckenriemen, Beckengurte) dürfen bei der Fahrt nur zur Sicherung des Rollstuhlbenutzers verwendet werden, wenn auf dem Etikett angegeben ist, dass sie die Anforderungen von ISO 7176-19 oder SAE J2249 erfüllen.

12. Die Sicherheit des Benutzers während des Transports hängt von der Sorgfalt ab, mit der das Rückhaltesystem befestigt wird, die Person, von der die Befestigung ausgeführt wird, sollte in der Bedienung des Systems unterwiesen bzw. geschult sein.

13. Soweit möglich sollten alle Hilfsmittel vom Rollstuhl abgenommen und sicher verstaut werden wie etwa: Krücken, lose Kissen und Therapietische.

14. Hochschwenkbare/höhenverstellbare Fußrasten dürfen nicht hochgestellt sein, wenn der Benutzer im Rollstuhl sitzend transportiert wird und der Rollstuhl mit einem Rückhaltesystem und Sicherheitsgurt gesichert ist.

15. Verstellbare Rücken müssen in die aufrechte Position gebracht werden.

16. Die manuelle Bremse muss fest angezogen werden.

17. Die Sicherheitsgurte müssen an der "B"-Säule des Fahrzeugs angebracht werden und dürfen nicht durch Rollstuhlteile wie Armlehnen oder Räder vom Körper ferngehalten werden.



ANLEITUNG FÜR DAS ANSCHNALLEN DES ROLLSTUHLBENUTZERS

1. Der Beckengurt muss unten an der Vorderseite des Beckens getragen werden, so dass der Winkel des Beckengurts innerhalb des bevorzugten Bereichs von 30 bis 75 Grad zur Horizontalen liegt. Ein steilerer (größerer) Winkel innerhalb des bevorzugten Bereichs ist wünschenswert, d.h., näher an 75°, aber keinesfalls darüber. (Fig. C)
2. Der Schultergurt muss wie in Fig. D und E gezeigt über die Schulter und quer über die Brust passen. Sicherheitsgurte müssen so fest wie möglich sitzen ohne den Benutzerkomfort zu beeinträchtigen. Sicherheitsgurte dürfen beim Gebrauch nicht verdreht sein. Der Schultergurt muss wie in Fig. D und E gezeigt über die Schulter und quer über die Brust passen.
3. Die Befestigungspunkte am Rollstuhl befinden sich am vorderen inneren Seitenteil des Fahrgestells direkt über dem Lenkrad und am hinteren Seitenteil des Fahrgestells. Die Gurte werden um die Seitenteile des Fahrgestells an der Stelle befestigt, an der das waagrechte und das senkrechte Rohr aufeinandertreffen. (Siehe Fig. G - K).
4. Die Position der Befestigungsgurte für den Rollstuhl ist mit dem Symbol für den Befestigungspunkt (Fig. F) markiert. Wenn die vorderen Gurte zur Befestigung des Rollstuhls angebracht sind, werden die Gurte gestrafft.

KÖRPERGEWICHT DES BENUTZERS UNTER 22 kg (48 lb 8.0 oz)

Wenn ein Kind mit einem Körpergewicht von unter 22 kg befördert wird und weniger als acht (8) Insassen im Fahrzeug sitzen, wird empfohlen, ein Rückhaltesystem für Kinder (CRS) gemäß UNCE Regulation 44 zu verwenden.

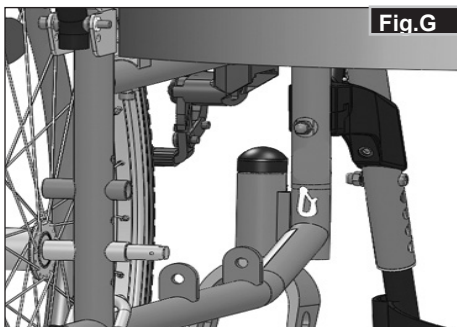
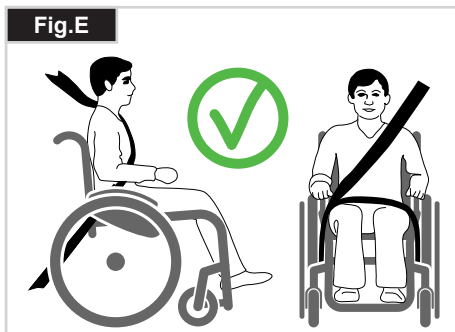
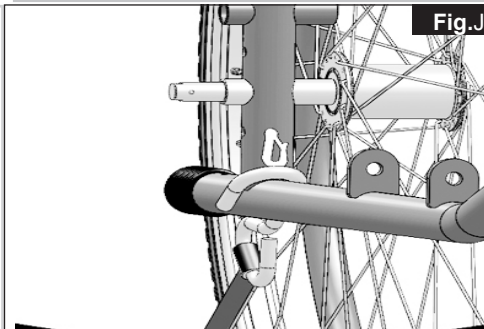
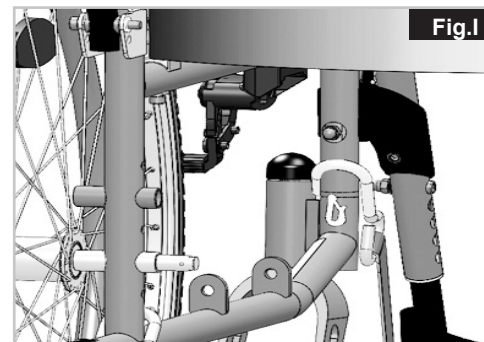
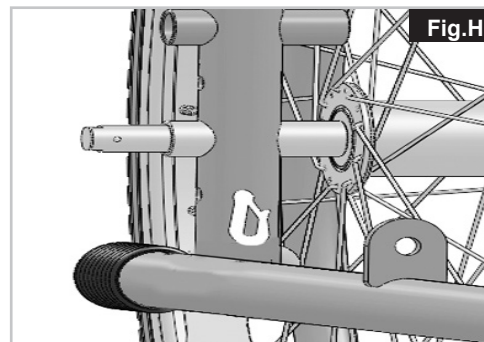
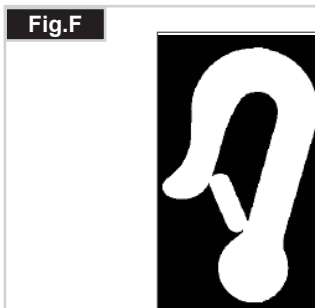
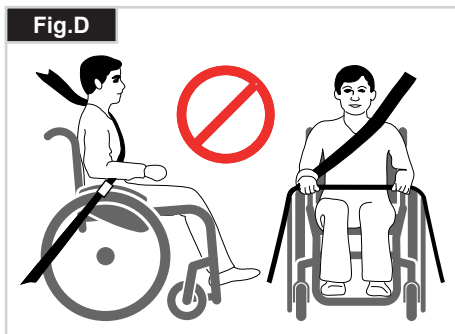
Diese Art von Rückhaltesystem bietet einen wirksameren Schutz als der normale Dreipunkt-Sicherheitsgurt in Fahrzeugen und manche Rückhaltesysteme für Kinder verfügen auch über zusätzliche Haltevorrichtungen, die dazu beitragen, die Sitzhaltung des Kindes aufrecht zu erhalten.

Eltern oder Therapeuten können unter bestimmten Umständen auch erwägen, dass ihr Kind während der Fahrt im Rollstuhl sitzen bleibt, da der Rollstuhl für eine bessere Haltungskontrolle sorgt und mehr Komfort bietet.

In diesem Fall empfehlen wir, dass Ihr Gesundheitspfleger und sachkundige Personen eine Risikoanalyse durchführen.

Lage der Befestigungspunkte für das Rückhaltesystem am Rollstuhl:

1. Lage der vorderen und hinteren Verankerungsaufkleber (Fig. G - H).
2. Lage der vorderen (Fig. I) und hinteren (Fig. J) Aufkleber mit den Befestigungspunkten für das Rückhaltesystem am Rollstuhl und des Verankerungsaufklebers.
3. Seitenansicht der Befestigungsgurte (Fig. K).



Handhabung

FALTEN

Entfernen Sie zuerst das Sitzkissen vom Rollstuhl, und klappen Sie die Fußplatte oder die einzelnen Fußstützen nach oben. Ergreifen Sie die Schlinge bzw. die Sitzrohre in der Mitte, von unten her, und ziehen Sie sie nach oben. Der Rollstuhl klappt sich dann zusammen. Je nach Modell können Sie die Fußstützen abmontieren, um den Rollstuhl so klein wie möglich zu falten, z.B. um ihn in einem Auto zu verstauen. Zu diesem Zweck öffnen Sie den Riegel von außen, und schwenken Sie die Fußstütze zur Seite. Danach muss die Fußstütze nur noch aus ihrem Halterohr gezogen werden (Fig. 1).

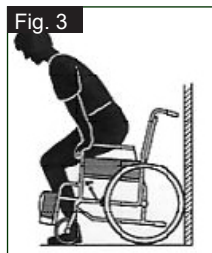


ENTFALTEN

Drücken Sie auf die Sitzrohre (siehe Abbildung). Dadurch klappt der Rollstuhl auf. Lassen Sie dann die Sitzrohre im Sitzsattel einrasten. Es geht einfacher, wenn der Rollstuhl leicht gekippt wird, weil dadurch ein Hinterrad entlastet wird. **Achten Sie darauf, dass Sie Ihre Finger nicht in der Kreuzstrebe einklemmen.** Das Sitzkissen wieder anbringen (Fig. 2).

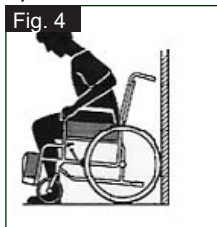
Alleine in Ihren Rollstuhl einsteigen (Fig. 3)

- Den Rollstuhl an eine Wand oder ein solides Möbelstück schieben;
- Die Bremse anziehen;
- Die Fußplatten nach oben klappen;
- Der Benutzer kann sich dann selbst in den Rollstuhl herablassen;
- Die Fußplatten dann nach unten klappen und die Füße vor den Fersenbändern darauf abstützen.



Alleine aus Ihrem Rollstuhl aussteigen (Fig. 4)

- Die Bremse anziehen;
- Die Fußplatten mit Gelenk nach oben klappen;
- Die Fußplatten mit Gelenk nach oben klappen; die Person leicht nach vorne beugen, um das Körpergewicht auf die Vorderkante des Sitzes zu verlagern und mit beiden Füßen fest auf dem Boden und einem Fuß hinter dem anderen in die aufrechte Position schieben.



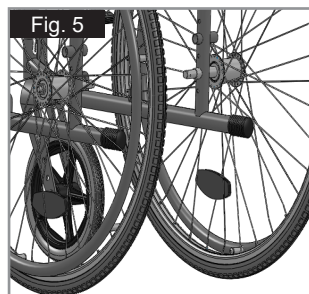
⚠️ WARNUNG!

Beim Stehen nicht auf die Fußplatten stellen, da der Rollstuhl sonst umkippt. Das Einsteigen in Ihren Rollstuhl ist einfacher und sicherer, wenn Sie die Fußplatten nach oben klappen und zur Seite schieben oder sie vom Rollstuhl abnehmen.

Optionen - Ankippbügel

ANKIPPBÜGEL (FIG. 5)

Ankippbügel werden von Begleitpersonen benutzt, um den Rollstuhl nach hinten anzukippen. Um den Rollstuhl zum Beispiel auf einen Bordstein oder eine Stufe zu schieben, tritt man einfach mit dem Fuß auf den Bügel.



HINWEIS: Sunrise Medical empfiehlt dringend, bei allen Modellen, die vorwiegend von einer Begleitperson geschoben werden, einen Ankippbügel zu verwenden. Wenn der Rollstuhl nicht mit einem Ankippbügel ausgestattet ist und das Rückenrohr ständig als Hebel zum Kippen des Rollstuhls benutzt wird, kann dadurch das Rückenrohr beschädigt werden.

Optionen - Bremsen

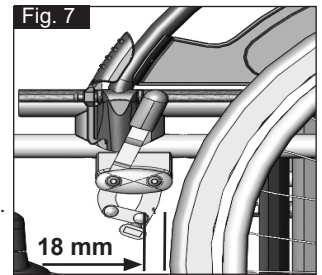
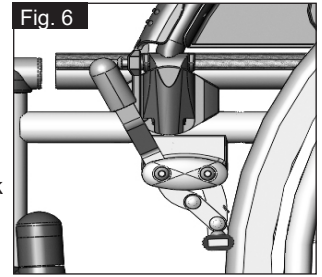
FESTSTELLBREMSEN

Ihr Rollstuhl ist mit zwei Feststellbremsen ausgestattet, die direkt gegen die Räder geführt werden. Um die Feststellbremsen anzuziehen, drücken Sie beide Bremshebel nach vorn, gegen den Anschlag. Zum Loslassen der Bremse ziehen Sie die Hebel zurück in ihre Ausgangsposition.

Die Bremsen sind weniger wirksam bei:

- abgefahrenem Reifenprofil
- zu niedrigem Reifendruck
- nassen Reifen
- inkorrektener Einstellung

Die Feststellbremsen sind nicht als Bremsen für den fahrenden Rollstuhl entworfen. Die Feststellbremsen dürfen daher nicht zum Abbremsen des Stuhls verwendet werden. Benutzen Sie dazu immer die Hände. Achten Sie darauf, dass der Abstand zwischen den Reifen und den Feststellbremsen mit den angegebenen Spezifikationen übereinstimmt. Der Abstand wird justiert, indem Sie die Schraube lockern und den richtigen Abstand einstellen. Die Schraube dann wieder anziehen (Fig. 6 und 7).



⚠️ VORSICHT!

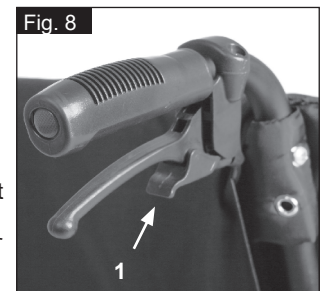
- Prüfen Sie den Abstand der Feststellbremsen nach jeder Justierung des Hinterrads und stellen Sie ihn gegebenenfalls neu ein.
- Wenn die Feststellbremse zu nah am Rad montiert ist, erfordert die Betätigung einen höheren Kraftaufwand. Dadurch kann der Bremshebel abbrechen!
- Wenn Sie sich beim Ein- und Aussteigen auf den Bremshebel stützen, bricht der Hebel ab! Spritzwasser von den Rädern kann zur Fehlfunktion der Feststellbremsen führen.

TROMMELBREMSEN

Trommelbremsen stellen für den Helfer eine sichere und geeignete Bremsmethode dar.

Die Bremsen können ebenfalls mit einem Verschlusshebel (1) angezogen werden, um das Wegrollen zu verhindern.

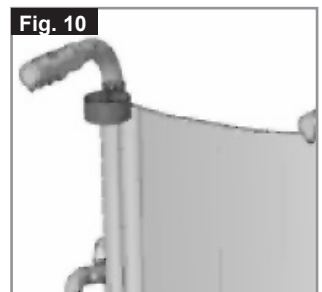
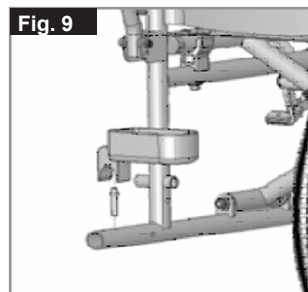
Der Hebel muss hörbar einrasten. Die Trommelbremsen werden nicht vom Reifendruck beeinflusst (Fig. 8).



⚠️ WARNUNG!

- Trommelbremsen dürfen nur von zugelassenen Fachhändlern justiert werden.
- Betätigen Sie die 2 Bremsen immer gleichzeitig, um zu gewährleisten, dass Sie die Kontrolle über die Fahrtrichtung behalten!
- Trommelbremsen können nur als dynamische Bremse zum Anhalten des Rollstuhls während der Fahrt verwendet werden.
- Betätigen Sie immer die Feststellbremse, um den Rollstuhl bei kurzem oder langem Anhalten oder zum Umsteigen zu sichern.

Optionen - Stockhalter



Optionen - Fußplatten

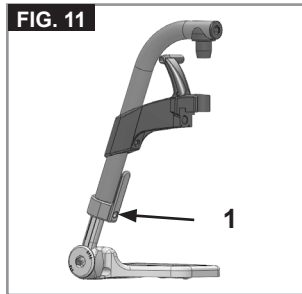
FUSSPLATTEN:

Die Fußplatten können hochgeklappt werden, um das Ein- und Aussteigen zu erleichtern.

Das Gewicht beträgt 1,0 kg pro Baugruppe

UNTERSCHENKELLÄNGE:

Für Fahrer mit längeren Beinen kann die Beinstütze mittels der Schrauben (1) entsprechend abgesenkt werden. Lockern Sie die Schrauben, schieben Sie die Rohre auf die gewünschte Position, und ziehen Sie die Schrauben wieder fest (siehe unter Drehmoment). Die Fußplatten müssen mindestens 2,5 cm Abstand vom Boden haben, (Fig. 11).



BEINSTÜTZEN UND VERRIEGELUNG

Die Beinstützen können nach innen unter die Sitzschlinge oder nach außen geschwenkt werden. Beim Montieren der Beinstütze müssen die Fußplatten nach innen bzw. außen zeigen. Drehen Sie dann die Beinstütze nach innen, bis sie einrastet. Zum Abmontieren ziehen Sie den Hebel (1) schwenken Sie die Fußplatte nach innen oder außen, und heben Sie die Beinstütze heraus.

Achten Sie auf das korrekte Einrasten der Beinstütze, (Fig. 12).



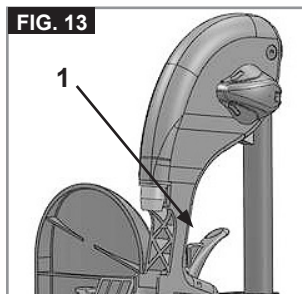
⚠ VORSICHT!

- Der Rollstuhl darf nicht an den Beinstützen angehoben oder getragen werden.
- Benutzen Sie zum Ein- oder Aussteigen aus dem Rollstuhl nicht die Fußbretter. Sie müssen vorher hochgeklappt werden oder die Fußraste muss so weit wie möglich nach außen geschwenkt werden.

OPTION HÖHENVERSTELLBARE FUSSRASTE

(Fig. 13-15)

Zum Abnehmen den Hebel (1) betätigen, die Fußplatte nach außen schwenken und die Fußraste herausheben.



HÖHENEINSTELLUNG:

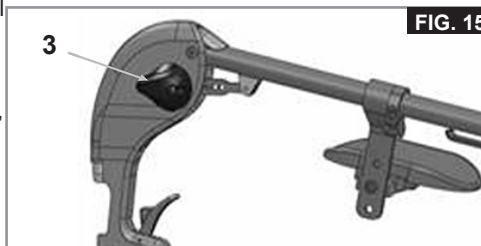
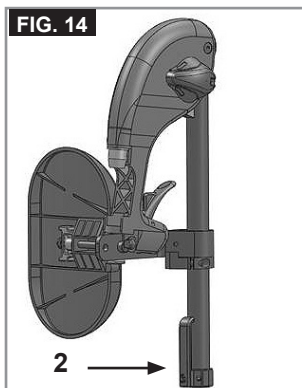
Die Unterschenkelhöhe kann durch Lösen der Schraube (2) stufenlos verstellt werden. Auf eine passende Höhe einstellen und die Schraube wieder festziehen.

⚠ VORSICHT!

Der Abstand zwischen der Fußplatte und dem Boden muss mindestens 40 mm betragen.

EINSTELLEN DES WINKELS:

Drücken Sie den Hebel (3) mit einer Hand nach unten und halten Sie die Fußraste mit der anderen Hand fest, um sie zu entlasten. Wenn der gewünschte Winkel erreicht ist, lassen Sie den Hebel los und die Fußraste rastet in eine der voreingestellten Positionen ein.

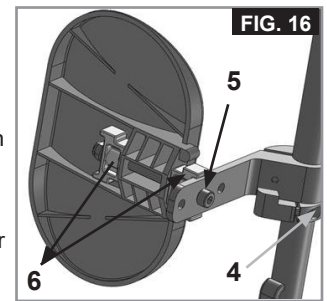


VERSTELLEN DES WADENPOLSTERS

(Fig. 16).

Das Wadenpolster kann wie folgt verstellt werden:

Höhe: Lösen Sie die Schraube (4) und schieben Sie das Klemmstück auf die gewünschte Position. Durch das Drehen des Klemmstücks kann auch der Winkel verstellt werden.
Tiefe: Lösen Sie die Schraube (5) und schieben Sie das Wadenpolster in die gewünschte Position.
Breite: Lösen Sie die Schraube (5) und bringen Sie die Distanzstücke (6) so hinter dem Polster an, dass die gewünschte Position erreicht ist.



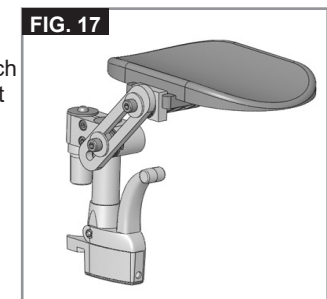
⚠ WARNUNG!

- Halten Sie beim Anheben oder Absenken der Fußraste die Hände vom Verstellmechanismus zwischen dem Fahrgestell und den beweglichen Teilen der Fußraste fern.
- Achten Sie immer darauf, dass die Befestigungsteile gesichert sind.
- Die Fußrasten dürfen nicht zum Anheben oder zum Tragen des Rollstuhls verwendet werden.
- Quetschgefahr! Greifen Sie beim Verstellen der Fußraste nach oben oder unten nicht in den Verstellmechanismus zwischen den beweglichen Teilen der Fußraste.

AMPUTATIONS AUFLAGE

(Fig. 17).

Die Amputationsauflage kann je nach Bedarf in alle Richtungen eingestellt werden.



Optionen - Lenkräder

LAUFRÄDER, LAUFRADPLATTEN, GABELN

Es kann vorkommen, dass der Rollstuhl einen leichten Rechts- oder Linksdrahl entwickelt oder dass die Laufräder schlingern. Das kann folgende Gründe haben:

- Der Radlauf vorwärts oder rückwärts ist nicht richtig eingestellt.
- Der Laufradwinkel ist nicht richtig eingestellt.
- Der Druck im Laufrad und /oder Hinterrad ist nicht korrekt; die Räder drehen sich nicht sanft.

Der Rollstuhl kann nicht in einer geraden Linie fahren, wenn die Laufräder nicht richtig eingestellt sind. Die Laufräder müssen immer von einem zugelassenen Fachhändler eingestellt werden. Die Feststellbremse muss immer überprüft werden, wenn die Position des Hinterrads verstellt wurde.

Die Sitzhöhe wird durch die Lenk- und Antriebsradposition festgelegt. Die Sitzhöhe kann durch Veränderung der Position der Antriebsräder und Lenkräder eingestellt werden.

⚠ VORSICHT!

Nach der SitzhöhenEinstellung, müssen alle Schrauben wieder festgezogen und die Bremse neu eingestellt werden. Die Lenkräder müssen auf 90° eingestellt sein.

Optionen - Seitenteil

STANDARDSEITENTEILE, HOCHKLAPPBAR, MIT KURZEN ODER LANGEN ARMLEHNEN

Das nach vorne abgerundete Seitenteil ermöglicht es Ihnen, nahe an einen Tisch heranzufahren. Zum Hochklappen der Armlehne betätigen Sie den Hebel (1), um das Seitenteil zu entriegeln (Fig. 18). Die Länge der Armlehne kann verstellt werden, dazu die Schrauben (2) lösen, dann die Armlehne auf die gewünschte Position schieben und die Schrauben wieder festziehen (Fig. 19).

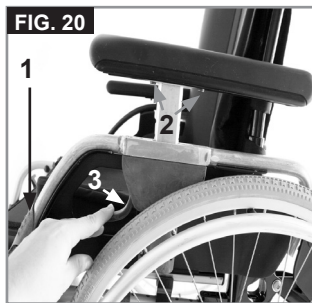


⚠️ WARNUNG!

Die Seitenteile, wie deren Armlehnen sind zum Anheben oder Tragen des Rollstuhles nicht geeignet.

SEITENTEIL, HOCHSCHWENKBAR, ABNEHMBAR MIT KURZER / LANGER ARMAUFLAGE, HÖHENVERSTELLBAR

Die Armauflage kann folgendermaßen in der Höhe verstellt werden. Drücken Sie den Hebel nach unten und verstellen Sie die Armauflage auf die gewünschte Höhe (3). Lassen Sie den Hebel los und drücken Sie die Armauflage nach unten, bis sie hörbar einrastet. Kontrollieren Sie immer, dass die Seitenteile richtig eingerastet sind. Zum Hochschwenken drücken Sie den Hebel (1), damit das Seitenteil entriegelt wird.



Die Länge der Armauflage kann eingestellt werden, indem Sie die Schrauben (2) lösen, die Armauflage in die entsprechende Position schieben und die Schrauben wieder anziehen (Fig. 20).

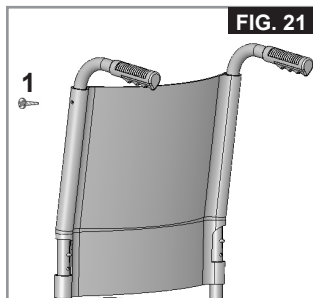
⚠️ WARNUNG!

Die Seitenteile, wie deren Armlehnen sind zum Anheben oder Tragen des Rollstuhles nicht geeignet.

Optionen - Rücken

HÖHENVERSTELLBARE RÜCKENLEHNE

Die Höhe der Rückenlehne kann auf 2 verschiedene Positionen eingestellt werden (41 cm und 42,5 cm). Die Schrauben (1) lösen und abnehmen und die Rückenbespannung auf die gewünschte Position schieben. Ziehen Sie die Bolzen wieder fest (Fig. 21).



Optionen - Therapietisch

THERAPIETISCH

Der Therapietisch bietet eine Arbeitsfläche für die meisten Aktivitäten. Das Tablett muss vor der Benutzung von einem zugelassenen Fachhändler auf die jeweilige Sitzbreite eingestellt werden. Bei dieser Einstellung muss der Fahrer im Rollstuhl sitzen (Fig. 22).



Optionen - Sicherheitsräder

SICHERHEITSRÄDER

Sicherheitsräder verschaffen unerfahrenen Rollstuhlbenutzern zusätzliche Sicherheit, wenn sie den Umgang mit dem Rollstuhl erlernen. Sie hindern den Rollstuhl daran, nach hinten zu kippen.



Durch Druck auf den Verschlussknopf (1) können die Sicherheitsräder nach oben gestellt oder entfernt werden. Zwischen Rohr und Boden muss ein Abstand von 3 cm bis 5 cm verbleiben.

Wenn Sie ein größeres Hindernis überwinden (z.B. einen Bordstein befahren), müssen die Sicherheitsräder nach oben gedreht werden, damit sie den Boden nicht berühren. Drehen Sie die Sicherheitsräder anschließend wieder auf die normal vorgesehene Stellung herunter. (Fig. 23).

⚠️ WARNUNG!

Bei falscher Einstellung der Sicherheitsräder kann der Rollstuhl nach hinten kippen.

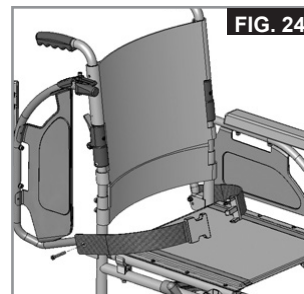
Optionen - Beckengurt

⚠️ WARNUNG!

Vor der Benutzung des Rollstuhls sicherstellen, dass der Sicherheitsgurt angelegt und richtig eingestellt ist.

Der Beckengurt ist wie abgebildet am Rollstuhl angebracht. Der Gurt besteht aus 2 Hälften. Sie werden mit der Befestigungsschraube für die Armlehne befestigt, die durch die Öse am Gurt gesteckt wird.

Der Gurt wird unter der Rückseite des Seitenteils entlang geführt. Bringen Sie den Gurt so an, dass sich die Schnallen in der Mitte des Sitzes befinden. (Fig. 24-25)



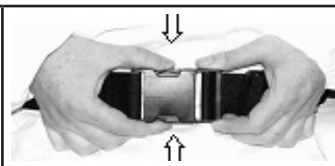
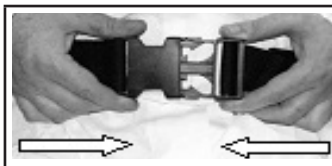
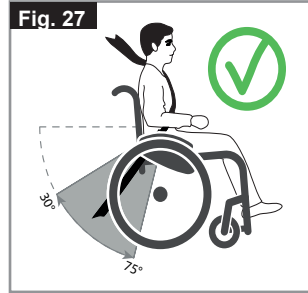
Passen Sie den Beckengurt wie folgt an den Benutzer an:

Gurt länger machen	Gurt kürzer machen:	✓
Ausführung A 	Ausführung A 	Ausführung A
Ausführung B 	Ausführung B 	Ausführung B
Um den Gurt länger zu machen, übrige Gurtlänge durch die Schlaufen und den Einsteckteil des Steckverschlusses fädeln.	Übrige Gurtlänge durch den Einsteckteil des Steckverschlusses und die Schlaufe zurück fädeln.	Darauf achten, dass der Gurt am Einsteckteil des Steckverschlusses keine Schlinge aufweist.

Optionen - Beckengurt>>>

Nach dem Ansnallen den Abstand zwischen dem Gurt und dem Benutzer prüfen. Bei richtiger Einstellung passt noch eine Handfläche zwischen den Gurt und den Benutzer. (Fig. 26)

Normalerweise sollte der Beckengurt so angebracht werden, dass sich die Gurte in einem Winkel von ca. 45° befinden; wenn er richtig eingestellt ist, darf der Benutzer im Sitz nicht nach unten rutschen. (Fig. 27)



Zum Ansnallen:
Das Einsteckteil des Steckverschlusses fest in das Gurtschloss stecken.

Zum Öffnen:
Die sichtbaren Teile des Einsteckteils des Steckverschlusses gleichzeitig zusammendrücken und zur Mitte schieben oder die Lösetaste am Gurtschloss drücken und vorsichtig auseinanderziehen.

HINWEISE FÜR DEN PATIENTEN

⚠ GEFAHR!

- Wenn Rollstuhl und Benutzer in einem Fahrzeug transportiert werden, verlassen Sie sich nicht nur auf den Beckengurt, benutzen Sie die separaten Beckengurte und diagonalen Schultergurte im Fahrzeug.
- Wir empfehlen, den Beckengurt vor der Benutzung darauf zu überprüfen, dass er richtig eingestellt ist und keine Behinderung oder übermäßige Abnutzung vorliegt und der Steckverschluss sicher im Gurtschloss einrastet.
- Wenn vor der Fahrt nicht überprüft wird, dass der Beckengurt gesichert und richtig eingestellt ist, könnte das schwere Körperverletzungen des Benutzers verursachen. Wenn z.B. der Gurt zu locker sitzt, kann der Benutzer im Rollstuhl nach unten rutschen und es besteht Erstickungsgefahr.

WARTUNG:

Prüfen Sie den Beckengurt und die Befestigungsteile in regelmäßigen Abständen auf Verschleißanzeichen oder Schäden. Je nach Bedarf muss er ausgetauscht werden. Den Beckengurt mit warmem Seifenwasser abwaschen und trocknen lassen.

⚠ GEFAHR!

Der Beckengurt muss wie oben beschrieben passend für den Fahrer eingestellt werden. Sunrise Medical empfiehlt auch, die Länge und Passform des Gurts regelmäßig zu überprüfen, um die Gefahr zu verringern, dass der Fahrer den Gurt aus Versehen zu lang einstellt. Wenn Sie Fragen zur Benutzung und Bedienung des Beckengurts haben, wenden Sie sich an Ihren, Rollstuhlhändler, Pfleger oder an Ihre Begleitperson.

Typenschild

TYPENSCHILD

Das Namenschild befindet sich entweder unter der Kreuzstrebeneinheit oder am diagonalen Rahmenrohr, auch auf dem Benutzerhandbuch befindet sich ein entsprechendes Etikett. Auf dem Namenschild sind das exakte Modell und andere technische Daten angegeben. Wenn Sie ein Ersatzteil bestellen oder einen Anspruch geltend machen, halten Sie bitte folgende Angaben bereit:



	SUNRISE MEDICAL		Sunrise Medical GmbH Kahlbachring 2-4 D-69254 Malsch / Germany		XXXX-XX-XX
TYPE:		Wheelchair, Rollstuhl, Fauteuil Roulant, Silla de Ruedas		SN	XXXXXXXXXXXXXXX
Unix2		ISO 7176-19:2008			
	XXX kg		max X°		XXX mm

CH	REP	Sunrise Medical AG Erlenuweg 17 CH-3110 Münsingen Schweiz/Suisse/Svizzera
-----------	------------	--

TYPE:	Produktbezeichnung/Artikelnummer
	Maximale Steigung bzw. maximales Gefälle, das mit den Sicherheitsrädern befahren werden kann, hängt von den Einstellungen des Rollstuhls, der Haltung und den physischen Fähigkeiten des Benutzers ab.
	Sitzbreite.
	Sitztiefe.
	Max. Gesamtgewicht.
	UKCA-Kennzeichnung.
	CE-Kennzeichnung.
	Ziehen Sie die Bedienungsanleitung zu Rate.
	XXXX-XX-XX Herstellungsdatum.
	Seriennummer.
	Dieses Symbol bedeutet Medizinprodukt.
	Adresse des Herstellers
ISO 7176-19:2008	Crash getestet nach ISO 7176-19:2008
	Adresse des Importeurs
	Verantwortliche Person (Vereinigtes Königreich)
	Adresse des Bevollmächtigten für die Schweiz

Da wir uns der kontinuierlichen Verbesserung der Konstruktion unserer Rollstühle verschrieben haben, können die technischen Daten etwas von den dargestellten Beispielen abweichen. Bei allen Angaben zu Gewichten/Abmessungen und Leistung handelt es sich um annähernde Werte und sie sind ausschließlich zur Information gedacht.

Alle Rollstühle müssen gemäß den Leitlinien des Herstellers benutzt werden.

Sunrise Medical GmbH
Kahlbachring 2-4
69254 Malsch/Heidelberg
Deutschland
Tel.: +49 (0) 7253/980-0
Fax: +49 (0) 7253/980-222
kundenservice@sunrisemedical.de
www.SunriseMedical.de

Reifen und Montage

REIFEN UND MONTAGE

Vollgummireifen werden werksseitig als Standardausstattung eingebaut.

Stellen Sie bei Luftreifen sicher, dass die Reifen immer den korrekten Luftdruck aufweisen, da sonst die Leistung des Rollstuhls beeinträchtigt werden kann. Wenn der Druck zu niedrig ist, erhöht sich die Reibung beim Fahren, und der Antrieb erfordert größeren Kraftaufwand. Auch die Manövrierfähigkeit wird von einem zu niedrigen Reifendruck beeinträchtigt. Wenn der Druck zu hoch ist, kann der Reifen platzen. Auf der Reifenoberfläche ist jeweils der korrekte Luftdruck angegeben.

Die Reifen werden wie gewöhnliche Fahrradreifen montiert. Bevor Sie den inneren Schlauch einlegen, achten Sie darauf, dass die Felge und die Innenseite des Reifens von Schmutzpartikeln frei sind. Nach der Montage oder Reparatur des Reifens, muss der Luftdruck geprüft werden. Für Ihre eigene Sicherheit und für die optimale Leistung des Stuhls ist es äußerst wichtig, dass sich die Reifen in gutem Zustand befinden und den vorgeschriebenen Druck aufweisen.

Tägliche Überprüfungen

⚠ VORSICHT!

Als Benutzer bemerken Sie mögliche Schäden als Erstes. Wir empfehlen daher, dass Sie vor jeder Benutzung die Punkte in der folgenden Liste überprüfen:

- Überprüfen Sie den korrekten Reifendruck.
- Überprüfen Sie, dass die Bremsen richtig funktionieren.
- Überprüfen Sie, ob alle abnehmbaren Teile sicher befestigt sind, z.B. Armlehnen, Fußrasten, Steckachsen usw.
- Überprüfen Sie den Rollstuhl auf sichtbare Schäden, z.B. an Rahmen, Rückenlehne, Sitz- und Rückenbespannung, Rädern, Fußplatte usw. Sollten Sie Schäden oder Funktionsfehler feststellen, wenden Sie sich bitte an Ihren autorisierten Fachhändler.

Fehlersuche

Rollstuhl hat Drall nach einer Seite

- Reifendruck überprüfen (nur bei Luftreifen).
- Prüfen, ob sich das Rad reibungslos dreht (Lager, Achse)
- Prüfen, dass die Lenkräder einheitlich eingestellt sind und richtig auf dem Boden aufliegen.
- Sicherstellen, dass sich die Lager der Lenkradgabel ungehindert drehen können.

Lenkräder beginnen zu flattern

- Prüfen, ob alle Bolzen fest sitzen; wenn nötig nachziehen (siehe unter Drehmoment).
- Prüfen, ob beide Lenkräder den richtigen Bodenkontakt haben.

Rollstuhl quietscht und klappert

- Prüfen, ob alle Bolzen fest sitzen; wenn nötig nachziehen (siehe unter Drehmoment).
- Etwas Schmieröl auf die Stellen träufeln, wo bewegliche Teile miteinander in Kontakt kommen.

Rollstuhl fängt an, zu schlingern

- Den Winkel der Laufradbefestigung prüfen.
- Prüfen Sie alle Reifen auf Abnutzung oder Schäden.
- Prüfen Sie, ob die Hinterräder uneinheitlich eingestellt oder befestigt sind.

Wartung und Pflege

WARTUNG

- Prüfen Sie alle 4 Wochen den Reifendruck. Prüfen Sie alle Reifen auf Abnutzung und Schäden.
- Prüfen Sie etwa alle 4 Wochen die Bremsen, um sicherzustellen, dass sie korrekt funktionieren und leicht zu bedienen sind.
- Wechseln Sie die Reifen, so wie Sie dies mit gewöhnlichen Fahrradreifen machen würden.
- Alle Gelenke, die für den Gebrauch des Rollstuhls wichtig sind, besitzen selbstsichernde Muttern. Bitte prüfen Sie alle drei Monate, ob alle Bolzen fest sitzen (siehe unter Drehmoment). Selbstsichernde Muttern sollten nur einmal verwendet und dann ausgewechselt werden.

- Verwenden Sie nur milde Reinigungsmittel, wenn der Rollstuhl schmutzig ist. Zum Reinigen der Sitzbespannung nur Wasser und Seife benutzen.
- Sollte Ihr Rollstuhl nass werden, trocknen Sie ihn bitte nach dem Gebrauch ab, um Rostbildung und Korrosion durch Salz zu verhindern.
- Alle 8 Wochen sollten die Schnellverschlussachsen mit etwas Nähmaschinenöl geschmiert werden. Je nach der Häufigkeit und Art der Benutzung, empfehlen wir den Rollstuhl alle 12 Monate vom ausgebildeten Personal des zugelassenen Fachhändlers warten zu lassen.

⚠ VORSICHT!

Durch Sand und Meerwasser (oder Salz im Winter) können die Lager der vorderen und hinteren Räder beschädigt werden. Reinigen Sie den Rollstuhl gründlich, wenn er solchen Bedingungen ausgesetzt war.

Die folgenden Teile können abgenommen werden und an den Hersteller / Händler zur Reparatur geschickt werden: Antriebsräder, Armlehne, Fußrastenhalter, Sicherheitsräder Diese Bauteile sind als Ersatzteile erhältlich. Weitere Informationen dazu entnehmen Sie dem Ersatzteilkatalog.

HYGIENEMASSNAHMEN BEI WIEDEREINSATZ:

Bevor der Rollstuhl wiedereingesetzt wird, muss er sorgfältig vorbereitet, eingestellt und hygienisch gereinigt werden. Alle Oberflächen, mit denen der Benutzer in Berührung kommt, müssen mit einem Desinfektionsmittel besprüht werden. Dafür muss ein in Ihrem Land zugelassenes/ empfohlenes Desinfektionsmittel zur schnellen Desinfektion auf Alkoholbasis für Medizinprodukte und -geräte verwendet werden, die schnell desinfiziert werden müssen. Bitte beachten Sie die Gebrauchsanweisung des Herstellers für das Desinfektionsmittel, das Sie benutzen. Im Allgemeinen kann an den Nähten keine vollständige Desinfektion garantiert werden. Wir empfehlen daher, die Sitz- und Rückenbespannung zu entsorgen, um eine mikrobielle Kontamination mit Wirkstoffen gemäß dem vor Ort geltenden Infektionsschutzgesetz zu vermeiden.

VERSTAUUNG

Den Rollstuhl bitte trocken lagern bzw. aufbewahren.

Entsorgung / Recycling von Materialien

HINWEIS: Wenn Ihnen der Rollstuhl kostenlos zur Verfügung gestellt wurde, gehört er Ihnen evtl. nicht. Wenn er nicht mehr benötigt wird, befolgen Sie die Anweisungen der Organisation, die den Rollstuhl zur Verfügung gestellt hat, um ihn zurückzugeben.

Im Folgenden werden die Materialien beschrieben, die für den Rollstuhl verwendet wurden im Hinblick auf die Entsorgung oder das Recycling des Rollstuhls und dessen Verpackung. Besondere Vorschriften bezüglich der Entsorgung oder dem Recycling können vor Ort gelten und diese müssen bei der Veranlassung der Entsorgung berücksichtigt werden. (Dazu gehören etwa die Reinigung oder Dekontaminierung des Rollstuhls vor der Entsorgung.)

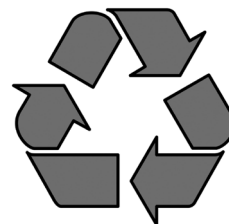
Stahl: Befestigungsteile, Steckachse, Fahrgestell, Schiebegriffe, Lenkradgabel

Kunststoff: Handgriffe, Rohrstopfen, Lenkräder, Fußplatten, Armpolster und 12" Rad/Reifen, Räder, Seitenteile.

Verpackung: Plastiktüte aus Polyethylen weich, Karton

Polsterung: Polyestergerewebe mit PVC-Beschichtung und schwer entflammbarem Schaumstoff.

Die Entsorgung oder das Recycling sollte über eine Entsorgungsfirma oder eine öffentliche Entsorgungsstelle erfolgen. Sie können Ihren Rollstuhl zur Entsorgung auch an Ihren Fachhändler zurückgeben.



Technische Daten

MAXIMALE ZULADUNG: 125 KG

SIEHE AUCH SEITE 4

Nach EN12183: 2009 sind alle aufgeführten Teile (Sitz- und Rückenbespannung, Armpolster, Seitenverkleidung...) schwer entflammbar gemäß EN1021-2.

Die dynamische Stabilität an Gefällen hängt von der Konfiguration des Rollstuhls, den Fertigkeiten und dem Fahrstil des Benutzers ab. Da die Fertigkeiten des Benutzers und der Fahrstil nicht vorherbestimmt werden können, kann der Höchstwert für das sichere Gefälle nicht bestimmt werden. Dieser muss vom Benutzer mit Hilfe einer Begleitperson ermittelt werden, um das Umkippen zu verhindern. Für unerfahrene Benutzer wird der Einbau von Sicherheitsrädern dringend empfohlen.

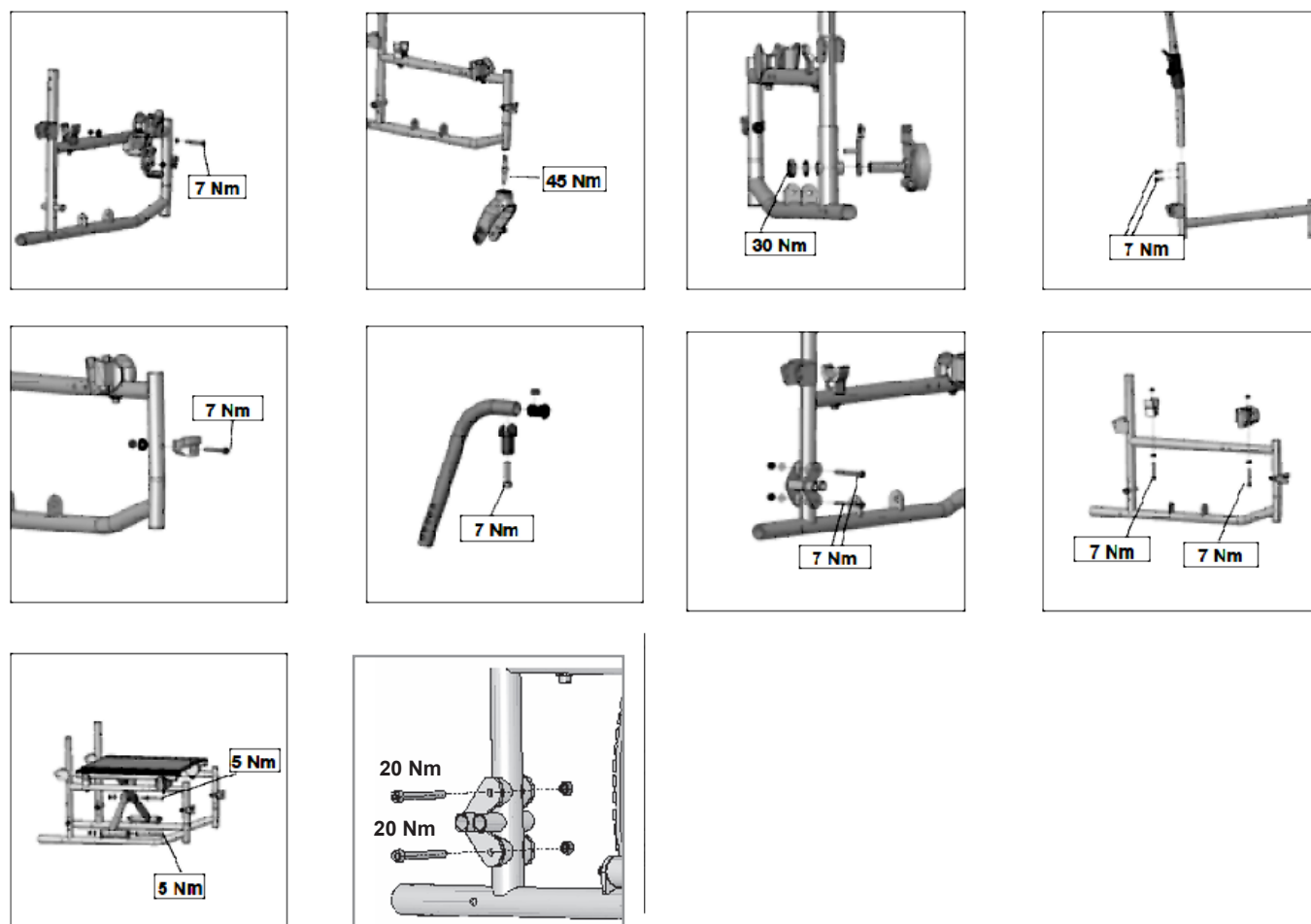
Der Rollstuhl stimmt mit den folgenden Standards überein:

- a) Anforderungen und Testmethoden für statische, Auswirkungs- und Ermüdungsstärke (ISO 7176-8)
- b) Anforderungen für Brandverhalten gemäß ISO 7176-16 (EN 1021-1)

Sitzhöhenverstellung

470 mm	8"	5	24"	B
510 mm	8"	1	24"	A

Drehmoment



Prefazione


GENTILE UTENTE,

ci congratuliamo con Voi per aver scelto un prodotto SUNRISE MEDICAL di alta qualità.

Questo manuale d'uso contiene numerosi suggerimenti ed indicazioni che serviranno a rendere più familiare ed affidabile la Vostra carrozzina.

Desideriamo che siate soddisfatti dei nostri prodotti e dell'assistenza ricevuta. Sunrise Medical lavora costantemente allo sviluppo dei suoi prodotti; è quindi possibile che vengano apportate modifiche alla gamma di prodotti proposti per quanto riguarda la forma, la tecnologia e l'equipaggiamento. Per questa ragione, eventuali reclami basati sui dati e sulle figure riportati in questo manuale d'uso non saranno accettati.

Il sistema di gestione di SUNRISE MEDICAL è certificato secondo gli standard ISO 13485 e ISO 14001.

 In quanto fabbricante, SUNRISE MEDICAL dichiara che questo prodotto è conforme a quanto previsto dal Regolamento sui Dispositivi Medici (2017/745).

NOTA:

Avvertenza generale per l'utente.

La mancata osservanza di queste istruzioni potrebbe causare lesioni fisiche, danneggiare il prodotto o l'ambiente!

Avviso per l'utente: Gli incidenti gravi riconducibili all'uso di questo dispositivo devono essere comunicati al fabbricante e alle Autorità competenti dello Stato dove l'utente risiede.

Personalizzazioni B4Me

Per garantire il corretto funzionamento del prodotto personalizzato B4Me, Sunrise Medical raccomanda vivamente di leggere con attenzione, prima del primo utilizzo, tutte le istruzioni ricevute con il prodotto B4Me.

Sunrise Medical raccomanda inoltre di conservare in modo sicuro le istruzioni ricevute, per eventuale riferimento futuro.

Combinazione di più dispositivi medici

Questo dispositivo medico può essere utilizzato in combinazione con altri dispositivi medici o altri prodotti. Informazioni sul possibile utilizzo di più dispositivi in combinazione sono disponibili sul sito www.Sunrisemedical.it. Tutte le combinazioni elencate sono state convalidate per soddisfare i Requisiti Generali di Sicurezza e Prestazioni, Sezione 14.1 del Regolamento Dispositivi Medici 2017/45.

Sul sito www.SunriseMedical.it sono disponibili le informazioni relative alle combinazioni possibili, come ad esempio le istruzioni per il montaggio.

Per qualsiasi domanda sull'uso, la manutenzione o la sicurezza della Vostra carrozzina Vi preghiamo di rivolgerVi ad un tecnico autorizzato Sunrise Medical.

Se nella Vostra zona non è presente un rivenditore, oppure se avete domande, potete contattare SUNRISE MEDICAL per iscritto o per telefono.

Sunrise Medical S.r.l.
Via Riva, 20 - Montale
29122 Piacenza
Tel: +39 0523 573111
Tel.: +39 0523 570060
www.SunriseMedical.it

Annotare l'indirizzo e il numero di telefono del rivenditore nello spazio riportato di seguito.
In caso di guasto rivolgersi immediatamente al rivenditore fornendo tutti i dettagli pertinenti in modo che possa trovare facilmente una soluzione.

Spiegazione dei simboli



IMPORTANTE:

PRIMA DI UTILIZZARE LA CARROZZINA, LEGGERE ATTENTAMENTE IL PRESENTE MANUALE.



AVVERTIMENTO!

Messaggi di avvertimento relativi a possibili rischi di incidente grave o morte.



AVVERTENZA!

Messaggi di avvertimento relativi a possibili rischi di lesioni.



ATTENZIONE!

Messaggi di avvertimento relativi a possibili danni tecnici.

NOTA:

Informazioni per il funzionamento del prodotto.

Sommaro	
Componenti della carrozzina	2
Prefazione	31
Spiegazione dei simboli	31
Sommaro	32
Utilizzo	32
Area di applicazione	32
Note generali sulla sicurezza e limitazioni di guida	33
Garanzia	34
Trasportabilità	35
Uso	37
Opzioni - Pedana per il ribaltamento	37
Opzioni - Freni	37
Opzioni - Portastampelle	37
Opzioni - Appoggiapiedi	38
Opzioni - Ruote anteriori	38
Opzioni - Spondine	39
Opzioni - Schienale	39
Opzioni - Tavolino terapeutico	39
Opzioni - Ruotine antiribaltamento	39
Opzioni - Cintura pelvica	39
Targhetta di identificazione	41
Copertoni e montaggio dei copertoni	42
Controlli quotidiani	42
Risoluzione dei problemi	42
Manutenzione e cura	42
Smaltimento / Riciclaggio dei materiali	42
Dati tecnici	43
Regolazione dell'altezza della seduta	43
Coppia di serraggio	43

Utilizzo

Le carrozzine in acciaio sono destinate esclusivamente all'utilizzo, al chiuso e all'aperto, da parte di utenti non in grado di camminare o con mobilità è limitata, su superfici asciutte, piane e rigide, spinte dall'utente stesso o da un accompagnatore.

La portata massima (rappresentata dal peso dell'utente più il peso di eventuali accessori montati sulla carrozzina e di oggetti trasportati dall'utente) è indicata sull'etichetta del numero di serie, situata sulla crociera o sulla barra stabilizzatrice sotto la seduta.

La garanzia è valida soltanto se il prodotto viene impiegato alle condizioni indicate e secondo le destinazioni d'uso specifiche.

La durata prevista della carrozzina è 5 anni. NON usare o montare componenti di altri produttori sulla carrozzina a meno che non siano stati approvati ufficialmente da Sunrise Medical.

Area di applicazione

Indicazioni

La varietà dell'equipaggiamento e la struttura modulare consentono l'impiego di questo prodotto da parte di utenti non in grado di camminare o con mobilità limitata a causa di:

- Paralisi
- Perdita di uno o di entrambi gli arti inferiori (amputazione)
- Difetti/Deformità degli arti inferiori
- Contratture/Danni articolari
- Malattie di tipo cardiaco o circolatorio, disturbi dell'equilibrio o cachessia, patologie neurologiche, distrofia muscolare, emiplegia. È adatta anche per persone più anziane con forza sufficiente nella parte superiore del corpo.

Controindicazioni

Usare la carrozzina SOLO IN PRESENZA DI UN ASSISTENTE in caso di:

- Disfunzioni percettive
- Disfunzioni dell'equilibrio
- Perdita di entrambe le braccia, se non già assistiti un accompagnatore
- Contratture o lesioni articolari su entrambe le braccia
- Gravi problemi posturali

Per la scelta del modello, occorre anche considerare la statura e il peso corporeo, le condizioni psicofisiche, l'età dell'utente e l'ambiente in cui vive.

NOTA:

Tenere presente che la guida di una carrozzina richiede capacità cognitive, fisiche e visive adeguate. L'utente, quando usa la carrozzina, deve essere in grado di valutare gli effetti delle proprie azioni e, se necessario, correggerle. Sunrise Medical, in quanto fabbricante, non è in grado di valutare tali capacità e l'uso in condizioni di sicurezza di eventuali componenti aggiuntivi installati sul prodotto. Sunrise Medical non può accettare alcuna responsabilità per danni derivanti da un uso del prodotto non previsto o non corretto.

Fare riferimento alle istruzioni per l'uso della carrozzina e dei componenti aggiuntivi installati. Mettere al corrente l'utente sull'uso in sicurezza della carrozzina e dei componenti aggiuntivi installati. Mettere al corrente l'utente sulle avvertenze specifiche che dovrà leggere, comprendere e rispettare.

Note generali sulla sicurezza e limitazioni di guida

La carrozzina è stata progettata e costruita per garantire la massima sicurezza dell'utente. Tutte le norme sulla sicurezza vigenti a livello internazionale vengono strettamente osservate se non addirittura superate.

Ciononostante l'utente può trovarsi in situazioni di pericolo se la carrozzina viene utilizzata in modo non appropriato. Per garantire la Vostra sicurezza, è assolutamente necessario rispettare le seguenti regole.

Modifiche o regolazioni eseguite in modo errato o da personale non autorizzato aumentano il rischio di incidenti. Quali utenti di una carrozzina, Voi prendete parte alla circolazione stradale. Per questo motivo desideriamo ricordarVi che avete l'obbligo di rispettare le regole vigenti sulla circolazione stradale.

Se usate la carrozzina per la prima volta, guidate con prudenza.

Familiarizzate con la nuova carrozzina.

Prima di ogni spostamento, effettuare controlli sulle parti seguenti:

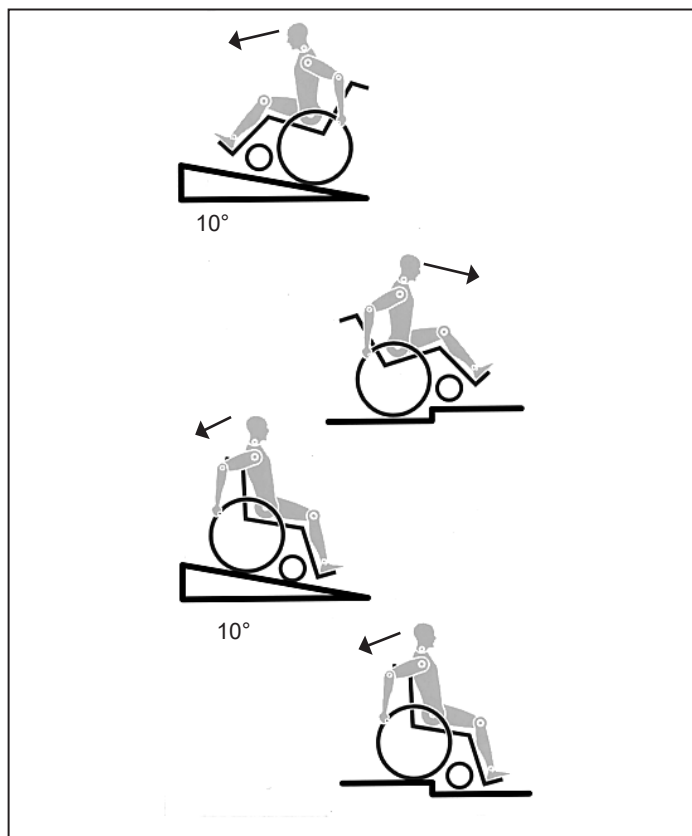
- assi fissi o ad estrazione rapida sulle ruote posteriori
- velcro sulla superficie della seduta e sullo schienale
- copertoni, pressione dei pneumatici e freni.

Prima di procedere ad una qualsiasi modifica delle regolazioni, è importante leggere il relativo capitolo del manuale d'uso.

È possibile che durante percorsi in salita o in discesa la carrozzina possa correre il rischio di ribaltarsi a causa di buche nel terreno o di un fondo irregolare. Per salire su un gradino o percorrere una salita frontalmente, consigliamo di piegare il corpo in avanti.

AVVERTIMENTO!

- L'utente e gli oggetti eventualmente trasportati sulla carrozzina non devono MAI superare la portata massima di 125 kg. Se si supera la portata massima, la carrozzina può danneggiarsi oppure l'utente può cadere, ribaltarsi o perdere il controllo e causare così lesioni gravi a se stesso o ad altre persone.
- In condizioni di oscurità, si raccomanda di indossare indumenti chiari o con applicazioni riflettenti per essere meglio visibili. Controllare che i catarifrangenti applicati sui lati e sul retro della carrozzina siano ben visibili.
- Si raccomanda anche di montare un fanale.
- Per evitare cadute e situazioni pericolose, esercitarsi inizialmente su un terreno pianeggiante con buona visibilità.
- Non utilizzare l'appoggiapiedi per salire o scendere dalla carrozzina.



- Prima dell'operazione, ribaltare la pedana e ruotarla il più possibile verso l'esterno. Mettersi sempre il più vicino possibile al luogo dove ci si vuole sedere.
- Utilizzare la carrozzina sempre con attenzione. Ad esempio, non cercare di superare un ostacolo (uno scalino o il bordo di un marciapiede) senza frenare ed evitare le buche.
- I freni non sono stati progettati per rallentare la carrozzina. Essi assicurano che le ruote della carrozzina non si muovano in modo inaspettato quando la carrozzina è ferma. Se ci si ferma su una superficie irregolare, azionare sempre i freni per evitare il movimento non desiderato della carrozzina. Ricordiamo di azionare entrambi i freni al fine di evitare il ribaltamento della carrozzina.
- Se viene modificato il centro di gravità, osservare con attenzione come si comporta la carrozzina, ad esempio su pendii, superfici inclinate, pendenze di ogni tipo o quando si superano degli ostacoli. Durante questa operazione, chiedere l'aiuto di un assistente.
- In caso di regolazioni estreme (ad es. se la carrozzina è regolata con le ruote posteriori molto in avanti) e l'utente ha una postura errata, la carrozzina può ribaltarsi anche su una superficie piana.
- Sporgere il tronco in avanti se si sta percorrendo una salita o si deve salire un gradino.
- Sporgere il tronco all'indietro se si sta percorrendo una discesa o si deve scendere da un gradino. Non tentare di salire o scendere diagonalmente.
- Evitare l'uso delle scale mobili, in quanto si potrebbero subire lesioni gravi in caso di caduta.
- Non usare la carrozzina su pendii > 10°. La pendenza superabile in movimento dipende dalla configurazione della carrozzina, dalle capacità dell'utente e dallo stile di guida. Dal momento che non è possibile conoscere in anticipo le capacità dell'utente e il suo stile di guida, la pendenza superabile massima è un parametro che non può essere definito in anticipo e deve pertanto essere determinata dall'utente con l'aiuto di un accompagnatore per evitare di cadere. Si raccomanda agli utenti inesperti di montare le routine antiribaltamento.
- È possibile che durante percorsi in salita o in discesa la carrozzina possa correre il rischio di ribaltarsi a causa di buche nel terreno o di un fondo irregolare.
- Non usare la carrozzina su terreni fangosi o ghiacciati.
- Non usare la carrozzina in aree vietate ai pedoni.
- Per evitare lesioni alle mani non infilare le dita tra i raggi o tra la ruota posteriore e il freno durante la guida.
- In particolare, quando si utilizzano corrimani in metallo leggeri, le dita si surriscaldano facilmente se si frena ad una velocità elevata o su lunghe discese.
- Per salire le scale, chiedere assistenza. Utilizzare gli ausili eventualmente disponibili, ad esempio rampe o ascensori. Se questi ausili non sono disponibili, la carrozzina deve essere inclinata e spinta (mai sollevata) lungo la scala da due persone. Si raccomanda agli utenti di peso superiore ai 100 kg di evitare questa manovra di trasferimento. Se sulla carrozzina sono montate le ruote antiribaltamento assicurarsi che siano regolate in modo che non urtino contro i gradini per evitare cadute. Se sulla carrozzina sono montate le ruote antiribaltamento assicurarsi che siano regolate in modo che non urtino contro i gradini per evitare cadute.
- Assicurarsi che l'accompagnatore tenga la carrozzina utilizzando solo le parti ben fissate. Non usare parti rimovibili (p. es. gli appoggiapiedi o le spondine)
- Quando si utilizza una rampa, assicurarsi che le ruote antiribaltamento siano posizionate in modo da non essere di intralcio.
- Su terreni impervi o in fase di trasferimento (ad esempio in auto) azionare i freni per bloccare la carrozzina.

⚠️ AVVERTIMENTO!

- Se e quando possibile, durante il trasporto in un veicolo adeguato per il trasporto di disabili, usare il sedile e il sistema di ritenuta del veicolo. Questo è il solo modo per garantire la massima sicurezza agli occupanti in caso di incidente.
- A seconda del diametro e della regolazione delle ruote anteriori nonché del centro di gravità, le ruote anteriori possono vibrare a velocità elevate e quindi bloccarsi causando il ribaltamento della carrozzina. Assicurarsi pertanto che le ruote anteriori siano regolate correttamente (vedere la sezione "Ruote anteriori").
- In particolare su un pendio viaggiare a velocità ridotta e non utilizzare la carrozzina senza frenarla. Gli utenti inesperti devono utilizzare le routine antiribaltamento.
- Le routine antiribaltamento impediscono alla carrozzina di ribaltarsi accidentalmente all'indietro. Non utilizzarle mai al posto delle ruote da transito o per trasportare un utente in carrozzina senza le ruote posteriori.
- Per raccogliere oggetti situati davanti, di lato o dietro la carrozzina, non sporgersi troppo dalla carrozzina perché se si cambia il centro di gravità si rischia di cadere o ribaltarsi. Il peso supplementare di uno zaino o altri oggetti appesi ai tubi dello schienale può influire sulla stabilità della carrozzina nella parte posteriore, specialmente quando si usa uno schienale reclinabile. Questo può causare il ribaltamento all'indietro della carrozzina con conseguente rischio di lesioni.
- Per gli utenti con amputazione sopra il ginocchio utilizzare le routine antiribaltamento.
- Prima di partire, controllare la pressione dei pneumatici. La pressione delle ruote posteriori deve essere almeno 3,5 bar (350 kPa). La pressione massima è indicata sul pneumatico. I freni funzionano soltanto con un'adeguata pressione dei pneumatici ed una corretta regolazione (vedere il capitolo "Freni").
- Se il rivestimento della seduta o dello schienale risultasse danneggiato, sostituirlo immediatamente.
- Fare attenzione ad evitare il contatto con il fuoco, in particolare con sigarette accese.
- Se la carrozzina è esposta alla luce diretta del sole / a temperature fredde per un lungo periodo di tempo, alcune parti (per es. telaio, pedane, freni e spondine) potrebbero riscaldarsi (>41 °C) o raffreddarsi (<0°) troppo.
- Controllare sempre che gli assi ad estrazione rapida sulle ruote posteriori, se presenti, siano montati correttamente e bloccati (i cuscinetti a sfera bloccanti devono essere visibili completamente attraverso il manicotto dell'asse). Se il pulsante dell'asse ad estrazione rapida non è premuto, la ruota posteriore non può essere rimossa.

⚠️ ATTENZIONE!

- L'efficienza del freno, come anche la tenuta generale su strada, dipendono dalla pressione dei pneumatici. La carrozzina si manovra molto meglio e più facilmente quando le ruote posteriori sono gonfiate correttamente, entrambe alla stessa pressione.
- Controllare lo stato dei battistrada dei pneumatici!
- Quando si circola su strade pubbliche, si deve rispettare il codice di circolazione stradale.
- Fare sempre attenzione quando si utilizza o si regola la carrozzina!
- Le regolazioni che richiedono l'uso di utensili devono essere sempre eseguite da un tecnico autorizzato.
- Pulire la carrozzina regolarmente per evitare la formazione di ruggine e la corrosione salina.
- Assicurarsi che i rivetti, i dadi e i bulloni siano ben stretti e che i componenti della carrozzina non rischiano di staccarsi.
- Fare attenzione a non rimanere intrappolati con le dita nelle parti mobili. Maneggiare con cura.
- I prodotti illustrati e descritti nel presente manuale possono essere leggermente diversi nei dettagli dal modello in vostro possesso. Tuttavia tutte le istruzioni sono pertinenti, a prescindere dalle differenze nei dettagli.
- Il produttore si riserva il diritto di alterare senza preavviso i pesi, le misure e altri dati tecnici riportati nel presente manuale. Tutte le cifre, le misure e le capacità indicate nel presente manuale sono approssimative e non costituiscono delle specifiche.

⚠️ AVVERTIMENTO!

PERICOLO DI SOFFOCAMENTO – Questo ausilio per la mobilità contiene piccole parti che possono costituire un rischio di soffocamento per i bambini piccoli.

Durata

La durata prevista di questo prodotto è 5 anni, sempre che venga usato nel rigido rispetto dell'uso al quale è destinato vengano soddisfatti tutti i requisiti di assistenza e manutenzione previsti.

Garanzia

GARANZIA

QUESTO NON HA ALCUN EFFETTO SUI VOSTRI DIRITTI LEGALI.

Condizioni della garanzia

1) La riparazione o la sostituzione delle parti in garanzia saranno eseguite da un tecnico o da un rivenditore autorizzato Sunrise Medical.

2) Qualora si rendesse necessario fare esaminare il prodotto durante il periodo di validità della garanzia, avvisare immediatamente il rivenditore autorizzato Sunrise Medical, fornendo tutte le informazioni relative al problema verificatosi. Nel caso in cui l'utente si trovi in una località lontana dalla sede del rivenditore Sunrise Medical di riferimento, la riparazione o la sostituzione prevista dalle condizioni di garanzia potrà essere eseguita da un altro rivenditore designato da Sunrise Medical.

3) Se è necessario fare riparare o sostituire una parte qualsiasi della carrozzina in seguito a un difetto di materiale o di fabbricazione specifico, entro 24 mesi (5 anni per il telaio o la crociera) dalla data di acquisto dell'acquirente originale, e sempre che il prodotto sia ancora di sua proprietà, la parte o le parti saranno riparate o sostituite gratuitamente se inviate al rivenditore autorizzato.

Nota: questa garanzia non è trasferibile.

4) Per qualsiasi componente riparato o sostituito, l'utente beneficerà di queste disposizioni per il periodo rimanente della garanzia applicabile alla carrozzina.

5) I componenti sostituiti dopo la scadenza della garanzia originale sono coperti per altri 12 mesi.

6) Le parti di consumo deperibili non saranno coperte da garanzia durante il normale periodo di garanzia a meno che non presentino chiari segni di logorio eccessivo dovuto direttamente a un difetto di produzione. Queste parti includono, ma non si limitano a: rivestimento di stoffa, pneumatici, camere d'aria e parti simili.

7) Le condizioni della garanzia riportate sopra sono valide per tutte le parti del prodotto, per i modelli acquistati a prezzo pieno.

8) In circostanze normali, non si accetta alcuna responsabilità qualora sia stato necessario riparare o sostituire il prodotto come risultato diretto dei seguenti fattori:

- a) Il prodotto o un suo componente non è stato mantenuto in buono stato, o non sono stati effettuati i necessari interventi di manutenzione, secondo le raccomandazioni del produttore, come indicato nel Manuale d'uso e/o nel Manuale tecnico. Non sono state usate solo parti originali.
- b) Il prodotto, o parte di esso, ha subito dei danni a causa di negligenza, incidente o uso improprio.
- c) Il prodotto, o parte di esso, è stato alterato rispetto alle specifiche del produttore, o le riparazioni sono state eseguite prima di aver avvisato il tecnico autorizzato.
- d) Il prodotto presenta segni di corrosione dovuti ad una cattiva manutenzione

Trasportabilità

⚠ AVVERTIMENTO!

Il rischio di gravi lesioni o di decesso aumenta pericolosamente se questa raccomandazione viene ignorata.

TRASPORTO DELLA CARROZZINA SU UN VEICOLO:

Una carrozzina fissata su un veicolo non fornisce lo stesso livello di protezione e sicurezza del sedile del veicolo stesso. Si raccomanda di utilizzare sempre per l'utente il sedile del veicolo. Poiché non è sempre possibile trasferire l'utente sul sedile del veicolo, qualora sia necessario trasportare l'utente seduto in carrozzina, attenersi alle istruzioni seguenti:

1. verificare che il veicolo sia dotato dell'equipaggiamento adatto per il trasporto di un passeggero seduto in carrozzina ed assicurarsi che le modalità di accesso al veicolo siano idonee al tipo di carrozzina. Il pianale del veicolo deve avere la resistenza necessaria per sostenere il peso complessivo dell'utente, della carrozzina e degli accessori.

2. Attorno alla carrozzina deve essere disponibile uno spazio sufficiente per consentire un facile accesso per agganciare, stringere e sganciare le cinghie di ancoraggio della carrozzina e le cinghie di ritenuta per l'utente.

La carrozzina occupata deve essere rivolta in avanti e fissata con la cinghia di ancoraggio della carrozzina e le cinghie di ritenuta per l'utente (sistemi WTORS che soddisfano i requisiti dello standard ISO 10542 o SAE J2249) in conformità alle istruzioni del produttore dei WTORS.

4. L'utilizzo della carrozzina in altre posizioni, all'interno di un veicolo non è stato testato. Ad esempio, non trasportare mai la carrozzina rivolta lateralmente (Fig. A).

5. La carrozzina deve essere fissata con un sistema di ritenuta ad ancoraggio a norma ISO 10542 o SAE J2249 con cinghie anteriori non regolabili e cinghie posteriori regolabili dotate generalmente di fermi Karabiner/ganci a S e supporti di fissaggio con fibbia e linguetta. Questi sistemi di ritenuta comprendono normalmente 4 cinghie separate da agganciare ciascuna ad un angolo della carrozzina.

6. Le cinghie di ancoraggio devono essere fissate al telaio centrale della carrozzina, come illustrato nell'immagine nella pagina seguente, e non ad altri attacchi o accessori, ad es. non attorno ai raggi delle ruote, ai freni o agli appoggiapiedi.

7. Agganciare le cinghie di ancoraggio in modo che l'inclinazione sia il più vicino possibile a un angolo di 45° e stringerle bene seguendo le istruzioni del fabbricante.

8. Non effettuare alterazioni o sostituzioni dei punti di fissaggio o della struttura, del telaio o dei componenti della carrozzina senza consultare il fabbricante. La mancata osservanza di questa avvertenza farà sì che la carrozzina Sunrise Medical non sia più considerata idonea al trasporto su un veicolo a motore.

9. Usare sia la cintura pelvica sia la cintura toracica per assicurare l'utente e ridurre la possibilità di impatto della testa e del torace con i componenti del veicolo e il conseguente grave rischio di lesioni all'utente e agli altri occupanti del veicolo. (Fig. B) La cintura toracica deve essere fissata al montante "B" del veicolo; la mancata osservanza di questa istruzione può aumentare il rischio di gravi lesioni addominali all'utente.

10. Installare un appoggiatesta idoneo per il trasporto (si veda l'etichetta sull'appoggiatesta) e posizionarlo sempre adeguatamente durante il trasporto.

11. Non utilizzare come sistemi di ritenuta in un veicolo in movimento supporti posturali per l'utente (cinghie pelviche, cinture pelviche) che non siano etichettati a norma dei requisiti specificati nello standard ISO 7176-19 o SAE J2249.

12. La sicurezza dell'utente durante il trasporto dipende dall'accuratezza impiegata nell'assicurare le cinghie di ancoraggio. Questa operazione deve essere eseguita da persone che abbiano ricevuto adeguate istruzioni e/o addestramento per l'uso.

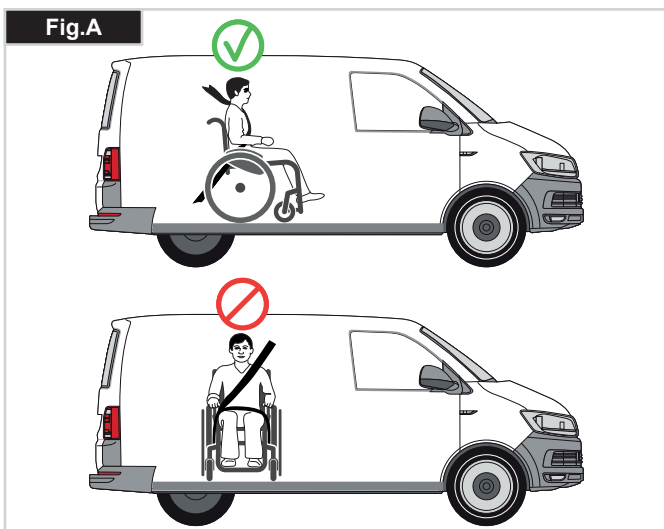
13. Quando possibile, rimuovere e riporre tutta l'attrezzatura ausiliaria della carrozzina, per esempio: portastampelle, cuscini e tavolini.

14. La pedana articolata/elevabile non deve essere usata in posizione elevata durante il trasporto di carrozzina e utente, con la carrozzina fissata mediante i sistemi di ritenuta idonei.

15. Se lo schienale è reclinato, riportarlo in posizione verticale.

16. Il freno deve essere attivato.

17. Fissare i sistemi di ritenuta al montante "B" del veicolo e assicurarsi che tra le cinture e il corpo non vi siano componenti della carrozzina, come bracciali o ruote.



ISTRUZIONI PER I SISTEMI DI RITENUTA DELL'OCCUPANTE:

1. Indossare la cintura pelvica bene in basso, contro il bacino, in modo che l'angolo in inclinazione sia compreso tra 30 e 75 gradi rispetto al piano orizzontale.
Si consiglia di regolare la cintura in modo che l'angolo sia il più vicino possibile a 75 gradi, ma non li superi. (Fig. C)
2. Far passare la cintura toracica sopra la spalla e lungo il torace come illustrato nelle Figure D ed E
Stringere le cinture di ritenuta il più possibile, assicurando al contempo il comfort dell'utente.
Assicurarsi che le cinture di ritenuta non si attorciglino durante l'uso.
Far passare la cintura di ritenuta della parte superiore del tronco sopra la spalla e lungo il torace come illustrato nelle Figure D ed E.
3. I punti di attacco alla carrozzina sono la parte laterale anteriore interna, appena sopra la ruota anteriore, e la parte laterale posteriore del telaio. Le cinghie sono fissate intorno alle parti laterali del telaio, al punto di intersezione tra i tubi orizzontali e verticali. (Vedere Figg. G - K).
4. Il simbolo di ancoraggio (Fig. F) sul telaio della carrozzina indica la posizione delle cinture di ritenuta. Le cinghie posteriori devono essere messe in tensione dopo avere fissato le cinghie anteriori per fissare la carrozzina.

PESO DELL'UTENTE INFERIORE A 22 Kg

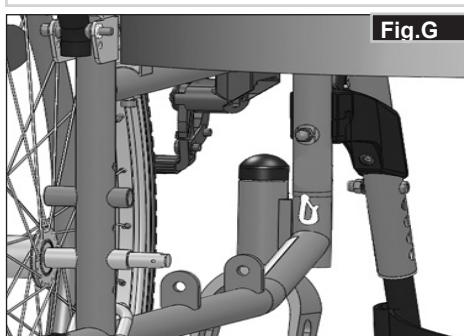
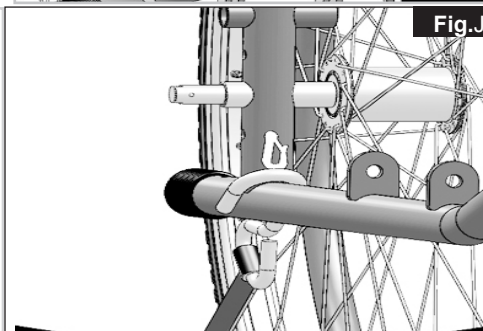
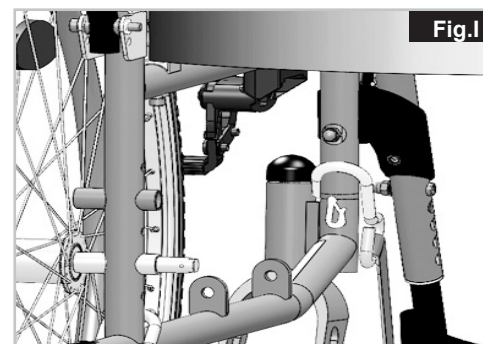
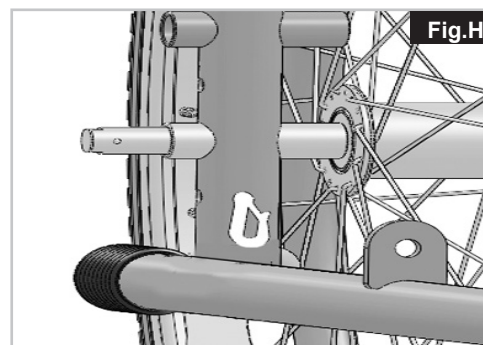
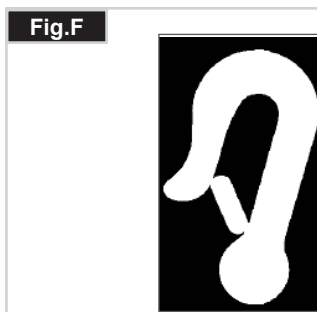
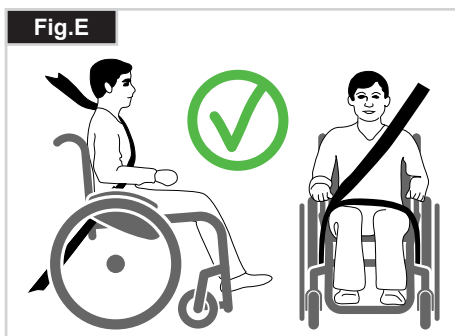
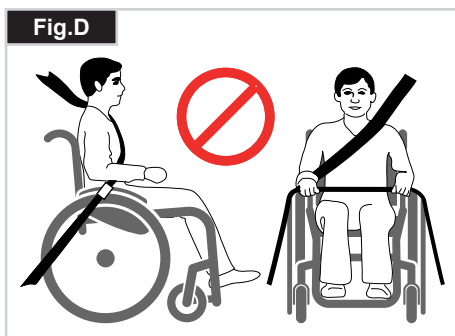
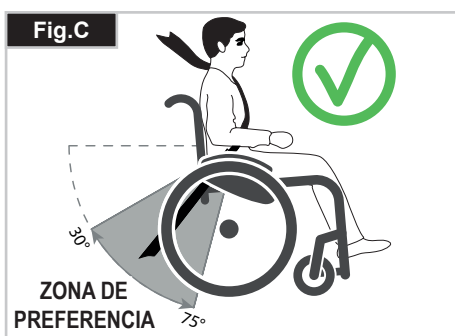
Qualora l'utente da trasportare sia un bambino di peso inferiore a 22 Kg e il veicolo impiegato abbia meno di otto (8) posti passeggero, si raccomanda l'uso di un sistema di ritenuta per bambini (SRB) conforme al Regolamento n. 44 dell'UNECE.

Questo tipo di sistema di ritenuta fornisce un ancoraggio più efficace per l'occupante rispetto al sistema convenzionale a 3 punti; inoltre, alcuni sistemi SRB prevedono anche supporti posturali per aiutare a mantenere il bambino in posizione corretta quando è seduto. In alcune circostanze, genitori o assistenti potrebbero decidere di lasciare il bambino sulla carrozzina durante il trasporto, grazie al livello di controllo della postura e al comfort garantito dall'assetto della carrozzina.

In queste circostanze, si raccomanda di fare effettuare una valutazione dei rischi da parte dell'assistente sanitario o di altre persone competenti.

Posizionamento delle cinghie di ancoraggio sulla carrozzina

1. Posizione delle etichette di ancoraggio anteriori e posteriori (Fig. G - H).
2. Posizione delle cinghie di ancoraggio anteriore (Fig. I) e posteriore (Fig. J) e dell'etichetta di ancoraggio sulla carrozzina.
3. Vista laterale delle cinghie di ancoraggio (Fig. K).



Uso

CHIUSURA

Per prima cosa togliere eventualmente il cuscino della carrozzina e ribaltare la pedana o gli appoggipiedi separati. Afferrare il rivestimento o i tubi della seduta al centro da dietro e tirarli verso l'alto. La carrozzina si richiuderà. A seconda del modello, è possibile rimuovere la pedana per ridurre al minimo l'ingombro, ad es. per trasportare la carrozzina in auto. A questo scopo, sbloccare la leva all'esterno e spostare la pedana lateralmente quindi estrarre la pedana dalla sede (Fig. 1).

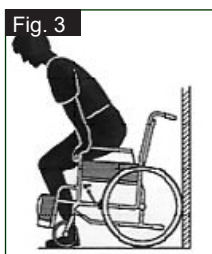


APERTURA

Premere sui tubi della seduta (vedere figura). La carrozzina si aprirà. Spingere i tubi fino a bloccarli in posizione nel telaio della seduta. Per semplificare questa operazione, tenere la carrozzina inclinata lateralmente in modo da alleggerire il peso su una ruota posteriore. **Fare attenzione a non infilare le dita nella crociera.** Riposizionare il cuscino (Fig. 2).

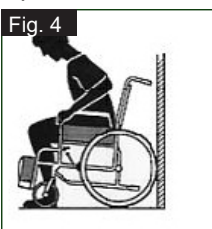
Come sedersi da soli in carrozzina (Fig. 3)

- Spingere la carrozzina contro una parete o un mobile ben solido;
- Assicurarsi che i freni siano azionati;
- Accertarsi che la pedana o gli appoggipiedi siano sollevati;
- Quindi sedersi in carrozzina;
- Abbassare la pedana ed appoggiare i piedi davanti ai cinturini fermapiedi.



Come scendere da soli dalla carrozzina (Fig. 4)

- Assicurarsi che i freni siano azionati;
- Accertarsi che la pedana o gli appoggipiedi siano sollevati;
- Con le mani appoggiate sui braccioli, piegarsi leggermente in avanti per spostare il peso del corpo verso la parte anteriore della seduta. Quindi appoggiare i piedi per terra, con uno dei due piedi bene indietro, ed alzarsi.



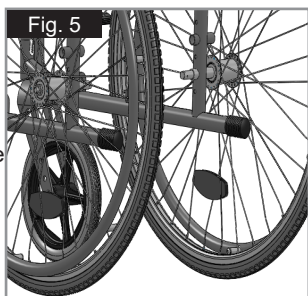
⚠ AVVERTENZA!

Quando si è in piedi, non appoggiarsi sugli appoggipiedi o la carrozzina potrebbe ribaltarsi. È più facile e più sicuro sedersi sulla carrozzina se gli appoggipiedi sono sollevati in modo che non siano di intralcio o staccati dalla carrozzina.

Opzioni - Pedana per il ribaltamento

PEDANA PER RIBALTAMENTO (FIG. 5)

La pedana per il ribaltamento della carrozzina è utilizzata dall'accompagnatore per il superamento di un ostacolo. Premere semplicemente con il piede sulla pedana e la carrozzina si inclinerà all'indietro per salire, ad esempio, sul cordolo di un marciapiede.

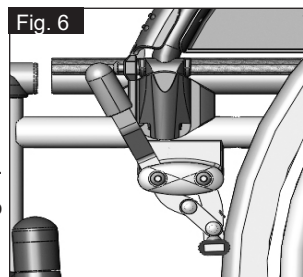


NOTA: Sunrise Medical raccomanda di utilizzare la pedana per il ribaltamento su tutti i modelli qualora si preveda l'intervento di un accompagnatore. I tubi dello schienale della carrozzina potrebbero danneggiarsi se vengono utilizzati ripetutamente, senza pedana per il ribaltamento, come leva per il superamento di ostacoli.

Opzioni - Freni

FRENI

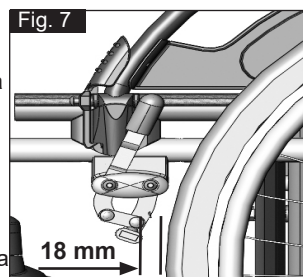
La carrozzina è dotata di due freni. I freni agiscono direttamente sui pneumatici. Per bloccare la ruota, spostare in avanti entrambe le leve del freno sino al loro arresto. Per sbloccare la ruota, riportare le leve del freno nella posizione di partenza.



L'azione dei freni sarà ridotta in caso di:

- profilo consumato dei pneumatici
- insufficiente pressione dei pneumatici
- pneumatici bagnati
- freno regolato non correttamente.

I freni non sono stati progettati per essere azionati quando la carrozzina è in movimento. Non azionare mai i freni durante la guida. Freinare sempre aiutandosi con i corrimani. Verificare che la distanza tra il freno ed il pneumatico sia conforme alle specifiche. Per la regolazione, allentare la vite e regolare la distanza corretta. Avvitare di nuovo la vite (Fig. 6 e 7).

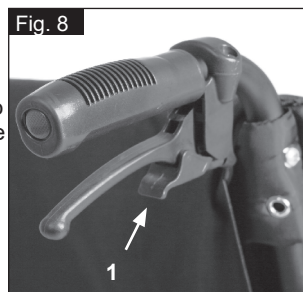


⚠ ATTENZIONE!

- dopo ogni modifica della posizione delle ruote posteriori, controllare la regolazione dei freni e se necessario provvedere nuovamente alla loro regolazione.
- Se la prolunga del freno viene montata in modo non corretto, sarà necessario uno sforzo maggiore per azionare i freni e ciò potrebbe causare la rottura della prolunga.
- Non appoggiarsi sulla prolunga del freno mentre si sale e si scende dalla carrozzina, per evitare che si rompa. Gli spruzzi d'acqua provenienti dalle ruote possono causare il malfunzionamento dei freni.

FRENI A TAMBURO

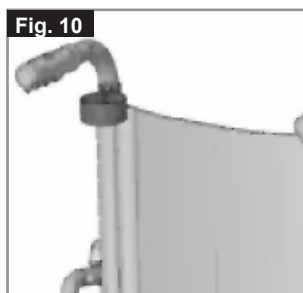
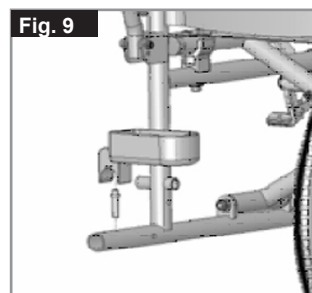
I freni a tamburo permettono all'accompagnatore di frenare in modo funzionale e sicuro. Possono essere azionati con l'ausilio di una leva di blocco (1) per impedire qualsiasi spostamento indesiderato. Lo scatto della leva di blocco deve essere ben udibile. I freni a tamburo funzionano indipendentemente dalla pressione degli pneumatici (Fig. 8).



⚠ AVVERTENZA!

- I freni a tamburo devono essere regolati solamente da un rivenditore autorizzato.
- Per avere sempre sotto controllo la direzione di marcia, attivare sempre i 2 freni simultaneamente!
- I freni a tamburo dovranno essere usati unicamente per arrestare la carrozzina in movimento.
- Per mantenere ferma la carrozzina per periodi di tempo brevi o lunghi, oppure durante il trasferimento dell'utente, attivare sempre i freni per il blocco delle ruote.

Opzioni - Portastampelle



Opzioni - Appoggiapiedi

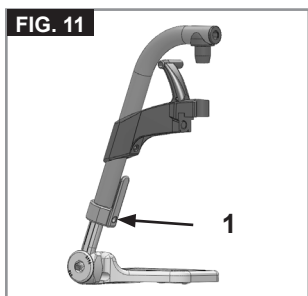
APPOGGIAPIEDI:

Gli appoggiapiedi possono essere sollevati per facilitare i trasferimenti nella carrozzina.

Ciascuna parte pesa 1,0 kg

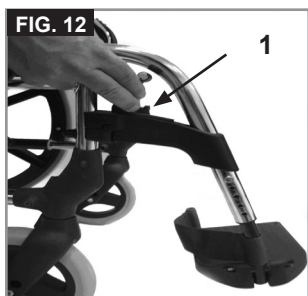
LUNGHEZZA PEDANA:

Per utenti con gambe più lunghe la pedana può essere abbassata all'altezza desiderata utilizzando le viti (1). Allentare le viti, sistemare i tubi nella posizione desiderata, quindi stringere le viti (vedere la sezione sulle coppie di serraggio). Devono esserci sempre almeno 3 cm tra la pedana e il terreno, (Fig. 11).



APPOGGIAPIEDI E RELATIVO FERMO

Le pedane possono essere ruotate verso l'interno, sotto la seduta, o verso l'esterno. Quando si monta la pedana, assicurarsi che gli appoggiapiedi siano rivolti verso l'interno o verso l'esterno, quindi ruotarla verso l'interno fino a quando non si blocca in corrispondenza del bullone di bloccaggio. Per estrarla, tirare la leva (1), ruotare la pedana verso l'interno o verso l'esterno, quindi staccarla. Assicurarsi che la pedana sia correttamente bloccata in posizione, (Fig. 12).



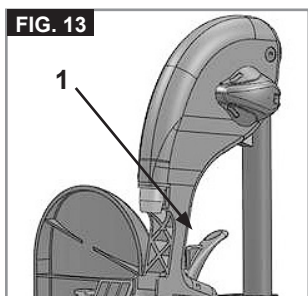
ATTENZIONE!

- La pedana non deve essere usata per sollevare o trasportare la carrozzina.
- Non utilizzare l'appoggiapiedi per salire o scendere dalla carrozzina. Prima dell'operazione, ribaltare l'appoggiapiedi e ruotare la pedana il più possibile verso l'esterno.

PEDANA ELEVABILE

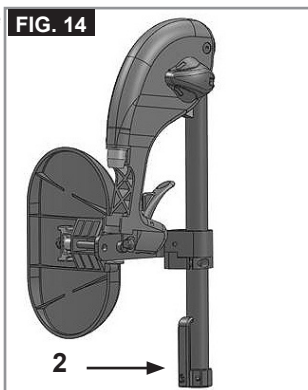
(Figg. 13-15)

Per estrarla, tirare la leva (1), ruotare la pedana verso l'esterno, quindi staccarla.



REGOLAZIONE DELL'ALTEZZA:

Allentando la vite (2) è possibile regolare la lunghezza della pedana con continuità. Regolare all'altezza desiderata e stringere la vite.

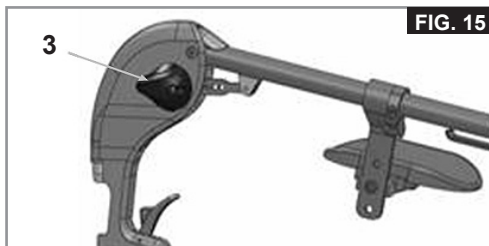


ATTENZIONE!

La distanza tra la pedana e il terreno deve essere di almeno 40 mm.

REGOLAZIONE DELL'ANGOLO:

Spingere la leva (3) verso il basso con una mano, sostenendo il peso dalla pedana con l'altra mano. Una volta raggiunto l'angolo desiderato, lasciare andare la leva per bloccare la pedana in una delle posizioni prestabilite.



REGOLAZIONE DELL'APPOGGIAPOLPACCI

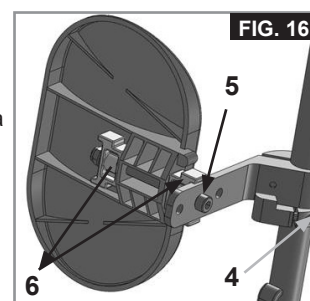
(Fig. 16).

L'appoggiapolpacci può essere regolato come segue.

Altezza: svitare il bullone (4) e spostare il pezzo di bloccaggio nella posizione desiderata. Ruotando il pezzo di bloccaggio si può regolare anche l'angolazione.

Profondità: svitare il bullone (5) e spostare l'appoggiapolpacci nella posizione desiderata.

Larghezza: svitare il bullone (5) e spostare gli spaziatori (6) dietro l'appoggiapolpacci per raggiungere la posizione desiderata.



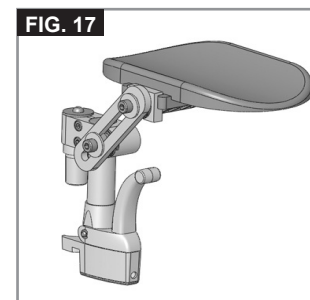
AVVERTENZA!

- Tenere le mani lontano del meccanismo di regolazione tra il telaio e le parti mobili della pedana mentre si alza o si abbassa la pedana.
- Assicurarsi che i dispositivi di fissaggio siano bloccati in posizione.
- Le pedane non devono essere usate per sollevare o trasportare la carrozzina.
- Fare attenzione a non schiacciarsi le dita! Quando si muove la pedana verso l'alto o verso il basso, non infilare le dita nel meccanismo di regolazione tra le parti mobili.

SUPPORTO PER AMPUTATI

(Fig. 17).

Il supporto per amputati può essere regolato in tutte le direzioni, a seconda delle esigenze.



Opzioni - Ruote anteriori

RUOTE ANTERIORI, PIASTRA DI REGOLAZIONE DELLA RUOTA ANTERIORE, FORCELLA DELLA RUOTA ANTERIORE

È possibile che la carrozzina viri leggermente verso destra o sinistra o che sia presente una vibrazione delle ruote anteriori. I motivi possono essere i seguenti:

- il movimento della ruota in avanti o all'indietro non è correttamente regolato
- La campanatura non è regolata correttamente.
- La pressione delle ruote posteriori e/o delle ruote anteriori non è corretta; le ruote non girano con facilità.

Una regolazione adeguata delle ruote anteriori è la condizione essenziale per il movimento rettilineo della carrozzina. La regolazione delle ruote anteriori deve essere sempre eseguita da un tecnico autorizzato. Ogni volta che la posizione delle ruote posteriori viene modificata bisogna sempre regolare i freni nuovamente.

L'altezza della seduta è determinata dalla posizione delle ruote anteriori e posteriori. Modificando la posizione delle ruote posteriori e anteriori è possibile regolare l'altezza della seduta

ATTENZIONE!

Dopo avere regolato l'altezza della seduta, stringere nuovamente tutte le viti e regolare nuovamente i freni.

Le ruote anteriori vanno impostate a 90 gradi

Opzioni - Spondine

SPONDINE STANDARD, RIBALTABILI, CON BRACCIOLI LUNGI O CORTI

Le spondine hanno bordi smussati per potersi avvicinare ad un tavolo.

Per ribaltare il bracciolo, spingere la leva (1) in modo che la spondina si sblocchi (Fig. 18).

Per regolare la lunghezza del bracciolo, allentare le viti (2), spostare il bracciolo nella posizione desiderata e quindi stringere le viti (Fig. 19).



AVVERTENZA!

Non utilizzare le spondine o i braccioli per sollevare o trasportare la carrozzina.

SPONDINE RIBALTABILI, CON BRACCIOLI CORTI O LUNGI ESTRAIBILI, REGOLABILI IN ALTEZZA

L'altezza del bracciolo può essere regolata come segue.

Spingere la leva verso il basso e spostare il bracciolo all'altezza desiderata (3).

Rilasciare la leva e premere il bracciolo verso il basso fino a quando si blocca in posizione. Controllare sempre che le spondine siano inserite correttamente.

Per ribaltare il bracciolo, spingere la leva (1) in modo che la spondina si sblocchi.

Per regolare la lunghezza del bracciolo, allentare le viti (2), spostare il bracciolo nella posizione desiderata e quindi stringere le viti (Fig. 20).



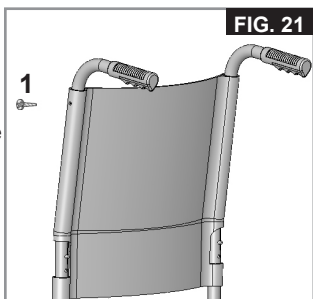
AVVERTENZA!

Non utilizzare le spondine o i braccioli per sollevare o trasportare la carrozzina.

Opzioni - Schienale

SCHIENALE REGOLABILE IN ALTEZZA

L'altezza dello schienale può essere impostata in 2 posizioni diverse (41 cm e 42,5 cm). Allentare e rimuovere i bulloni (1) e spingere il tubo dello schienale nella posizione desiderata. Stringere i bulloni (Fig. 21).



Opzioni - Tavolino terapeutico

TAVOLINO TERAPEUTICO

Il tavolino serve come superficie per lo svolgimento di varie attività. Prima dell'uso, il tavolino deve essere regolato in base alla larghezza della seduta da un tecnico autorizzato. Questa regolazione va eseguita con l'utente seduto sulla carrozzina (Fig. 22).



Opzioni - Ruotine antiribaltamento

RUOTINE ANTIRIBALTAMENTO

Le ruotine antiribaltamento offrono un'ulteriore sicurezza per gli utenti inesperti che stanno imparando ad usare la carrozzina. Le ruotine evitano che la carrozzina si ribalti all'indietro.



Spingere il pulsante di blocco (1), per sollevare o rimuovere le ruotine di sicurezza. Devono esserci sempre 3 - 5 cm tra il tubo e il terreno. Ruotare le ruotine verso l'alto quando si affrontano ostacoli ingombranti (come un marciapiede) per evitare che tocchino terra. Quindi girare le ruotine verso il basso nella posizione normale (Fig. 23).

AVVERTENZA!

Se le ruotine antiribaltamento sono posizionate in modo non corretto è più probabile che la carrozzina si ribalti all'indietro.

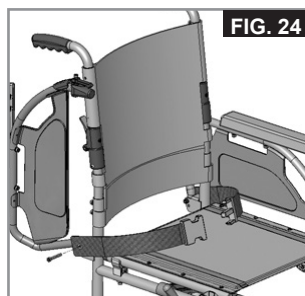
Opzioni - Cintura pelvica

AVVERTENZA!

Prima di usare la carrozzina assicurarsi che la cintura pelvica sia indossata e regolata correttamente.

La cintura pelvica va fissata alla carrozzina come mostrato nelle figure. La cintura pelvica è composta da due parti, fissate con il bullone di fermo del bracciolo infilato nell'occhiello della cintura. La cintura viene fatta passare sotto la parte posteriore del pannello laterale.

Regolare la posizione della cintura in modo che le due parti della fibbia si trovino al centro della seduta. (Figg. 24-25)



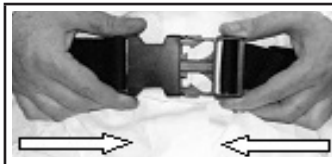
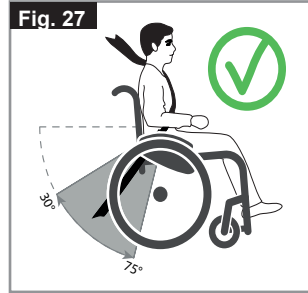
Regolare la cintura pelvica per adattarla alle esigenze dell'utente nel modo seguente:

Per aumentare la lunghezza della cintura:	Per diminuire la lunghezza della cintura:	✓
<p>Tipo A</p>	<p>Tipo A</p>	<p>Tipo A</p>
<p>Tipo B</p>	<p>Tipo B</p>	<p>Tipo B</p>
<p>Far passare la cintura attraverso le guide di regolazione e la fibbia maschio per allungare la cintura.</p>	<p>Far ripassare la cintura attraverso la fibbia maschio e le guide di regolazione.</p>	<p>Controllare che la cintura non sia arrotolata sulla fibbia maschio.</p>

Opzioni - Cintura pelvica>>>

Quando si allaccia la cintura, controllare lo spazio tra la cintura e l'utente; se la regolazione è corretta, deve essere possibile infilarsi una mano. (Fig. 26)

Normalmente la cintura pelvica deve essere fissata in modo che le cinghie formino un angolo di circa 45 gradi e, se regolata correttamente, non permetta all'utente di scivolare in avanti. (Fig. 27)



Per chiudere la fibbia:
Inserire bene la fibbia maschio
nella fibbia femmina.



Per slacciare la cintura:
Fare pressione sulle parti
esposte della fibbia maschio
spingendole verso il centro
oppure premere il pulsante
della fibbia femmina tirando
contemporaneamente le due
parti verso l'esterno.

CONSIGLI PER IL CLIENTE

⚠ AVVERTIMENTO!

- Non fare affidamento solamente sulla cintura pelvica durante il trasporto dell'utente in carrozzina in un veicolo. Utilizzare il sistema di ritenuta per il passeggero fornito nel veicolo.
- Prima dell'uso, si raccomanda di controllare la cintura per verificare che sia regolata correttamente e priva di ostacoli o segni di usura e che la fibbia si chiuda bene.
- La mancata verifica della sicurezza e della regolazione della cintura pelvica prima dell'uso può causare gravi lesioni all'utente. Per esempio, se la cintura è allentata eccessivamente, l'utente potrebbe scivolare in avanti sulla carrozzina e rischiare il soffocamento.

⚠ MANUTENZIONE:

Controllare regolarmente la cintura pelvica e i componenti di fissaggio e assicurarsi che non siano logori o danneggiati. Se necessario, sostituirli. Pulire la cintura pelvica con acqua insaponata tiepida e lasciare asciugare.

AVVERTIMENTO!

Regolare la cintura pelvica in base alle necessità dell'utente come descritto precedentemente. Poiché l'utente potrebbe inavvertitamente allentarla, Sunrise Medical raccomanda di controllare regolarmente la lunghezza e la posizione della cintura pelvica. In caso di dubbi sull'uso e il montaggio della cintura di sicurezza, rivolgersi al personale sanitario, al rivenditore, all'assistente o all'accompagnatore.

Targhetta di identificazione

TARGHETTA DI IDENTIFICAZIONE

L'etichetta di identificazione è applicata sulla crociera e sul manuale d'uso. Su questa targhetta sono riportati i dati tecnici. In caso di ordine di ricambi o di reclamo è necessario comunicare i seguenti dati:

CAMPIONE

	Sunrise Medical GmbH Kahlbachring 2-4 D-69254 Malsch / Germany		XXXX-XX-XX
TYPE:	Wheelchair, Rollstuhl, Fauteuil Roulant, Silla de Ruedas	SN	XXXXXXXXXXXXXXX
Unix2	ISO 7176-19:2008		
	XXX kg		max X°
	XXX mm		XXX mm

CH	REP	Sunrise Medical AG Erlenauweg 17 CH-3110 Münsingen Schweiz/Suisse/Svizzera
-----------	------------	---

TYPE: Nome del prodotto/codice articolo

	max X°	La pendenza superabile massima dipende dall'assetto della carrozzina, dalla postura e dalle capacità fisiche dell'utente.
	XXX mm	Larghezza seduta.
	XXX mm	Profondità (massima).
	XXX kg	Portata massima.
		Marchio UKCA.
		Marchio CE.
		Consultare le istruzioni per l'uso.
	XXXX-XX-XX	Data di produzione.
		Numero di serie.
		Questo simbolo significa dispositivo medico.
		Indirizzo del produttore.
ISO 7176-19:2008		Il crash test in conformità a: standard ISO 7176-19:2008.
		Indirizzo dell'importatore
UK	RP	Responsabile di riferimento nel Regno Unito
CH	REP	Indirizzo del rappresentante in Svizzera

In linea con la nostra politica di continuo miglioramento nel design delle carrozzine, le specifiche del prodotto possono differire leggermente dagli esempi illustrati. I pesi, le dimensioni e i dati prestazionali sono approssimati e forniti solo a scopo indicativo.

CE Tutte le carrozzine devono essere usate secondo le linee guida del produttore.

Sunrise Medical GmbH & Co. KG
Kahlbachring 2-4
69254 Malsch/Heidelberg
Deutschland
Tel.: +49 (0) 7253/980-0
Fax: +49 (0) 7253/980-222
kundenservice@sunrisemedical.de
www.SunriseMedical.de

Copertoni e montaggio dei copertoni

COPERTONI E MONTAGGIO DEI COPERTONI

Le ruote piene sono montate di serie durante la produzione.

Verificate che la pressione dei copertoni durante l'utilizzo sia sempre quella corretta. Una pressione inadeguata può compromettere le prestazioni della carrozzina. Se la pressione è troppo bassa, sarà necessario applicare una forza maggiore per muovere la carrozzina poiché la resistenza al rotolamento è maggiore. La manovrabilità della carrozzina ne risulterà compromessa. Se la pressione è troppo alta si rischia lo scoppio del copertone. La pressione corretta è riportata su ogni singolo copertone.

Il montaggio o la riparazione dei copertoni avviene come per qualsiasi tradizionale copertone da bicicletta. Prima del montaggio della nuova camera d'aria verificare che nel canale del cerchione e nella parete interna del copertone non siano presenti corpi estranei. Dopo il montaggio o la riparazione controllare la pressione del copertone. La regolazione della pressione ai valori indicati e il buono stato dei copertoni sono condizioni importanti per la sicurezza e per le prestazioni della carrozzina.

Controlli quotidiani

ATTENZIONE!

L'utente è la prima persona ad accorgersi di eventuali difetti. Prima di ogni uso, si raccomanda di controllare quanto segue:

- controllare che la pressione dei pneumatici sia corretta
 - controllare che i freni funzionino correttamente
 - controllare che le parti rimovibili siano ben fisse (ad es. braccioli, pedana, asse a sgancio rapido, ecc.)
 - verificare l'assenza di danni visibili, ad es. su telaio, schienale, rivestimento della seduta e dello schienale, ruote, pedana, ecc.)
- In caso di danni o malfunzionamento, contattare il rivenditore autorizzato di fiducia.

Risoluzione dei problemi

Se la carrozzina tende a muoversi lateralmente

- Controllare la pressione dei pneumatici.
- Controllare il regolare rotolamento della ruota (cuscinetti, asse)
- Controllare che entrambe le ruote anteriori siano impostate in modo corretto e a contatto con il terreno.
- Verificare che i cuscinetti della forcella siano liberi di ruotare.

Se le ruote anteriori vibrano

- Controllare che le viti siano serrate correttamente; se necessario, stringerle nuovamente (vedere la sezione relativa alla coppia di serraggio)
- Controllare che entrambe le ruote anteriori siano a contatto con il terreno

Se la carrozzina cigola e scricchiola

- Controllare che le viti siano serrate correttamente; se necessario, stringerle nuovamente (vedere la sezione relativa alla coppia di serraggio)
- Applicare una quantità minima di lubrificante sulle giunzioni delle parti mobili.

Se la carrozzina oscilla

- Controllare l'angolo di impostazione delle ruote anteriori
- Controllare inoltre l'usura o l'eventuale presenza di danni su tutti i copertoni.
- Controllate che le ruote posteriori non siano state regolate o montate in modo differente una dall'altra.

Manutenzione e cura

MANUTENZIONE

- Ogni 4 settimane controllare la pressione dei copertoni. Controllare inoltre l'usura o l'eventuale presenza di danni su tutti i copertoni.
- Ogni 4 settimane verificare il corretto funzionamento e la manovrabilità dei freni.
- La sostituzione dei copertoni avviene come per qualsiasi tradizionale copertone da bicicletta.
- Tutte le parti snodabili della carrozzina vengono dotate di collegamenti a vite autobloccanti per garantire la massima sicurezza. Si prega di verificare ogni 3 mesi il corretto serraggio di tutti i collegamenti a vite (vedere la sezione relativa alla coppia di serraggio). I dadi di sicurezza devono essere utilizzati una sola volta e sostituiti dopo l'uso.

- Se la carrozzina è sporca, pulirla solamente con un detergente non corrosivo. Per la pulizia del telo della seduta e della cintura pelvica utilizzare esclusivamente acqua e sapone.
- Se la carrozzina dovesse bagnarsi, asciugarla immediatamente dopo l'uso per evitare la formazione di ruggine e la corrosione salina.
- Gli assi ad estrazione rapida devono essere lubrificati ogni 8 settimane circa utilizzando una minima quantità di olio per macchine da cucire. A seconda della frequenza e del modo in cui la carrozzina viene utilizzata, consigliamo di sottoporla ogni sei 12 mesi ad un controllo specializzato presso il rivenditore di fiducia.

ATTENZIONE!

Sabbia ed acqua marina (o in inverno il sale per sciogliere il ghiaccio) danneggiano i cuscinetti delle ruote anteriori e delle ruote posteriori. Per evitare danni derivanti dall'esposizione a questi agenti, provvedere immediatamente ad una accurata pulizia della carrozzina.

Le seguenti parti possono essere rimosse ed inviate al rivenditore per la riparazione:

Ruote posteriori, braccioli, pedana, ruotine antiribaltamento. Questi componenti sono disponibili come pezzi di ricambio. Per ulteriori dettagli contattare il rivenditore autorizzato.

MISURE IGIENICHE PRIMA DI RIUTILIZZARE LA CARROZZINA:

La carrozzina deve essere preparata con attenzione prima di essere riutilizzata. Tutte le superfici che vengono a contatto con l'utente devono essere trattate con un disinfettante spray.

Per farlo è necessario utilizzare un disinfettante a base di alcol autorizzato/raccomandato nel Paese di residenza per le operazioni di disinfezione rapida dei dispositivi medici poiché devono essere disinfettati rapidamente.

Quando si usa un disinfettante attenersi alle istruzioni del produttore. Normalmente non è possibile garantire una disinfezione sicura sulle cuciture. Per evitare contaminazioni microbatteriche si raccomanda quindi di smaltire i teli della seduta e dello schienale usando eventuali agenti attivi per la disinfezione previsti dalle normative locali in vigore per la protezione contro le infezioni.

IMMAGAZZINAGGIO

Riporre sempre la carrozzina in un luogo asciutto.

Smaltimento / Riciclaggio dei materiali

NOTA: Se la carrozzina è stata messa a disposizione gratuitamente, potrebbe non essere di proprietà dell'utente. Se non è più necessaria, seguire le istruzioni fornite dall'organizzazione che ha messo a disposizione la carrozzina per la restituzione.

Di seguito vengono descritti i materiali usati per la carrozzina e l'imballaggio e come devono essere smaltiti e riciclati. Quando si organizza lo smaltimento, considerare gli eventuali regolamenti specifici in vigore localmente per lo smaltimento dei rifiuti o il riciclaggio. (Questo può includere la pulizia o la disinfezione della carrozzina prima dello smaltimento).

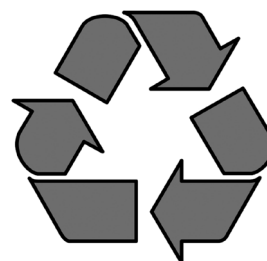
Alluminio: dispositivi di fissaggio, asse ad estrazione rapida, teli delle spondine, telai dei braccioli, pedana, manopole di spinta.

Plastica: maniglie, forcelle delle ruote anteriori, fermatubi, ruote anteriori, appoggiatepiedi, imbottiture dei braccioli e ruote/pneumatici da 12", ruote, spondine.

Imballaggio: sacco in polietilene a bassa densità, scatola di cartone

Rivestimento: poliestere tessuto con rivestimenti in PVC e schiuma modificata da combustione espansa.

Per lo smaltimento o il riciclaggio rivolgersi ad un centro di smaltimento autorizzato. In alternativa, la carrozzina può essere restituita al rivenditore per essere smaltita.



Dati tecnici

PORTATA MASSIMA: 125 KG

VEDERE ANCHE PAGINA 4

In conformità allo standard EN12183: 2009, tutte le parti qui elencate (teli seduta/schienale, imbottiture braccioli, pannelli laterali ecc) sono resistenti al fuoco ai sensi della norma EN1021-2.

La pendenza superabile in movimento dipende dalla configurazione della carrozzina, dalle capacità dell'utente e dallo stile di guida. Dal momento che non è possibile conoscere in anticipo le capacità dell'utente e il suo stile di guida, la pendenza superabile massima è un parametro che non può essere definito in anticipo e deve pertanto essere determinata dall'utente con l'aiuto di un accompagnatore per evitare cadute. Si raccomanda agli utenti inesperti di montare le ruotine antiribaltamento.

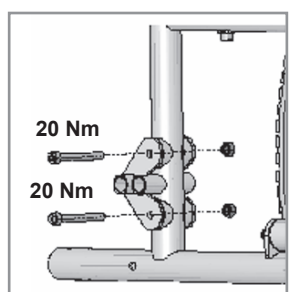
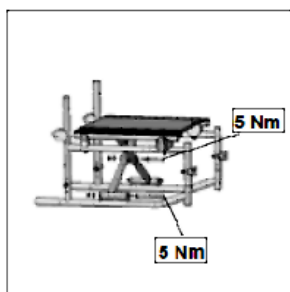
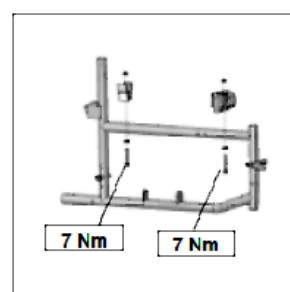
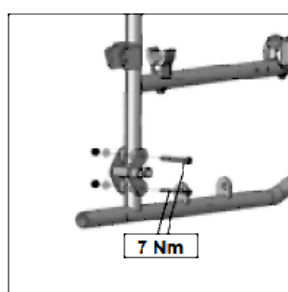
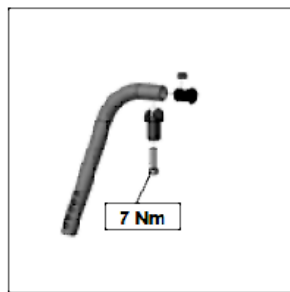
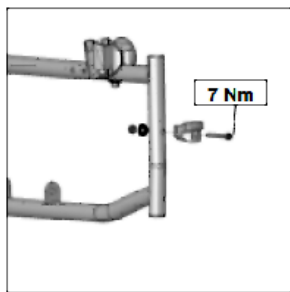
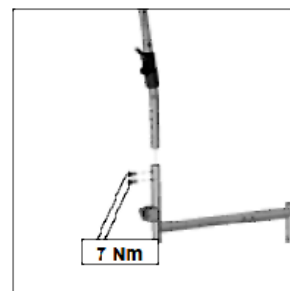
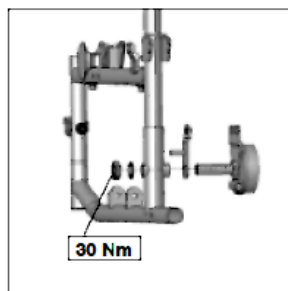
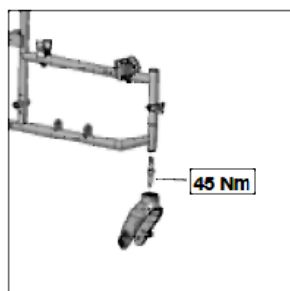
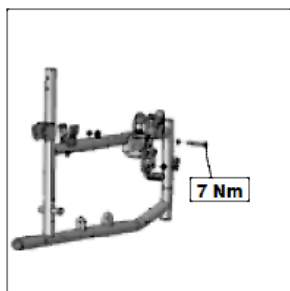
La carrozzina è conforme ai seguenti standard:

- a) Requisiti e norme per la resistenza statica, resistenza all'urto e all'usura (ISO 7176-8)
- b) Requisiti di resistenza all'infiammabilità conformi allo standard ISO 7176-16 (EN 1021-1)

Regolazione dell'altezza della seduta

470 mm	8"	5	24"	B
510 mm	8"	1	24"	A

Coppia di serraggio



Voorwoord

BESTE KLANT,

Wij zijn erg blij dat u gekozen hebt voor een kwalitatief hoogstaand SUNRISE MEDICAL-product.

In deze gebruikshandleiding vindt u tal van tips en ideeën waarmee u van uw nieuwe rolstoel een betrouwbare partner in uw leven kunt maken.

Wij willen dat u tevreden bent over onze producten en diensten. Sunrise Medical werkt voortdurend aan de ontwikkeling van zijn producten. Hierdoor kunnen zich veranderingen voordoen in onze reeks producten wat betreft vorm, technologie en uitrusting. Er zijn dan ook geen juridische vorderingen mogelijk op basis van de gegevens of de afbeeldingen in deze gebruikershandleiding.

Het managementsysteem van SUNRISE MEDICAL is gecertificeerd en voldoet aan de ISO 13485 en ISO 14001 normen.

CE SUNRISE MEDICAL verklaart als fabrikant dat dit product voldoet aan de EU-verordening Medische hulpmiddelen (Medical Device Regulation, MDR) (2017/745).

OPMERKING:

Algemeen advies.

Wanneer deze instructies niet worden opgevolgd, kan dit leiden tot fysiek letsel, schade aan het product of schade aan de omgeving!

Een mededeling aan de gebruiker en/of patiënt: Als dit product betrokken was bij een ernstig incident, dient dit aan Sunrise Medical en de bevoegde autoriteit van de Lidstaat waarin de gebruiker en/of patiënt is gevestigd, te worden gemeld.

Built-4-Me speciale aanpassingen

Sunrise Medical adviseert nadrukkelijk alle bij uw Built-4-Me product meegeleverde gebruikersinformatie zorgvuldig door te lezen voordat u het product voor het eerst gebruikt. Alleen wanneer u de gebruiksaanwijzingen volledig hebt doorgelezen en begrijpt, bent u ervan verzekerd dat het Built-4-Me product functioneert en presteert zoals de fabrikant dit heeft bedoeld.

Sunrise Medical adviseert tevens de gebruikersinformatie na het lezen niet weg te gooien, maar het veilig op te bergen, zodat u de informatie later nog eens kunt doornemen.

Combinaties van medische hulpmiddelen

Het is eventueel mogelijk om dit medische hulpmiddel met één of meerdere andere medische hulpmiddelen of een ander product te combineren. Kijk voor informatie over mogelijke combinaties op www.Sunrisemedical.nl. Alle op de lijst vermelde combinaties zijn gevalideerd om te voldoen aan de Algemene veiligheids- en prestatievereisten, Bijlage I nr. 14.1 van de MDR - Verordening voor Medische hulpmiddelen (2017/745).

Richtlijnen voor de combinatie, zoals de bevestiging, vindt u op www.SunriseMedical.nl

Heeft u vragen over het gebruik, het onderhoud of de veiligheid van uw rolstoel, neem dan contact op met uw plaatselijke erkende dealer van SUNRISE MEDICAL.

Is er geen erkende dealer in uw regio of hebt u vragen, neem dan schriftelijk of telefonisch contact op met Sunrise Medical:

Sunrise Medical B.V.
Groningenhaven 18-20
3433 PE Nieuwegein
Nederlands
Tel.: +31 (0) 3060-82100
Fax: +31 (0) 3060-55880
www.sunrisemedical.com

Noteer het adres en telefoonnummer van uw plaatselijke dealer in de daarvoor bestemde ruimte.

Neem in het geval van storingen contact op met de dealer en probeer zoveel mogelijk relevante informatie te geven zodat men u snel kan helpen.

Legenda symbolen



BELANGRIJK:

GEBRUIK UW ROLSTOEL NIET TOT U DEZE GEBRUIKSAANWIJZING HEEFT GELEZEN EN BEGREPEN.



GEVAAR!

Dit betekent een waarschuwing betreffende mogelijke risico's op ernstige ongelukken of overlijden.



WAARSCHUWING!

Dit betekent een waarschuwing betreffende mogelijke risico's op lichamelijk letsel.



OPGELET!

Waarschuwingsberichten betreffende mogelijke technische schade.

OPMERKING:

Informatie over bediening van het product.

Inhoudsopgave	
Rolstoelonderdelen	2
Voorwoord	44
Legenda symbolen	44
Inhoudsopgave	45
Gebruik	45
Toepassingen	45
Algemene veiligheidsinstructies en besturingsrestricties	46
Garantie	47
Transport	48
Handling	50
Opties - Trapdop	50
Opties - Wielvergrendelingen	50
Opties - Krukkenhouder	50
Opties - Voetenplaten	51
Opties - Zwenkwielen	51
Opties - Zijbescherming	52
Opties - Rugleuning	52
Opties - Werkblad	52
Opties – Anti-tip wielen	52
Opties – Heupgordel	52
Sticker	54
Banden en montage	55
Dagelijkse controle	55
Mogelijke problemen	55
Algemeen onderhoud	55
Afvalverwerking / recycling van materialen	55
Technische gegevens	56
Aanpassing zithoogte	56
Koppel	56

Gebruik

Stalen rolstoelen zijn uitsluitend bedoeld voor gebruikers die niet kunnen lopen of een beperkte mobiliteit kennen. De rolstoel is bedoeld voor persoonlijk gebruik binnenshuis en buitenshuis op een droog, stevig en vlak oppervlak (zelf voortbewegend of geduwd door een begeleider).

Het maximale gewicht dat de stoel kan dragen staat vermeld bij het serienummer; dit vindt u aan de kruisstang of stabiliseerstang onder de zitting. Het maximale gewicht is het totale gewicht van de gebruiker en de op de rolstoel gemonteerde accessoires.

Aansprakelijkheid wordt uitsluitend geaccepteerd indien het product wordt gebruikt onder die specifieke omstandigheden en voor het doel waarvoor het product is gemaakt.

De verwachte levensduur van de rolstoel is vijf jaar. Monteer of gebruik GEEN onderdelen van andere partijen op de rolstoel, tenzij deze officieel goedgekeurd zijn door Sunrise Medical.

Toepassingen

Indicaties

De keuze aan beschikbare accessoires en het modulaire ontwerp betekenen dat de rolstoel kan worden gebruikt door personen die niet kunnen lopen of beperkt mobiel zijn vanwege:

- Verlamming
- Amputatie (van been of benen)
- Disfunctioneren of misvorming van been of benen
- Contractuur van/letsel aan gewrichten
- Ziektes zoals hart- en vaatziekten, evenwichtsstoornissen of cachexie, neurologische aandoeningen, spierdystrofie, hemiplegie, evenals voor oudere mensen die nog kracht in het bovenlichaam hebben.

Contra-indicaties

De rolstoel mag niet zonder begeleider worden gebruikt bij:

- Waarnemingsstoornissen
- Evenwichtsstoornissen
- Verlies van beide armen, indien niet door een zorgverlener begeleid
- Gewrichtscontractuur of beschadiging van gewrichten in beide armen
- Onvermogen om te zitten

Wanneer levering/aanschaf van een rolstoel wordt overwogen, neem dan de volgende zaken in overweging: lichaamsgrootte, gewicht, fysieke en psychische toestand, leeftijd, leefomstandigheden en -omgeving.

NB: het besturen van een rolstoel vereist voldoende cognitieve, fysieke en visuele vaardigheden. De gebruiker moet in staat zijn de effecten van handelingen tijdens het gebruik van de rolstoel te beoordelen en deze zo nodig te corrigeren. Deze vermogens en het veilige gebruik van aanvullend bevestigde onderdelen kunnen niet door Sunrise Medical als fabrikant worden beoordeeld. We kunnen geen aansprakelijkheid voor schade als gevolg hiervan accepteren.

Lees de gebruiksaanwijzing van de rolstoel en de aanvullend aangebrachte onderdelen door. Instrueer de gebruiker over het veilige gebruik van de rolstoel en de aanvullend bevestigde onderdelen. Informeer gebruikers over specifieke waarschuwingen die gelezen, begrepen en gerespecteerd moeten worden.

Algemene veiligheidsinstructies en besturingsrestricties

De techniek en constructie van deze rolstoel zijn ontworpen voor het bieden van maximale veiligheid. Aan de momenteel van kracht zijnde internationale veiligheidsnormen is voldaan en zij zijn overtroffen. Toch kunnen gebruikers zichzelf in gevaar brengen door onjuist gebruik van hun rolstoel. Voor uw eigen veiligheid moeten de volgende regels absoluut worden opgevolgd.

Onprofessionele of foutieve aanpassingen of instellingen kunnen de kans op ongelukken vergroten. Als rolstoelgebruiker maakt u, net als andere weggebruikers, deel uit van het dagelijkse verkeer op straten en trottoirs. Wij herinneren u er aan dat u daardoor ook onderworpen bent aan alle verkeerswetgeving. Wees voorzichtig tijdens uw eerste rit in deze rolstoel. Leer uw rolstoel kennen.

Voor elk gebruik, moet het volgende worden gecontroleerd:

- Vaste assen of Quick release assen op de achterwielen.
- Velcro op de zittingen en rugleuningen
- Banden, bandendruk en parkeerremmen.

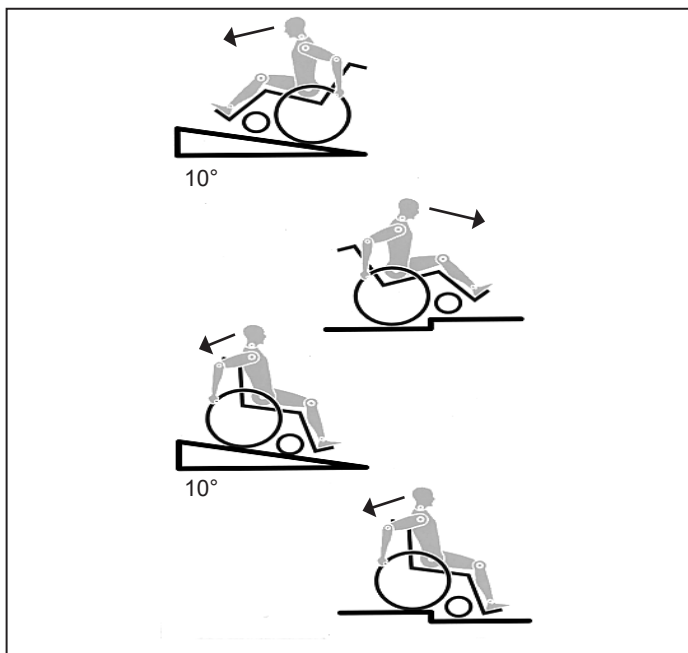
Alvorens aanpassingen van deze rolstoel te wijzigen, is het belangrijk het bijbehorende deel van de gebruiksaanwijzing te lezen.

Het is mogelijk dat de rolstoel door kuilen of oneffen oppervlakken kan kantelen, in het bijzonder wanneer heuvel op of af wordt gereden.

Wanneer over een trede of helling op wordt gereden, moet het lichaam naar voren zijn gebogen.

⚠ GEVAAR!

- Overschrijd NOOIT de maximale belasting van 125kg voor de gebruiker plus voorwerpen die meegenomen worden op de rolstoel. Als u de maximale belasting overschrijdt, kan dit leiden tot schade aan de stoel, of u kunt omvallen of omkantelen, de controle verliezen, wat ernstig letsel aan de gebruiker en andere personen tot gevolg kan hebben.
- Draag lichte of reflecterende kleding wanneer u in het donker naar buiten gaat. Zo wordt u gemakkelijker gezien. Zorg ervoor dat de reflectoren op de zij- en achterkant van de rolstoel duidelijk zichtbaar zijn.
- Sunrise adviseert tevens gebruik te maken van verlichting.
- Om vallen en gevaarlijke situaties te voorkomen, is het verstandig om eerst met uw nieuwe rolstoel te oefenen op een vlakke ondergrond, bij goed zicht.
- Gebruik de voetplaten niet als u in of uit de rolstoel stapt.
- Deze moeten van tevoren omhoog worden geklapt en zo ver mogelijk naar buiten worden gedraaid. Plaats uzelf altijd zo dicht mogelijk bij de plek waar u naar toe wilt overstappen of overgebracht wilt worden.
- Gebruik de voetplaten niet als u in of uit de rolstoel stapt.
- Deze moeten van tevoren omhoog worden geklapt en zo ver mogelijk naar buiten worden gedraaid. Plaats uzelf altijd zo dicht mogelijk bij de plek waar u naar toe wilt overstappen of overgebracht wilt worden.
- Wees voorzichtig wanneer u de rolstoel gebruikt. Probeer bijvoorbeeld niet tegen een voorwerp op te rijden zonder te remmen (opstapje, trottoirrand) of verschillen in afstapjes.



- De parkeerremmen zijn niet bedoeld om uw rolstoel te remmen wanneer deze in beweging is. Ze zijn slechts bedoeld om te voorkomen dat uw rolstoel onbedoeld begint te rollen. Wanneer u op een oneffen oppervlak stopt, dient u altijd uw parkeerremmen te gebruiken om weggrollen te voorkomen. Gebruik altijd beide parkeerremmen anders kan uw rolstoel kantelen.
- Probeer uit welk effect een verandering op het zwaartepunt van de rolstoel heeft; bijvoorbeeld op hellingen of wanneer u over obstakels probeert te rijden. Doe dit met de hulp van een begeleider.
- Met extreme instellingen (bijv. achterwielen in de voorste positie) en minder dan perfecte houding, kan de rolstoel zelfs op een effen oppervlak omkantelen.
- Leun met uw bovenlichaam naar voren als u hellingen en opstapjes opgaat.
- Leun met uw bovenlichaam verder naar achteren, wanneer u van een helling of afstapje afgaat. Probeer nooit diagonaal een helling op of af te gaan.
- Gebruik nooit een roltrap, aangezien u hier vanaf kunt vallen wat ernstig letsel kan veroorzaken.
- Gebruik de rolstoel niet op hellingen steiler dan $> 10^\circ$. De werking van de Dynamic beveiliging hangt af van de instellingen van de stoel, de capaciteiten van de gebruiker en de rijstijl. Omdat Sunrise Medical vooraf niet kan voorzien hoe de capaciteiten en rijstijl van de gebruiker is, kan de maximale veilig te nemen helling niet worden bepaald. Daarom moet dit door de gebruiker worden bepaald, samen met een begeleider, die kan voorkomen dat de rolstoel kantelt. Sunrise Medical adviseert onervaren gebruikers veiligheidswielen te laten installeren.
- Het is mogelijk dat de rolstoel door kuilen of oneffen oppervlakken kan kantelen, in het bijzonder wanneer heuvel op of af wordt gereden.
- Gebruik de rolstoel niet op modderige of bevroren (gladde) ondergrond.
- Daar waar voetgangers niet zijn toegestaan, mag u ook niet met de rolstoel rijden.
- Steek nooit uw handen tussen de spaken of tussen het achterwiel en wielvergrendeling terwijl u rijdt. Dit kan leiden tot letsel aan de handen.
- Met name bij het gebruik van lichtgewicht hoepels, worden vingers gemakkelijk warm bij het remmen op hoge snelheid of op steile hellingen.
- Gebruik geen trappen zonder de hulp van een begeleider. Er bestaan middelen om u te helpen, bijv. hellingen op te gaan of de lift te gebruiken. Wij raden u aan deze te gebruiken. Als deze niet beschikbaar zijn, dient de rolstoel naar achteren te worden gekanteld en over de treden te worden geduwd (2 helpers), maar mag nooit worden getild. We adviseren gebruikers zwaarder dan 100 kg niet op deze wijze over te brengen. Over het algemeen moeten anti-tip wielen vooraf zodanig worden ingesteld dat ze de treden niet kunnen raken, omdat dit tot een ernstige val zou kunnen leiden. Naderhand moeten de anti-tip wielen weer in de oude positie worden teruggebracht.
- Zorg ervoor dat de begeleider de rolstoel alleen aan stevig bevestigde onderdelen vasthoudt. Gebruik geen verwijderbare onderdelen (bijvoorbeeld de voetsteunen of de zijbeschermers).
- Wanneer u de rolstoellift gebruikt, dient u ervoor te zorgen dat de aangebrachte anti-tip wielen buiten de gevarenszone zijn geplaatst.
- Gebruik de remvergrendeling om de stoel vast te zetten wanneer u zich op ongelijke grond bevindt of wanneer de rolstoel bijvoorbeeld in een auto wordt geplaatst.
- Wanneer gebruik wordt gemaakt van een speciaal voor gehandicaptenvervoer ingericht voertuig, dienen de personen die worden vervoerd, voor zover mogelijk, gebruik te maken van de stoelen van het voertuig en het juiste gordelsysteem. Alleen op deze wijze genieten de personen optimale bescherming indien een ongeluk plaatsvindt.
- Afhankelijk van de diameter en instelling van de zwenkwielen evenals de instelling van het zwaartepunt van de rolstoel, kunnen de zwenkwielen op hoge snelheid beginnen te trillen. Hierdoor kunnen de zwenkwielen geblokkeerd raken en kan de rolstoel omkantelen. Zorg er daarom goed voor dat de zwenkwielen goed zijn aangepast (zie het hoofdstuk "Zwenkwielen").
- Rijd met name niet op een helling zonder remmen en rijd op lage snelheid. We raden aan dat nieuwe gebruikers anti-tip gebruiken.
- Met anti-tip wielen kan de stoel niet onbedoeld achterover kantelen. Ze mogen in geen geval de transitwielen vervangen en gebruikt worden om een persoon in een rolstoel te vervoeren als de achterwielen zijn verwijderd.

GEVAAR!

- Wanneer u naar voorwerpen (die zich voor, aan de zijkant of achter de rolstoel bevinden) reikt, zorg er dan voor dat u niet te ver uit de rolstoel leunt, want als u het zwaartepunt verandert, bestaat het gevaar dat u omkantelt of omver rolt. Als u extra belasting (rugzak of gelijksoortige voorwerpen) aan de buizen van de rugleuning hangt, kan dit van invloed zijn op de stabiliteit aan de achterkant van uw stoel, vooral in combinatie met rugleuningen die achterover kunnen leunen. Hierdoor kan de stoel naar achteren kantelen en letsel veroorzaken.
- Gebruikers met een amputatie vanaf de dij, moeten anti-tip wielen gebruiken.
- Controleer voor vertrek of de bandenspanning correct is. Voor de achterwielen moet de druk ten minste 3,5 bar (350 kPa). De maximale druk staat aangegeven op de band. De knie-remhendels functioneren alleen bij voldoende bandenspanning en wanneer ze correct zijn ingesteld (zie ook het hoofdstuk "Remmen").
- Indien de zitting of rugbekleding van de rugleuning beschadigd zijn, dient u deze direct te vervangen.
- Wees voorzichtig met vuur, en vooral met brandende sigaretten. De banden van de rugleuning en zitting kunnen vlam vatten.
- Wanneer de rolstoel gedurende lange tijd wordt blootgesteld aan direct zonlicht, of koude temperaturen, dan kunnen rolstoelonderdelen (bijv. het frame, de beensteunen, de remmen of de zijbeschermers) heel warm (>41°C) / of heel koud (<0°) worden.
- Zorg er altijd voor dat de quick release assen op de achterwielen, indien deze zijn gemonteerd, op de juiste wijze zijn afgesteld en vergrendeld (kogellagers van de vergrendelende bal moeten volledig zichtbaar zijn door het ashuis). Wanneer de knop op de quick release as niet ingedrukt is, kan het achterwiel niet worden verwijderd.

OPGELET!

- Het effect van de kniehevelrem evenals de algemene rijeigenschappen hangen af van de bandendruk. De rolstoel is aanzienlijk lichter en gemakkelijker te manoeuvreren wanneer de achterwielen op de juiste spanning zijn en beide dezelfde spanning hebben.
- De banden van de rolstoel moeten voldoende profiel hebben!
- Let op dat u zich aan alle verkeerswetten moet houden wanneer u zich op de openbare weg begeeft.
- Wees altijd voorzichtig wanneer u de rolstoel aanpast.
- Wijzigingen waarvoor gereedschappen nodig zijn, moeten altijd door de erkende dealer worden uitgevoerd.
- Reinig de rolstoel regelmatig om roest en corrosie door zout te voorkomen.
- Controleer de schroeven, bouten en moeren om te controleren of ze goed vastzitten zodat er geen onderdelen van de rolstoel los gaan zitten.
- Bij bewegende onderdelen is er altijd gevaar op beknelde vingers. Wees voorzichtig wanneer u iets wilt veranderen aan de rolstoel.
- Het kan zijn dat de getoonde en beschreven product in deze handleiding niet op elk detail precies hetzelfde als uw eigen model is. Alle instructies zijn echter belangrijk, ongeacht de verschillen in detail.
- De fabrikant houdt zich het recht voor zonder opgaaf gegevens met betrekking tot gewicht, maten of andere technische gegevens zoals genoemd in deze handleiding, te wijzigen. Alle afbeeldingen, maten en mogelijkheden zoals getoond in deze handleiding zijn slechts indicatief en bevatten geen specificaties.

WAARSCHUWING!

VERSTIKKINGSGEVAAR - In dit mobiliteitshulpmiddel zijn kleine onderdelen verwerkt die onder bepaalde omstandigheden een verstikkingsgevaar voor kleine kinderen kunnen vormen.

LEVENSDUUR

De verwachte levensduur van dit product is 5 jaar, op voorwaarde dat het product wordt gebruikt in strikte overeenkomst met het bedoelde gebruik; voldaan wordt aan alle eisen ten aanzien van service en onderhoud.

Garantie

Garantie
DIT HEEFT OP GEEN ENKELE WIJZE INVLOED OP UW WETTELIJKE RECHTEN.

Garantievoorwaarden

- 1) De reparatie of vervanging wordt door een erkende Sunrise Medical dealer uitgevoerd.
- 2) Om aan de garantievoorwaarden te voldoen dient u, bij eventueel noodzakelijke servicewerkzaamheden op uw rolstoel krachtens deze overeenkomst, onmiddellijk contact op te nemen met de aangewezen onderhoudsmonteur van Sunrise Medical met nauwkeurige gegevens over het soort probleem dat u ontdekt. Indien u de rolstoel gebruikt buiten de regio van de aangewezen Sunrise Medical onderhoudsmonteur, wordt werk krachtens de "Garantievoorwaarden" uitgevoerd door een andere, door de fabriek aangewezen, onderhoudsmonteur.
- 3) Indien een onderdeel van de rolstoel gerepareerd of vervangen moet worden, als gevolg van een specifiek gebrek van fabricage of materiaal, binnen 24 maanden, (5 jaar voor het frame en het kruisframe) vanaf de datum waarop het eigendom van het product werd overgedragen naar de oorspronkelijke koper, en op voorwaarde dat deze koper nog steeds de eigenaar is, wordt het onderdeel of worden de onderdelen zonder kosten vervangen of gerepareerd, op voorwaarde dat de rolstoel wordt teruggebracht naar de erkende dealer.

OPMERKING:

Deze garantie is niet overdraagbaar.

- 4) Deze garantie dekt eveneens alle gerepareerde of vervangen onderdelen voor de resterende garantieperiode van de rolstoel.
- 5) Wij geven een extra 24 maanden garantie voor reserveonderdelen die na de aanvang van de oorspronkelijke garantie zijn aangebracht.
- 6) Aan slijtage onderhevige onderdelen worden normaliter van de garantie uitgesloten, behalve in het geval dat voortijdige slijtage van het onderdeel het directe gevolg van een fabricagefout is. Tot verbruiksgoederen worden onder andere gerekend: bekleding, banden, interne buizen en dergelijke.
- 7) Bovenstaande garantievoorwaarden gelden voor alle productonderdelen, voor modellen die voor de volle handelsprijs gekocht zijn.
- 8) Onder normale omstandigheden wordt geen verantwoordelijkheid aanvaard wanneer de rolstoel reparatie of vervanging behoeft als een rechtstreeks gevolg van het feit dat:
 - a) Het product of onderdeel is niet onderhouden in overeenstemming met de aanbevelingen van de fabrikant, zoals uiteengezet in de gebruikershandleiding en/of de onderhoudsinstructies. Er zijn accessoires gebruikt die niet gespecificeerd zijn als originele onderdelen.
 - b) De rolstoel of het onderdeel is beschadigd door nalatigheid, ongeval of oneigenlijk gebruik.
 - c) Wijzigingen aan de rolstoel of onderdelen daarvan, die niet in overeenstemming zijn met de specificaties van de fabrikant, of het uitvoeren van reparaties alvorens contact werd opgenomen met de onderhoudsmonteur/dealer.

Transport

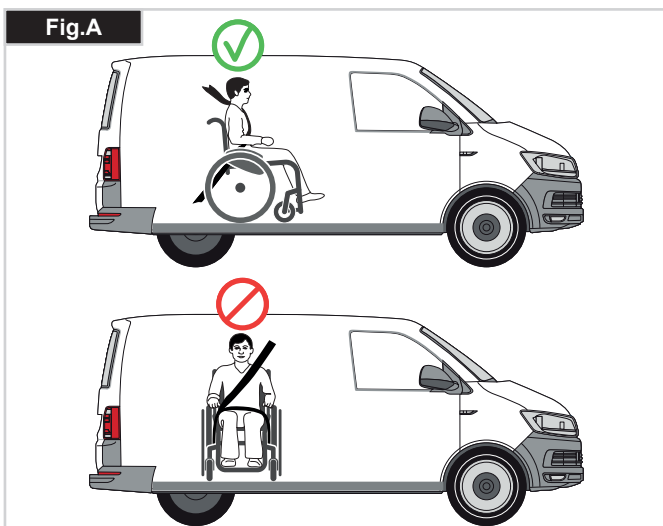
⚠ GEVAAR!

Indien dit advies wordt genegeerd ontstaat het risico op ernstig letsel of overlijden.

Het vervoer van uw rolstoel in een voertuig:

Een in een voertuig vastgezette rolstoel biedt niet dezelfde veiligheid als een normale stoel en veiligheidssysteem in dat voertuig. Sunrise adviseert altijd om de rolstoelgebruiker over te brengen naar een stoel van het voertuig. Sunrise Medical erkent dat het niet altijd praktisch is om een rolstoelgebruiker over te brengen naar een gewone stoel in het voertuig. Wanneer de gebruiker vervoerd moet worden in de rolstoel, moet onderstaand advies worden opgevolgd:

1. Controleer of het voertuig over de juiste hulpmiddelen beschikt om een passagier in een rolstoel te vervoeren. Controleer tevens of de methode om in en uit het voertuig te komen, geschikt zijn voor uw type rolstoel. De vloer van het voertuig moet sterk genoeg zijn om het totale gewicht van de rolstoelgebruiker, de rolstoel en de accessoires te dragen.
2. Rondom de rolstoel dient voldoende ruimte te zijn om de spanbanden en veiligheidsgordels te bevestigen en de rolstoel goed en gemakkelijk vast te zetten en los te maken.
3. De stoel met daarin de gebruiker moet in de rijrichting worden geplaatst. De rolstoel dient te worden vastgezet met spanbanden en voor de gebruiker dienen veiligheidsgordels gebruikt te worden, waarbij wordt voldaan aan de normen ISO 10542 of SAE J2249 en aan de WTORS instructies van de fabrikant.
4. De rolstoel is niet getest in andere posities binnen een voertuig. De rolstoel met daarin de gebruiker mag nooit in zijwaartse richting worden vervoerd (Fig. A).
5. De rolstoel moet worden vastgezet met een bevestigingssysteem dat voldoet aan ISO 10542 of SAE J2249, met niet-verstelbare banden aan de voorzijde en verstelbare banden aan de achterzijde, die worden bevestigd door middel van karabijnhaken/S-haken en gesp en gordel bevestigingen. De bevestigingen bestaan doorgaans uit vier aparte banden die vastgemaakt worden aan iedere hoek van de rolstoel.
6. De verankeringsbanden moeten aan het frame van de rolstoel worden bevestigd zoals aangegeven in de tekening op de volgende pagina. Ze mogen niet worden bevestigd aan accessoires, wielen, remmen, voetsteunen en dergelijke.



7. De verankeringsbanden dienen in een hoek van 45 graden zo dicht mogelijk bij de stoel bevestigd te worden; de banden moeten strak vastgezet worden in overeenstemming met de instructies van de fabrikant.

8. De verankeringspunten, frame en structurele onderdelen van de rolstoel mogen niet zonder overleg met de fabrikant worden gewijzigd of vervangen. Dergelijke wijzigingen kunnen de rolstoel van Sunrise Medical ongeschikt maken voor transport in een voertuig.

9. Zowel de heupgordel als de veiligheidsgordel voor het bovenlichaam moet worden gebruikt om de rolstoelgebruiker goed in de rolstoel te laten zitten. Hierdoor wordt het risico verkleind dat hoofd en borst in botsing komen met onderdelen van het voertuig. Tevens wordt risico verkleind dat de rolstoelgebruiker of de andere inzittenden van het voertuig geblesseerd raken. (Fig. B) De bovenlichaamgordel dient bevestigd te worden aan de "B" stang van het voertuig. Indien dit wordt nagelaten, wordt het risico van ernstig (onder)buikletsel van de gebruiker vergroot.

10. Tijdens het transport dient men gebruik te maken van een hoofdsteun die geschikt is voor transport (zie etiket van de hoofdsteun). Deze moet gedurende het hele transport op de juiste wijze zijn aangebracht.

11. Lichaamsondersteunende gordels (zoals heupgordels) mogen niet worden gebruikt als veiligheidsgordel voor een rolstoelgebruiker, tenzij deze voldoen aan de normen zoals gespecificeerd in ISO 7176-19 of SAE J2249.

12. De veiligheid van de rolstoelgebruiker tijdens het transport hangt af van de nauwkeurigheid waarmee de verankeringsbanden worden bevestigd. De persoon/personen die de verankering tot stand brengt/brengen, moet(en) op juiste wijze zijn geïnstrueerd en getraind.

13. Verwijder waar mogelijk hulpmiddelen en accessoires en berg deze veilig op. Hierbij kunt u denken aan: Krukken, losse kussens en werkbladen.

14. Een scharnierende/opgetilde beensteun mag zich niet in opgetilde positie bevinden tijdens transport van de rolstoel en gebruiker wanneer de rolstoel is verankerd met verankeringsbanden en veiligheidsgordels.

15. Een gekantelde rugleuning moet in rechte positie worden gezet.

16. De handremmen moeten goed worden vastgezet.

17. Veiligheidsgordels moeten worden bevestigd aan de "B" stang van het voertuig en mogen niet van het lichaam afgehouden worden door bijvoorbeeld armsteunen of wielen.



INSTRUCTIES VOOR VEILIGHEIDSGORDELS:

1. De heupgordel moet laag worden bevestigd over de voorzijde van de heup, zodanig dat de hoek van de heupgordel zich binnen de horizontale voorkeurszone van 30 tot 75 graden bevindt. Hoe groter de hoek binnen deze begrenzing, hoe beter, maar de hoek mag nooit groter zijn dan 75 graden. (Fig. C)
2. De bovenlichaamsgordel moet over de schouder en diagonaal over de borst worden gedragen, zoals op de afbeelding weergegeven. Fig. D en E
De gordels moeten zo strak mogelijk worden gebruikt, maar moeten altijd comfortabel zijn voor de gebruiker.
Veiligheidsnetten mogen niet gedraaid zitten tijdens gebruik.
De gordel voor het bovenlichaam moet dwars over de schouder worden bevestigd, zoals getoond in afbeeldingen D en E.
3. De bevestigingspunten van de stoel bevinden zich aan de binnenzijde aan de voorkant van het frame vlak boven het zwenkwiel en aan het frame aan de achterzijde. De banden worden rond het frame aan de zijkanten geplaatst waar de horizontale en verticale buizen van het frame elkaar kruisen. (Zie Fig. G - K).
4. Op het frame van de rolstoel wordt door middel van het symbool voor het verankeringspunt (Fig. F) aangegeven waar de verankeringsbanden geplaatst moeten worden. De banden worden strak getrokken nadat de banden aan de voorzijde zijn aangebracht om de rolstoel te borgen.

GEWICHT VAN GEBRUIKER MINDER DAN 22 KG

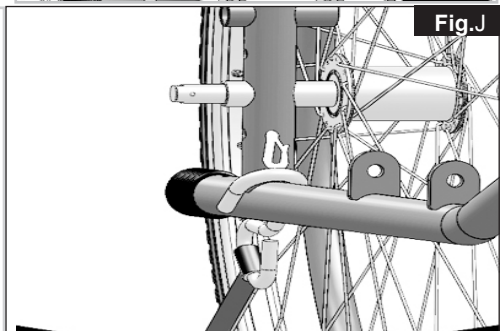
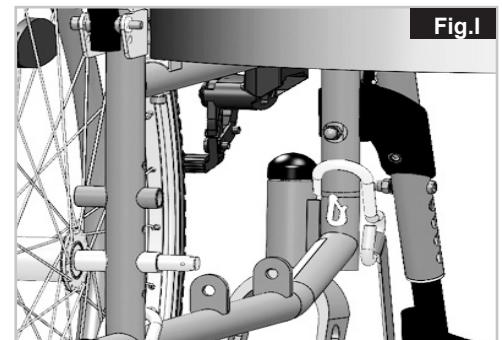
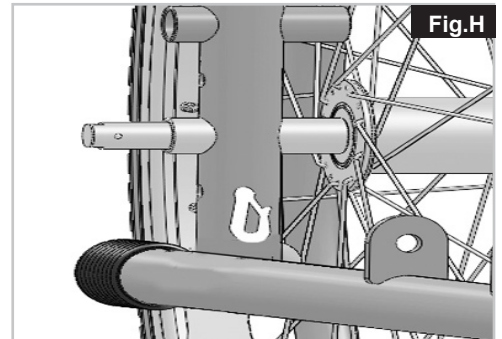
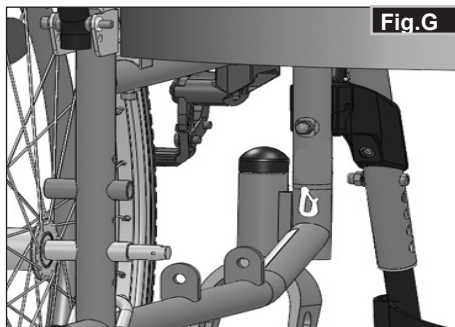
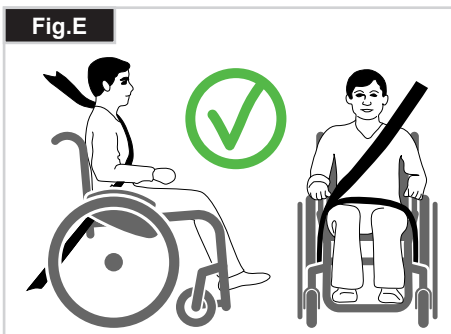
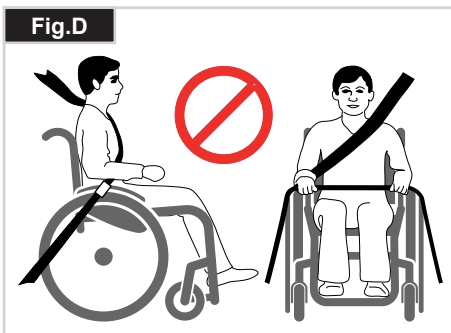
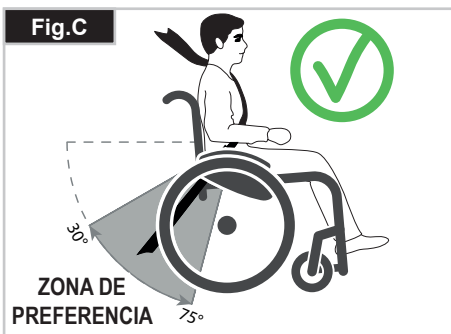
Wanneer de gebruiker die wordt vervoerd een kind is dat minder dan 22kg weegt, en het betrokken voertuig minder dan acht (8) inzittenden heeft, wordt het aanbevolen dat het kind wordt overgeplaatst naar een kinderzitje met veiligheidsgordels dat voldoet aan de UN-ECE R44 regelgeving.

Dit type gordelsysteem biedt een doelmatiger gordelsysteem dan het conventionele 3-puntsgordelsysteem. Daarbij bieden sommige kinderzitjes ook extra ondersteunende elementen waardoor de houding van het kind wanneer het zit, beter wordt ondersteund. In sommige omstandigheden kunnen de ouders of zorgverleners overwegen om het kind in de rolstoel te laten zitten tijdens transport, als de rolstoelinrichting het kind veel lichaamsondersteuning en comfort biedt.

In dergelijke omstandigheden adviseren we een risicobeoordeling te laten uitvoeren door uw medische deskundige of andere relevante personen die over de vereiste kennis beschikken.

DE PLAATSIJG VAN VERANKERINGSBANDEN OP DE ROLSTOEL

1. De plaats van de afbeeldingen die aangeven waar aan de voor- en achterzijde de spanbanden geplaatst moeten worden (Fig. G - H).
2. Positie aan de voorzijde (Fig. I) en achterzijde, (Fig. J), van de sticker en het verankeringspunt.
3. Zijaanzicht van verankeringsbanden, (Fig. K).



Handling

INKLAPPEN

Verwijder eerst het zitkussen van de rolstoel en kantel de voetplaat of de onafhankelijke voetsteunen naar boven. Pak de zitting of de buizen van de rugleuning in het midden en trek hem omhoog. Zo klapt u de rolstoel in. Om uw rolstoel zo klein mogelijk te maken, zodat hij bijvoorbeeld in een auto past, kunt u de voetsteunen verwijderen (afhankelijk van het model). Duw daarvoor de grendel van de voetsteun naar binnen en draai de voetsteun naar buiten. Vervolgens kunt u de voetsteun gewoon uit de ontvangbuis trekken (Fig. 1).



UITKLAPPEN

Druk op de zittingbuis (zie afbeelding). Uw rolstoel is dan uitgeklaapt. Klik de zitbuizen in hun positie in het zadel van de zitting. Dat gaat makkelijker als u de rolstoel wat opzij kantelt. Zo haalt u het gewicht immers weg van één achterwiel en kunt u de rolstoel makkelijker uitklappen. **Zorg ervoor dat uw vingers niet tussen de gekruiste buizen raken.** Het opnieuw aanbrengen van het zitkussen (Fig. 2).

Zonder hulp in uw rolstoel gaan zitten (Fig. 3)

- Duw de rolstoel tegen een muur, of een stevig meubel.
- Zorg dat de rolstoel op de rem staat;
- De voetplaten moeten omhoog worden geklapt;
- Nu kunt u zich in de rolstoel laten zakken.
- Duw vervolgens de voetsteunen naar beneden; nu kunt u uw voeten hierop zetten, voor de hielbeugels.



Zonder hulp uit uw rolstoel komen (Fig. 4)

- Zorg dat de rolstoel op de rem staat;
- De wegklapbare voetplaten moeten worden weggeklapt;
- Steun op de armsteunen, buig enigszins voorover om uw lichaamsgewicht naar de voorzijde van de stoel te brengen. Zet uw beide voeten stevig op de grond, één voet naar achteren en duw uzelf omhoog naar een staande positie.



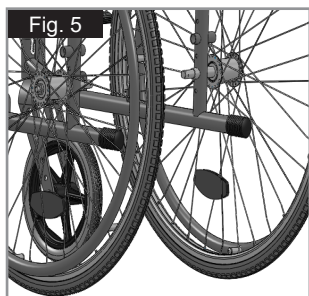
⚠ WAARSCHUWING!

Ga bij het opstaan niet op de voetsteunen staan, hierdoor kantelt de rolstoel. Wanneer u wilt plaatsnemen in uw rolstoel, is het gemakkelijker en veiliger wanneer u de voetplaten omhoog klapt of verwijderd. Zo zitten ze u niet in de weg.

Opties - Trapdop

TRAPDOP (FIG. 5)

Begeleiders gebruiken de trapdop om een rolstoel over een obstakel te kantelen. Trap gewoon op de buis om een rolstoel bijvoorbeeld over een stoep of een trede te duwen.

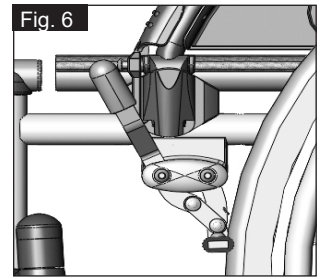


OPMERKING: Voor modellen waarbij de rolstoel voornamelijk zal worden voortgeduwd door een begeleider, adviseert Sunrise Medical het gebruik van een trapdop. Er kan schade aan de rugbuizen ontstaan wanneer de rugbuis telkens zonder een trapdop wordt gebruikt, als hendel om de rolstoel terug te trekken of te doen kantelen om over obstakels heen te rijden.

Opties - Wielvergrendelingen

WIELVERGREDELINGEN

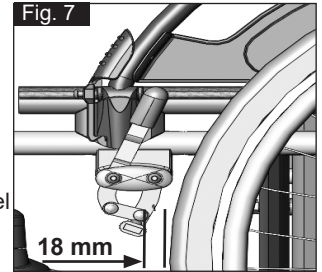
Uw rolstoel heeft twee wielvergrendelingen. Ze komen rechtstreeks op de banden terecht. Om de vergrendelingen te gebruiken, drukt u beide vergrendelingshendels naar voren tot tegen de aanslagen. Om de vergrendeling ongedaan te maken, trekt u de hendels weer naar hun oorspronkelijke positie.



Het remvermogen vermindert wanneer:

- het loopvlak van de band versleten is;
- de bandendruk niet voldoende is;
- de banden nat zijn;
- de wielvergrendelingen niet goed afgesteld zijn.

De parkeerremmen zijn niet bedoeld om als rem voor een bewegende rolstoel te dienen. U mag de wielvergrendelingen dan ook niet gebruiken om een bewegende rolstoel te doen remmen. Rem altijd met behulp van de hoepels. Zorg ervoor dat de afstand tussen de banden en de wielvergrendelingen voldoet aan de vermelde specificaties. Om die afstand aan te passen, draait u de schroef los en stelt u de juiste afstand in. Draai vervolgens de schroeven weer aan (Fig. 6 en 7).



⚠ OPGELET!

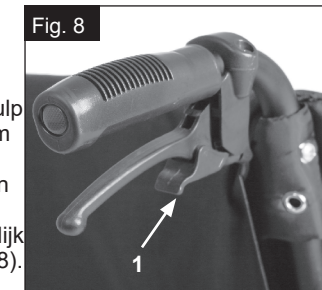
- Telkens wanneer u de achterwielen hebt bijgesteld, moet u nagaan of de afstand tot de wielvergrendelingen in orde is. Pas die indien nodig aan.
- Wanneer u de wielvergrendeling te dicht bij het wiel monteert, zal deze moeilijker te hanteren zijn. Hierdoor kan de remhendel breken!
- Wanneer er op de remhendel wordt geleund bij het overbrengen van de gebruiker, zal de remhendel breken! Opspattend water en vuil van de banden kan slecht functioneren van de wielvergrendelingen veroorzaken.

TROMMELREMMEN

Trommelremmen helpen een begeleider om veilig en goed te remmen.

U kunt deze ook gebruiken met behulp van een vergrendelingshendel (1) om te voorkomen dat u weggroet. U moet de hendel in zijn plaats horen klikken.

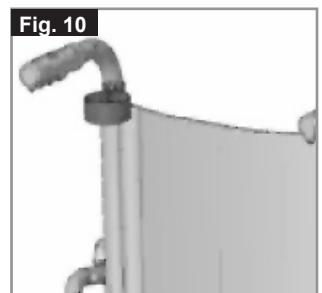
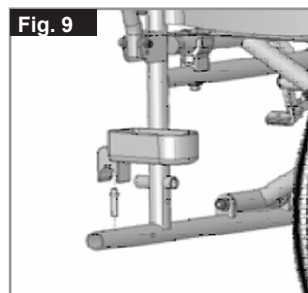
Trommelremmen werken onafhankelijk van de luchtdruk in de banden (Fig. 8).



⚠ WAARSCHUWING!

- U mag de trommelremmen alleen door erkende dealers laten aanpassen.
- Gebruik de 2 remmen altijd tegelijkertijd! Wanneer u 1 rem gebruikt, zal de rolstoel van rijrichting veranderen.
- Trommelremmen kunnen uitsluitend als dynamische rem worden gebruikt om de rolstoel te stoppen wanneer deze in beweging is.
- Schakel altijd de wielvergrendeling in tijdens een lange of korte stop, of bij het overplaatsen van de gebruiker, om de rolstoel op zijn plaats te houden.

Opties - Krukenhouder



Opties - Voetenplaten

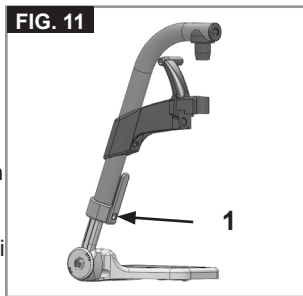
VOETENPLATEN:

De voetplaten kunnen worden opgeklapt om makkelijker in en uit uw rolstoel te komen.

Iedere montage weegt 1,0kg

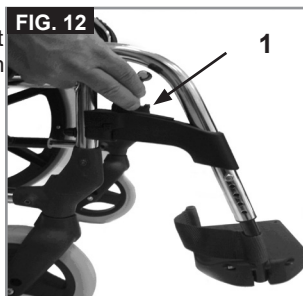
LENGTE VAN HET ONDERBEEEN:

Voor gebruikers met langere benen, kan de voetsteun tot het juiste niveau worden verlaagd met gebruik van de schroeven (1). Draai de schroeven los, druk de buizen naar de gewenste positie en draai de schroeven daarna opnieuw aan (zie onderdeel over draaimoment). Er moet altijd 2,5 centimeter ruimte tussen de voetplaten en de grond zijn, (Fig. 11).



VOETSTEUNEN EN ONTGRENDSELKNOP

De voetsteunen kunnen in- en uitwaarts worden gezwaaid onder het zitjuk. Bij het aanbrengen van de voetsteunen, moeten de voetsteunen naar binnen of buiten zijn gericht. Draai de voetsteunen dan naar de middenlijn tot hij op zijn plaats vastklikt. Om de voetsteunen te verwijderen trekt u aan de hendel (1), zwaait u de voetsteunen naar binnen of buiten en heft u ze op om ze te verwijderen. Zorg ervoor dat de voetsteun goed op zijn plaats vastklikt, (Fig. 12).



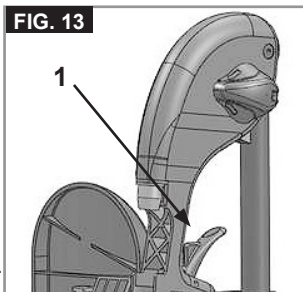
⚠ OPGELET!

- De voetsteunen mogen niet worden gebruikt om de stoel te tillen of te dragen wanneer de gebruiker in de stoel zit.
- Gebruik de voetplaten niet als u in of uit de rolstoel stapt. Deze moeten voordien omhoog worden gekanteld of de voetsteun moet zover mogelijk naar buiten worden geduwd.

OPTIE LENGTE COMPENSERENDE BEENSTEUN

(Fig. 13-15)

Om de voetplaat te verwijderen, trekt u aan de hendel (1), zwaait u de voetplaat naar buiten en tilt u de beensteun op om deze te verwijderen.



AANPASSING HOOGTE:

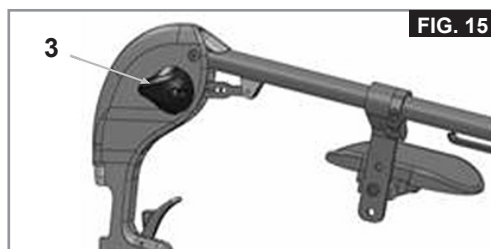
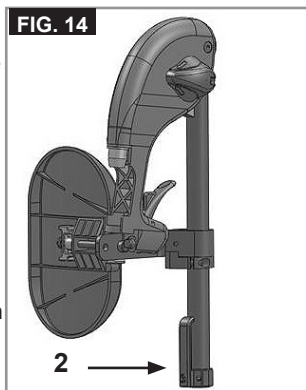
De onderbeenlengte is zeer flexibel en kan worden aangepast door de schroef (2) los te maken. Stel de geschikte hoogte in en draai de schroef weer aan.

⚠ OPGELET!

De afstand tussen de voetplaat en de grond moet minstens 40 mm zijn.

AANPASSING HOEK:

Duw met één hand de hendel (3) naar beneden, terwijl u met de andere hand de beensteun ondersteunt om het gewicht weg te nemen. Wanneer een geschikte hoek is bereikt, laat u de hendel los; de beensteun zal in één van de vooraf ingestelde posities vergrendelen.



AANPASSEN VAN HET KUITKUSSEN

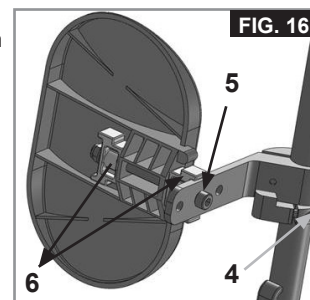
(Fig. 16).

Het kuitkussen kan als volgt worden aangepast:

Hoogte: draai de bout (4) open en verplaats het kuitkussen naar de gewenste positie. Door het kuitkussen te draaien kan ook de hoek worden aangepast.

Diepte: draai de bout (5) open en beweeg het kuitkussen in de gewenste positie.

Breedte: draai de bout (5) open en plaats de ringetjes (6) achter het kussen, om de gewenste positie in te stellen.



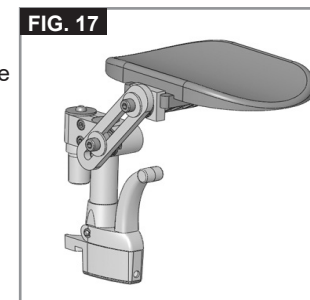
⚠ WAARSCHUWING!

- Houd uw handen weg van het aanpassingsmechanisme tussen het frame en de beweegbare onderdelen van de voetsteun terwijl u de voetsteun verhoogt of verlaagt.
- Controleer altijd of de bevestigingsmaterialen goed vast zitten.
- De voetsteunen mogen niet worden gebruikt om de rolstoel op te tillen of te dragen.
- Vingers kunnen bekneld raken! Als de voetsteunen omhoog of omlaag worden bewogen, mag u uw vingers niet in het aanpassingsmechanisme tussen de bewegende onderdelen van de voetsteun plaatsen.

AMPUTATIEBESCHERMER

(Fig. 17).

De amputatiebeschermer kan in elke richting, naar wens worden aangepast.



Opties - Zwenkwielen

ZWENKWIELEN, BALHOOFDEN, VOORVORKEN

Het kan gebeuren dat de rolstoel iets afwijkt naar links of naar rechts of dat de zwenkwielen wiebelen. Dat kan door de volgende zaken komen:

- De voorwaartse en/of achterwaartse wielbeweging is niet goed ingesteld.
- De camber is niet goed afgesteld.
- De luchtdruk van het zwenkwiel en/of van het achterwiel is niet goed; de wielen draaien niet soepel genoeg.

De rolstoel beweegt niet in een rechte lijn als de zwenkwielen niet goed zijn aangepast. U moet de voorwielen laten afstellen door een erkend dealer. Telkens als de positie van het achterwiel is gewijzigd, moet de wielvergrendeling worden gecontroleerd. De zithoogte wordt bepaald door de positie van het achterwiel en het zwenkwiel. De zithoogte kan worden veranderd door de positie van de achterwielen en zwenkwielen te wijzigen.

⚠ OPGELET!

Nadat de zithoogte is gewijzigd, moeten alle schroeven opnieuw worden aangedraaid en de wielvergrendeling moet opnieuw worden aangepast.

De zwenkwielen moeten worden afgesteld op 90SDgr

Opties - Zijbescherming

STANDAARD ZIJBESCHERMING, OPKLAPBAAR, MET KORTE OF LANGE ARMSTEUNEN.

Dankzij de zijkanten met afgeronde voorranden kunt u dicht bij een tafel komen.

Om de armsteun op te klappen, duwt u de hendel (1) zodat de zijbescherming wordt ontkoppeld. (18).

De lengte van de armsteun kan worden aangepast door de schroeven (2) los te draaien, verplaats vervolgens de armsteun naar de gewenste positie en draai de schroeven weer aan (Fig. 19).



WAARSCHUWING!

Noch de armleuningen, noch de opvulkussens mogen worden gebruikt om de rolstoel te tillen of te dragen.

ZIJKANTEN, OPKLAPBAAR, AFNEEMBAAR MET KORTE OF LANGE ARMSTEUNEN, IN HOOGTE INSTELBAAR

De armsteun kan qua hoogte als volgt worden ingesteld.

Duw de hendel naar beneden en beweeg de armsteun naar de gewenste hoogte (3).

Laat de hendel los en druk de armsteun omlaag tot u hem op zijn plaats hoort klikken. Controleer altijd dat de zijkant stevig op zijn plaats zit



U klapt de armsteun op door hendel (1) in te drukken zodat de zijkant vrijkomt.

U kunt de lengte van de armsteun aanpassen door de schroeven (2) los te draaien, de armsteun naar gewenste positie te duwen en de schroeven opnieuw aan te draaien (Fig. 20).

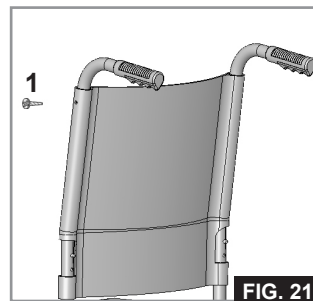
WAARSCHUWING!

Noch de armleuningen, noch de opvulkussens mogen worden gebruikt om de rolstoel te tillen of te dragen.

Opties - Rugleuning

HOOGTEVERSTELBARE RUGLEUNING

De hoogte van de rugleuning kan in twee verschillende posities worden gezet (41 cm en 42,5 cm). Maak de bouten los (1) en verwijder ze. Duw nu de rugleuning in de gewenste positie. Draai de bouten weer aan (Fig. 21).



Opties - Werkblad

WERKBLAD

Hiermee kunt u krukken meenemen op de rolstoel. Alvorens u een blad gebruikt, moet een erkende dealer dat aanpassen aan de breedte van de zitting. Tijdens de proefrit moet u in de rolstoel zitten (Fig. 22).



Opties – Anti-tip wielen

ANTI-TIP WIELEN

Anti-tip wielen bieden bijkomende veiligheid voor onervaren gebruikers wanneer deze nog leren hoe de rolstoel te gebruiken. Anti-tip wielen voorkomen dat de rolstoel naar achteren kantelt.



Door op de ontgrendelingsknop (1) te drukken, kunnen de anti-tip wielen omhoog worden gebracht of worden verwijderd. Er moet altijd tussen de 3 cm en 5 cm afstand zijn tot aan de grond.

U moet de wielen naar voren zwaaien wanneer u grote hindernissen (bijv. stoep) op- of afrijdt, om aanraking met de grond te vermijden.

Draai de anti-tip wielen vervolgens weer naar beneden in de normale positie (Fig. 23).

WAARSCHUWING!

Wanneer de anti-tip wielen verkeerd zijn aangebracht, wordt het gevaar op achterwaarts kantelen groter.

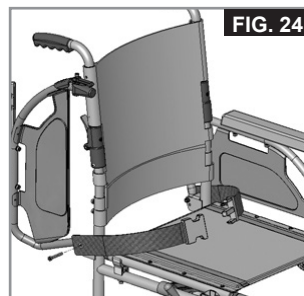
Opties – Heupgordel

WAARSCHUWING!

Controleer, voordat u uw rolstoel gebruikt, of de heupgordel correct is aangepast en vastgemaakt.

De heupgordel dient aan de rolstoel bevestigd te zijn zoals getoond op de afbeeldingen. De gordel bestaat uit twee delen. Ze worden gemonteerd op het aanhechtpunt van de bestaande armleuning; de schroef moet door het oog van de gordel worden gestoken.

De gordel wordt onder de achterzijde van het zijpaneel geleid. Pas de gordel zodanig aan dat de sluiting zich in het midden van de stoel bevindt. (Fig. 24-25)



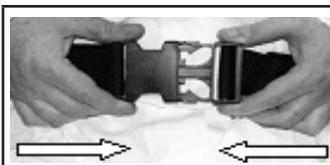
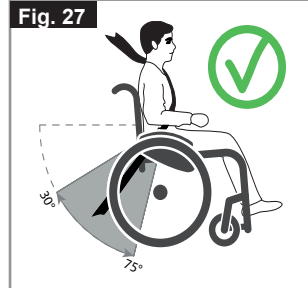
De heupgordel wordt als volgt aangepast aan de wensen van de gebruiker:

Om de lengte van de gordel te vergroten	Om de lengte van de gordel te verkleinen:	✓
Type B	Type B	Type B
Om de gordel langer te maken, haalt u het niet-gebruikte deel van de gordel door de geleiders en gesp.	Haal vervolgens het niet-gebruikte deel van de gordel door de gesp en geleiders.	Controleer of de gordel niet om de sluiting is gedraaid.

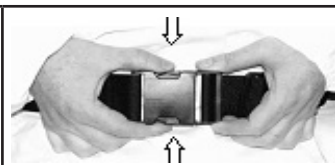
Opties – Heupgordel>>>

Controleer na het vastmaken de ruimte tussen de gordel en de gebruiker. Als men een vlakke hand tussen de gordel en het lichaam van de gebruiker kan steken (niet meer en niet minder), is de gordel correct aangemeten. (Fig. 26)

Over het algemeen moet de heupgordel zodanig bevestigd zijn dat de gordel in een hoek van 45° vastgemaakt kan worden. Als de gordel op de juiste wijze bevestigd is, kan de gebruiker niet in de rolstoel naar beneden glijden. (Fig. 27)



Om de sluiting te sluiten:
Steek de tanden van de gesp in de sluiting.



Om de sluiting los te maken:
Druk de zijkanten van de gesp naar binnen / druk op de drukknop van de gesp terwijl u de twee gespdelen rustig uit elkaar trekt.

NUTTIGE TIPS

⚠ GEVAAR!

- Gebruik niet alleen de heupgordel tijdens transport van de gebruiker en rolstoel in een voertuig. Gebruik ook de afzonderlijke heupgordel en diagonale veiligheidsgordels die in het voertuig aanwezig zijn.
- Sunrise adviseert om de heupgordel voor gebruik te controleren om er zeker van te zijn dat de gordel op juiste wijze is aangebracht, niet gehinderd wordt, niet versleten is en de sluiting goed gesloten is.
- Wanneer niet wordt gecontroleerd of de heupgordel in goede staat is en correct omgedaan is, kan dit leiden tot ernstig letsel van de rolstoelgebruiker. Een te losse gordel kan er bijvoorbeeld toe leiden dat de rolstoelgebruiker naar beneden glijdt, waarbij gevaar op verstikking ontstaat.

ONDERHOUD:

Controleer de gordel en de bevestigingsmaterialen geregeld op slijtage of beschadiging. Vervang de gordel indien noodzakelijk. Maak de gordel schoon met warm water en zeep en laat hem vervolgens drogen.

⚠ GEVAAR!

De heupgordel moet naar wens van de gebruiker worden aangepast, zoals hierboven wordt getoond. Sunrise Medical adviseert tevens dat de lengte en 'pasvorm' geregeld worden gecontroleerd om te voorkomen dat de rolstoelgebruiker de gordel ongewild heeft aangepast en te lang heeft gemaakt. Indien u vragen of twijfels heeft over het gebruik en de wijze van gebruik van de heupgordel, vraag dan advies aan uw medische begeleider, rolstoeldealer, verzorger of begeleider.

Sticker

STICKER

De sticker bevindt zich of op het kruisframe, of op de dwarsstang van het frame. Ook vindt u een sticker met gegevens in de gebruikershandleiding. Op de sticker met het serienummer staat ook de precieze naam van het model en andere technische gegevens. Wanneer u vervangingsonderdelen bestelt of een shadeclaim indient, moet u de volgende gegevens vermelden:

VOORBEELD

	Sunrise Medical GmbH Kahlbachring 2-4 D-69254 Malsch / Germany	XXXX-XX-XX	
TYPE: Wheelchair, Rollstuhl, Fauteil Roulant, Silla de Ruedas		SN XXXXXXXXXXXXXXXX	
Unix2		ISO 7176-19:2008	
XXX kg	max X°	XXX mm	XXX mm

TYPE:	Naam product, SKU nummer
max X°	De maximale veiligheidsmarge bij hellingen met anti-tip wielen hangt onder andere af van de instellingen, postuur en fysieke capaciteiten van de gebruiker.
XXX mm	Breedte zitsysteem.
XXX mm	Diepte (max.)
XXX kg	Maximale belasting.
	UKCA-keurmerk.
	CE-keurmerk.
	Raadpleeg de gebruiksaanwijzing
XXXX-XX-XX	Productiedatum.
	Serienummer.
	Dit symbool betekent Medisch apparaat.
	Adres fabrikant.
ISO 7176-19:2008	Crashtest met goed gevolg doorstaan in overeenstemming met: ISO 7176-19:2008.
	Adres van de importeur
	Verantwoordelijke persoon VK
	Het adres van de vertegenwoordiger in Zwitserland

Ons beleid is erop gericht het ontwerp van onze rolstoelen voortdurend te verbeteren. Hierdoor kunnen productspecificaties enigszins afwijken van de getoonde voorbeelden. Alle gewichten, afmetingen en gegevens betreffende prestaties zijn bij benadering en dienen slechts als richtlijn.

Alle rolstoelen moeten worden gebruikt in overeenstemming met de gebruiksaanwijzing van de fabrikant.

Sunrise Medical GmbH
Kahlbachring 2-4
69254 Malsch/Heidelberg
Deutschland
Tel.: +49 (0) 7253/980-0
Fax: +49 (0) 7253/980-222
kundenservice@sunrisemedical.de
www.SunriseMedical.de

Banden en montage

BANDEN EN MONTAGE

De rolstoel wordt af fabriek standaard met massieve banden geleverd.

Wanneer u gebruikmaakt van luchtbanden, zorg er dan voor dat u de juiste bandenspanning houdt, want de bandenspanning beïnvloedt de prestaties van de rolstoel. Als er niet genoeg druk op de banden staat, zal de rolweerstand toenemen waardoor u een grotere inspanning moet leveren om de rolstoel voort te bewegen; bovendien maakt een lage bandendruk de rolstoel minder wendbaar. Als de bandendruk te groot is, kan de band springen. De juiste druk voor een bepaalde band staat vermeld op het oppervlak van de band zelf.

De banden zijn op dezelfde manier op de velg aan te brengen als gewone fietsbanden. Alvorens u een nieuwe binnenband oplegt, moet u altijd controleren of er zich geen vreemde voorwerpen bevinden op de basis van de velg en de binnenzijde van de band. Controleer de druk nadat u een band opgelegd of hersteld hebt. Het is voor uw veiligheid en voor de goede werking van uw rolstoel van erg groot belang dat de voorgeschreven luchtdruk altijd gehandhaafd blijft en dat de banden in goede conditie zijn.

Dagelijkse controle

⚠ OPGELET!

Als gebruiker bent u de eerste die mogelijke defecten opmerkt. Wij adviseren dat u voor ieder gebruik de onderstaande lijst afwerkt:

- Controleer of de bandenspanning correct is.
- Controleer of de remmen goed werken.
- Controleer of alle verwijderbare onderdelen, zoals armsteun, voetsteun, quick-release as en dergelijke, goed vast zitten.
- Controleer op zichtbare schade aan bijvoorbeeld het frame, de rugleuning, bespanning van zitting en rugleuning, wielen, voetplaten enzovoorts. Als u schade of slecht functionerende onderdelen ontdekt, neem dan

Mogelijke problemen

contact op met uw erkende dealer.

Rolstoel trekt naar één kant

- Controleer de bandenspanning (geldt alleen voor luchtbanden).
- Controleer of het wiel vlot draait (lagers, as)
- Controleer of de zwenkwielen goed zijn afgesteld en voldoende contact maken met de grond.
- Controleer of de lagers van de wielvork vrij draaien.

Voorwielen beginnen te wiebelen

- Controleer of alle bouten vast zitten; draai ze indien nodig vast (zie hoofdstuk over de koppelsleutel)
- Controleer of beide voorwielen de grond goed raken

Rolstoel piept en rammelt

- Controleer of alle bouten vast zitten; draai ze indien nodig vast (zie hoofdstuk over de koppelsleutel)
- Breng een beetje smeerolie aan op plaatsen waar beweegbare delen met elkaar in contact komen

Rolstoel begint te wiebelen

- Controleer hoek waarin voorwielen ingesteld zijn

Algemeen onderhoud

Controleer alle banden op slijtage of beschadiging.

- Controleer of de achterwielen ongelijk zijn gemonteerd of aangepast.

ONDERHOUD

- Controleer de bandendruk om de 4 weken. Controleer alle banden op slijtage en beschadiging.
- Controleer de remmen ongeveer om de 4 weken om na te gaan of ze nog goed werken en makkelijk te bedienen zijn.
- Verander de banden zoals u dat bij een gewone fiets zou doen.
- Alle verbindingen die van essentieel belang zijn voor het veilige gebruik van uw rolstoel zijn zelfvergrendelend. Controleer om de 3 maanden of alle bouten stevig vast zitten (zie hoofdstuk over de koppelsleutel). U mag borgmoeren maar één keer monteren en u moet ze vervangen na een bepaalde gebruiksperiode.

- Gebruik alleen zachte (niet agressieve) schoonmaakproducten om uw rolstoel schoon te maken. Gebruik alleen water en zeep wanneer u de bekleding van de stoel en de heupgordel reinigt.
- Droog uw rolstoel af wanneer deze tijdens gebruik nat is geworden. Zo voorkomt u roest en zoutcorrosie.
- Om de 8 weken ongeveer moet u een klein beetje naaimachine-olie op de quick-release-assen aanbrengen. Afhankelijk van hoe frequent u uw rolstoel gebruikt, raden we aan dat u om de 12 maanden met uw rolstoel naar uw dealer gaat waar gespecialiseerd personeel hem kan nakijken.

⚠ OPGELET!

Zand en zeewater (of zout in de winter) kan de rollagers van de voor- en achterwielen beschadigen. Maak de rolstoel grondig schoon nadat die aan zand en zeewater is blootgesteld.

De onderstaande onderdelen kunnen worden verwijderd en voor reparatie teruggezonden naar de fabrikant/dealer: Achterwielen, armsteunen, hanger, anti-tip wielen. Deze onderdelen zijn als reserveonderdelen beschikbaar. Meer informatie hierover vindt u in de handleiding onderdelen.

HYGIËNEMAATREGELEN BIJ HERGEBRUIK:

Voordat de rolstoel door een nieuwe gebruiker in gebruik genomen wordt, moet de stoel zorgvuldig worden voorbereid. Alle oppervlaktes waarmee de gebruiker in aanraking komt, moeten behandeld worden met een desinfecterende spray. Hiertoe moet u een desinfectiemiddel gebruiken dat in uw land is toegestaan/wordt geadviseerd voor snelle, op alcohol gebaseerde ontsmetting van medische producten en medische hulpmiddelen die snel gedesinfecteerd moeten worden. Wees u bewust van en volg de instructies van de fabrikant van het desinfecterende middel dat u gebruikt. Over het algemeen kan op de naden van de rolstoel geen volledige ontsmetting worden gegarandeerd. We adviseren zitting- en rugbanden (slings) te verwijderen volgens de voor u geldende wetgeving inzake infectiebescherming om microbacteriële bestemming met actieve agentia te voorkomen.

OPSLAG

Berg de rolstoel op/bewaar de rolstoel op een droge plaats.

Afvalverwerking / recycling van materialen

OPMERKING: Wanneer u de rolstoel gratis heeft ontvangen, is deze mogelijk niet uw eigendom. Wanneer u de rolstoel niet langer nodig hebt, volg dan de instructies op van de organisatie van wie u de rolstoel hebt ontvangen. De organisatie wil de rolstoel vermoedelijk terug hebben.

De onderstaande informatie heeft betrekking op de in de rolstoel en verpakking gebruikte materialen, voor wat betreft de afvalverwerking of recycling van de rolstoel en het verpakkingsmateriaal. Er kan specifieke wetgeving bestaan in uw land of woonplaats; neem deze wet- of regelgeving in overweging, wanneer u de rolstoel naar de afvalverwerking wilt brengen. (Dit kan inhouden dat u de stoel voor verwijdering naar de afvalverwerking moet schoonmaken en ontsmetten).

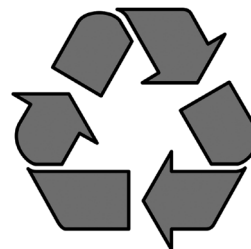
Staal: bevestigingsmateriaal, QR assen, zijbescherming, armsteunen, frame, beensteunen, duwhandvatten.

Plastic: handgrepen, zwenkwielvorken, dopjes, zwenkwielen, voetplaten, armkussens, 12" wiel/banden, wielen, zijbescherming.

Verpakking: Lage dichtheid polytheen zak, kartonnen doos.

Bekleding: Geweven polyester met PVC coating en geëxpandeerd gevormd schuim.

Afvalverwerking of recycling dient plaats te vinden via een erkende agent, afvalverwerking met vergunningen. Als alternatief kunt u uw rolstoel ook terugbrengen naar uw dealer voor verdere afvalverwerking.



Technische gegevens

MAXIMAAL GEBRUIKERSGEWICHT: 125 KG

ZIE OOK BLADZIJDE 4

Overeenkomstig EN12183: 2009 zijn alle hier opgenoemde onderdelen (zitting, bekleding rugleuning, armkussen, zijbescherming, ...) vuurresistent zoals omschreven in EN1021-2.

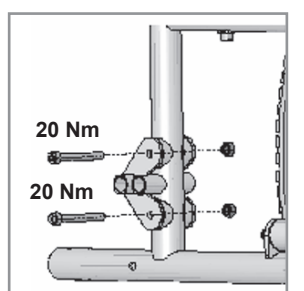
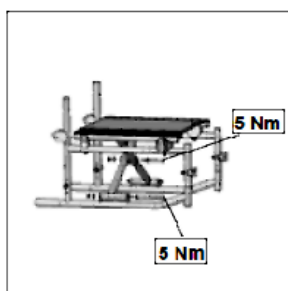
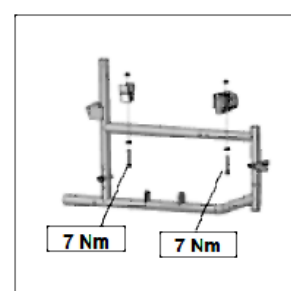
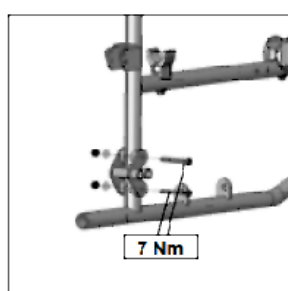
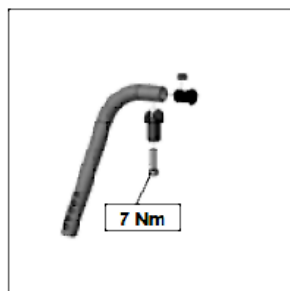
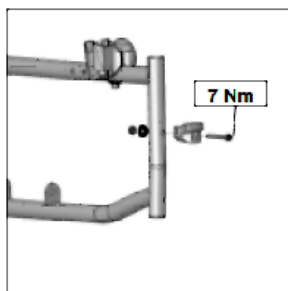
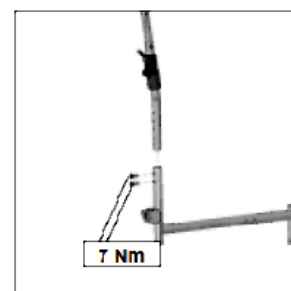
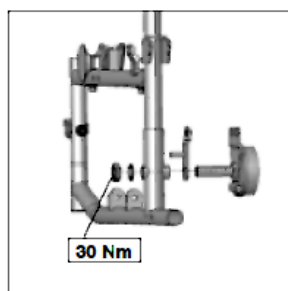
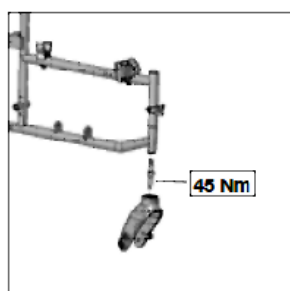
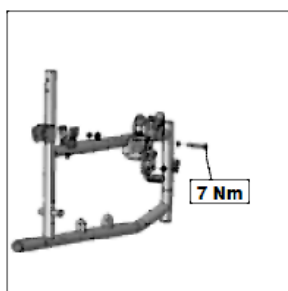
De werking van de Dynamic beveiliging hangt af van de instellingen van de stoel, de capaciteiten van de gebruiker en de rijstijl. Omdat Sunrise Medical vooraf niet kan voorzien hoe de capaciteiten en rijstijl van de gebruiker is, kan de maximale veilig te nemen helling niet worden bepaald. Daarom moet dit door de gebruiker worden bepaald, samen met een begeleider, die kan voorkomen dat de rolstoel kantelt. Sunrise Medical adviseert onervaren gebruikers anti-tip wielen te laten installeren. De rolstoel voldoet aan de volgende vereisten:

- a) Vereisten en testmethodes voor statische krachten, botskrachten en materiaalmoeheid (ISO 7176-8)
- b) Vereisten voor weerstand bij starten in overeenstemming met ISO 7176-16 (EN 1021-1)

Aanpassing zithoogte

470 mm	8"	5	24"	B
510 mm	8"	1	24"	A

Koppel



Avant-propos


Chère cliente, cher client,

Vous avez choisi un produit de SUNRISE MEDICAL de grande qualité. Nous nous en réjouissons.

Ce manuel d'utilisation vous fournira de nombreux conseils et suggestions de sorte que votre produit deviendra pour vous un partenaire familier digne de confiance.

Notre objectif est que vous soyez satisfait de nos services. Sunrise Medical s'attache à améliorer en permanence ses produits. Ainsi, des modifications quant à la forme, à la technique et à l'équipement peuvent être apportées à notre gamme de produits. Aucune réclamation ne pourra donc être adressée au sujet des informations et illustrations de ce manuel d'utilisation.

Le système de gestion de SUNRISE MEDICAL est certifié ISO 13485 et ISO 14001.

 En sa qualité de fabricant, SUNRISE MEDICAL, déclare que ce produit est conforme au règlement sur les dispositifs médicaux (2017/745).

REMARQUE :

Conseil d'utilisation générale.

Le non-respect des présentes instructions peut causer des blessures physiques, l'endommagement du matériel ou la dégradation de l'environnement.

Avis à l'utilisateur et/ou au patient : Tout incident grave en rapport avec le dispositif doit être signalé au fabricant et aux autorités compétentes de l'État membre dans lequel réside l'utilisateur et/ou le patient.

Adaptations spéciales pour B4Me

Afin de vous assurer que votre produit B4Me fonctionne de manière performante comme prévu par le fabricant, Sunrise Medical vous recommande vivement de lire et de comprendre toutes les informations utilisateur fournies avec votre produit B4Me avant de l'utiliser pour la première fois.

Sunrise Medical recommande également que les informations utilisateur ne soient pas jetées après leur lecture, mais qu'elles soient conservées en toute sécurité afin d'être consultées ultérieurement.

Combinaison de dispositifs médicaux

Il est possible de combiner le présent dispositif médical avec un ou plusieurs autres dispositifs ou produits. Vous trouverez sur www.Sunrisemedical.fr toutes les informations utiles sur les combinaisons possibles. Toutes les combinaisons présentées ont été validées et sont conformes aux exigences générales en matière de sécurité et de performances énoncées dans annexe I No. 14.1 du règlement 2017/745 relatif aux dispositifs médicaux.

Vous trouverez des conseils sur la combinaison, relatifs par exemple au montage, sur www.SunriseMedical.fr

Adressez-vous à notre service après-vente SUNRISE MEDICAL, compétent et agréé, pour toute question concernant l'utilisation, la maintenance ou la sécurité de votre fauteuil roulant.

En l'absence de revendeur près de chez vous ou si vous avez des questions, contactez-nous par courrier ou par téléphone (vous trouverez nos coordonnées au dos du manuel).

Sunrise Medical SAS
ZAC de la Vrillonnerie
17 Rue Michaël Faraday
37170 Chambray-Lès-Tours
Tel : +33 (0) 2 47 55 44 00
Email: info@sunrisemedical.fr
www.sunrisemedical.fr

Il vous est conseillé de noter dans l'encadré ci-dessous les coordonnées de votre service après-vente. En cas de panne, contactez-le en lui donnant autant d'informations que possible sur la nature de la panne de sorte qu'il puisse vous aider efficacement et rapidement.

Symbole légende



IMPORTANT :

N'UTILISEZ PAS VOTRE FAUTEUIL AVANT D'AVOIR LU ET COMPRIS LES INFORMATIONS CONTENUES DANS CE MANUEL.



DANGER !

Messages d'avertissement sur des risques pouvant entraîner un accident grave, voire mortel.



AVERTISSEMENT !

Messages d'avertissement sur des risques pouvant entraîner des blessures.



ATTENTION !

Messages d'avertissement sur les risques d'endommagement du matériel.

REMARQUE :

Informations sur l'utilisation appropriée du matériel.

Sommaire	
Description du fauteuil	2
Avant-propos	57
Symbole légende	57
Sommaire	58
Utilisation	58
Champ d'application	58
Consignes de sécurité et de conduite	59
Garantie	60
Transportabilité	61
Manipulation	63
Options - Leviers de basculement	63
Options - Freins	63
Options - Porte-canne	63
Options - Palettes	64
Options – Roues avant	64
Options - Protège-vêtement	65
Options - Dossier	65
Options - Tablette thérapeutique	65
Options - Roulettes anti-bascule	65
Options – Ceinture sous-abdominale	65
Plaque signalétique	67
Pneus et montage des pneus	68
Contrôles quotidiens	68
Dépannage	68
Maintenance et entretien	68
Mise au rebut / Recyclage des matériaux	68
Caractéristiques techniques	69
Réglage de la hauteur du siège	69
Couple réel	69

Utilisation

Les fauteuils roulants en acier sont exclusivement destinés aux utilisateurs dans l'incapacité de marcher, avec une mobilité limitée, pour leur propre utilisation à l'intérieur et à l'extérieur sur des surfaces sèches, fermes et nivelées (automoteur ou poussées auxiliaires).

La charge maximale (à savoir le poids de l'utilisateur et des accessoires éventuellement embarqués) est indiquée sur la plaque signalétique apposée sur le croisillon ou sur la barre de stabilisation, en dessous du siège.

La garantie n'est valable que si le produit est utilisé dans les conditions spécifiées et pour l'usage pour lequel il est prévu. La durée de vie prévue pour ce fauteuil est de cinq années. N'utilisez ET n'installez aucun composant tiers sur le fauteuil, à moins qu'ils n'aient été formellement approuvés par Sunrise Medical.

Champ d'application

Indications

De par la diversité des options de montage et sa conception modulaire, ce fauteuil convient pour les personnes dans l'incapacité de marcher ou à mobilité restreinte, suite à :

- Une paralysie
- La perte d'un membre (amputation de la jambe)
- La difformité d'un membre
- Des contractures/blessures aux articulations
- Pour les maladies telles que les déficiences cardiaques et circulatoires, la perturbation de l'équilibre ou la cachexie, les profils de maladies neurologiques, la dystrophie musculaire, l'hémiplégie ainsi que pour les personnes âgées qui ont encore de la force dans le haut du corps.

Contre-indications

Le fauteuil roulant ne peut être utilisé sans accompagnateur dans les cas suivants :

- Trouble de la perception
- Déséquilibre
- Perte des deux bras, sans le soutien d'un soignant
- Contracture articulaire ou dommages articulaires au niveau des deux bras
- Incapacité à s'asseoir

Sélectionner le bon fauteuil nécessite de prendre en compte des éléments tels que la taille de l'utilisateur, son poids, sa constitution physique et psychologique, son âge, son mode de vie et son environnement.

REMARQUE :

Il convient de noter que l'utilisation d'un fauteuil roulant exige un certain degré de capacités cognitives, physiques et visuelles. L'utilisateur doit être en mesure d'évaluer les conséquences de ses actions pendant l'utilisation du fauteuil roulant et, si nécessaire, les corriger. Ces capacités et l'utilisation sécurisée de composants supplémentaires fixés au fauteuil roulant ne peuvent être évaluées par le fabricant, Sunrise Medical. Nous déclinons toute responsabilité pour tout dommage découlant d'une telle situation.

Veillez prendre connaissance des consignes d'utilisation relatives au fauteuil roulant et aux composants accessoires embarqués. Communiquez à l'utilisateur les informations utiles sur l'utilisation sécurisée du fauteuil roulant et des composants accessoires embarqués. Communiquez à l'utilisateur les avertissements spécifiques qu'il est important de connaître et de respecter.

Consignes de sécurité et de conduite

La conception et la construction du fauteuil sont réalisées pour garantir une sécurité maximale. A l'échelle internationale, toutes les exigences applicables en matière de normes de sécurité sont respectées, voire dépassées.

Toutefois, l'utilisateur peut se mettre en situation de danger en utilisant son fauteuil de façon incorrecte. Pour votre sécurité, vous devrez impérativement respecter les consignes suivantes. Les altérations ou réglages non professionnels ou erronés augmentent le risque d'accidents. En tant qu'utilisateur de fauteuil roulant, vous participez à la circulation publique, sur routes ou trottoirs. Vous êtes par conséquent tenu de respecter le code de la route.

Lors de votre première utilisation du fauteuil, roulez prudemment. Familiarisez-vous avec l'utilisation de votre nouveau fauteuil roulant. Avant chaque utilisation de votre fauteuil, contrôlez impérativement :

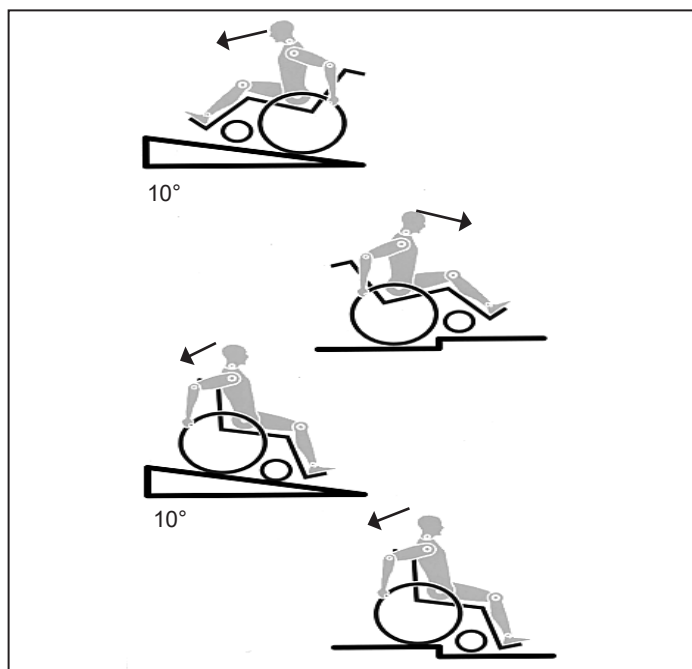
- Les axes fixes ou les axes à déverrouillage rapide sur les roues arrière.
- Les bandes velcro de l'assise et du dossier
- Les pneus, la pression et les freins.

Avant de modifier un quelconque réglage, il est important de lire le paragraphe correspondant du présent manuel d'utilisation.

Des nids de poule ou un sol irrégulier peuvent faire basculer le fauteuil roulant lors de la montée ou de la descente des pentes. Si une marche ou une pente est abordée de face, le corps doit être incliné vers l'avant.

DANGER !

- Ne dépassez JAMAIS la charge maximale de 125 kg combinée entre l'utilisateur et tout autre accessoire éventuellement embarqué. Toute charge supérieure pourrait endommager le fauteuil ou vous faire basculer, perdre le contrôle et entraîner de graves blessures pour vous et toute autre personne.
- Dans la pénombre, portez des vêtements clairs ou réfléchissants de sorte à être vu par les autres usagers de la route. Veillez à ce que les réflecteurs latéraux et arrière du fauteuil restent bien visibles.
- Il est également recommandé d'installer une lumière.
- Pour éviter les chutes et situations dangereuses, il est recommandé de vous entraîner et de vous familiariser avec votre nouveau fauteuil sur une surface plane offrant une bonne visibilité.
- Pour monter et descendre du fauteuil, ne prenez pas appui sur les palettes du repose-pied.
- Il convient au contraire de les rabattre et de les pivoter vers l'extérieur le plus possible. Placez-vous toujours le plus près possible de l'endroit où vous voulez accéder.
- Utilisez toujours votre fauteuil avec prudence. Evitez par exemple de franchir des obstacles sans avoir préalablement ralenti (marche, bord de trottoir).



DANGER !

- Les freins d'immobilisation ne sont pas prévus pour ralentir et arrêter un fauteuil en déplacement. Ils sont prévus pour empêcher votre fauteuil à l'arrêt de se déplacer involontairement. Lorsque vous vous arrêtez sur un terrain accidenté, engagez impérativement vos freins d'immobilisation afin d'éviter tout mouvement accidentel du fauteuil. Pensez toujours à actionner les deux freins simultanément, autrement votre fauteuil pourrait basculer.
- Changer le centre de gravité peut avoir un impact sur le comportement du fauteuil dont vous devez être conscient. Il est recommandé de vous entraîner, par exemple en pente ou lors du franchissement d'obstacles. Familiarisez-vous avec les différents comportements en présence d'un accompagnateur.
- Avec des réglages extrêmes (comme les roues arrière en position la plus avancée possible) et une posture inadéquate, le fauteuil risque de basculer, même sur une surface plane.
- Lorsque vous franchissez des côtes et des marches, penchez votre corps plus en avant.
- Lorsque vous descendez des côtes et des marches, penchez votre corps plus en arrière. Ne tentez jamais de monter ou de descendre une pente en diagonal.
- Evitez d'utiliser les escalators. En cas de chute, vous pourriez vous blesser gravement.
- N'utilisez pas le fauteuil sur des pentes de plus de 10° d'inclinaison. Le degré d'inclinaison maximum des pentes dépend de la configuration du fauteuil, des capacités de l'utilisateur et du style de conduite. Les capacités de l'utilisateur et son style de conduite ne pouvant être prédéfinis, le degré d'inclinaison maximum des pentes ne peut être déterminé. Il revient donc à l'utilisateur, assisté de son accompagnateur, de déterminer l'inclinaison maximale afin d'éviter tout risque de basculement. Il est vivement recommandé d'installer des roulettes anti-basculer pour les utilisateurs inexpérimentés.
- Des nids de poule ou un sol irrégulier peuvent faire basculer le fauteuil roulant lors de la montée ou de la descente des pentes.
- N'utilisez pas le fauteuil sur des terrains boueux ou verglacés.
- N'utilisez pas le fauteuil dans des zones interdites aux piétons.
- Pour éviter de vous blesser aux mains, ne placez pas vos doigts entre les rayons ou entre la roue arrière et le frein de la roue lorsque le fauteuil est en déplacement.
- Si vous utilisez une main courante métallique et freinez dans une longue pente ou pour réduire votre allure, le frottement peut chauffer la main courante et vous brûler les doigts.
- Ne montez et descendez les escaliers que si vous êtes accompagné. Des équipements à cet effet sont à votre disposition, comme les rampes d'accès et les ascenseurs. Utilisez-les. En l'absence de tels équipements, deux personnes sont nécessaires pour faire basculer le fauteuil et lui faire franchir les marches une à une en le poussant, et non pas en le soulevant. Cette technique n'est pas recommandée pour les utilisateurs de plus de 100 kg. En général, en présence de roulettes anti-basculer, il convient de les régler de sorte qu'elles ne puissent heurter les marches, car cela pourrait entraîner une grave chute. Remplacez ensuite les roulettes anti-basculer à leur position normale.
- L'accompagnateur doit toujours tenir le fauteuil par les parties fixes et non pas par les parties amovibles (comme les repose-pieds ou les protège-vêtement).
- Lors de l'utilisation d'une rampe d'accès, pensez à positionner les roulettes anti-basculer (le cas échéant) en dehors de la zone à risque.
- Immobilisez toujours votre fauteuil à l'aide des freins lorsqu'il se trouve sur les surfaces accidentées ou lorsque vous montez dessus ou en descendez.
- Dans la mesure du possible, au cours d'un déplacement à bord d'un véhicule pour personnes handicapées, il est conseillé aux occupants de s'asseoir sur les sièges et d'utiliser le système de retenue approprié. C'est le seul moyen d'assurer une protection optimale aux occupants en cas d'accident.

⚠ DANGER !

- Selon le diamètre et le réglage des roues avant, ainsi que le centre de gravité du fauteuil, les roues avant peuvent se mettre à vibrer à mesure que la vitesse du fauteuil augmente. Les roues avant risquent alors de se bloquer et le fauteuil de basculer. Il est donc essentiel de régler correctement les roues avant (voir le chapitre "Roues avant").
- Ne descendez pas une pente sans frein et déplacez-vous lentement. Il est recommandé aux utilisateurs inexpérimentés d'utiliser des roulettes anti-basculer.
- Les roulettes anti-basculer empêchent le fauteuil de basculer accidentellement vers l'arrière. En aucun cas, elles ne doivent remplacer les roulettes de transit et servir au transport d'une personne dans un fauteuil dont les roues arrière auraient été retirées.
- Si vous souhaitez atteindre un objet (placé devant, derrière ou latéralement par rapport au fauteuil), évitez de trop vous pencher afin de ne pas modifier le centre de gravité et risquer de faire basculer le fauteuil. La présence d'une charge supplémentaire (sac à dos ou objets similaires) sur les montants arrière du dossier peut avoir un impact sur la stabilité de votre fauteuil (surtout si le dossier est incliné en arrière) et peut faire basculer le fauteuil en arrière et entraîner des blessures.
- Pour les personnes amputées d'un ou des membres inférieurs, il est impératif d'utiliser les roulettes anti-basculer.
- Avant d'utiliser votre fauteuil, vérifiez la pression des pneus. Pour les roues arrière, la pression doit être au moins de 3,5 bars (350 kPa). La pression maximale est indiquée sur la jante des pneus. Le frein à manette à hauteur du genou ne fonctionne que si la pression des pneus est suffisante et si le réglage est correct (voir le chapitre sur les "Freins").
- Si les toiles du dossier et du siège sont abîmées, remplacez-les immédiatement.
- Soyez très vigilants avec les risques d'incendie, surtout si une cigarette est allumée. Les toiles du dossier et du siège peuvent prendre feu.
- Si le fauteuil est exposé au soleil / à une température très basse pendant une période prolongée, certaines parties du fauteuil (par ex. le châssis, les repose-jambes, les freins et les protège-vêtement) peuvent chauffer (>41°C) / devenir très froides (<0°).
- Le cas échéant, vérifiez que les axes à déverrouillage rapide des roues arrière sont bien réglés et enclenchés (les roulements à bille verrouillés ressortent complètement du manchon d'essieu). Si le bouton de l'axe à déverrouillage rapide n'est pas enfoncé, vous ne pouvez pas enlever la roue arrière.

⚠ ATTENTION !

- L'efficacité du frein à manette au genou et des caractéristiques de conduite générales dépend de la pression des pneus. Le fauteuil sera considérablement plus léger et plus facile à manœuvrer si les pneus des roues arrière sont correctement gonflés et ont la même pression.
- Vérifiez la sculpture des pneus.
- N'oubliez pas que lorsque vous vous déplacez au milieu de la circulation, vous devez respecter toutes les réglementations relatives au code de la route.
- Manipulez et ajustez toujours le fauteuil avec prudence.
- Les réglages du fauteuil nécessitant l'utilisation d'outils doivent être effectués par les revendeurs agréés.
- Nettoyez régulièrement votre fauteuil pour éviter l'apparition de rouille et la corrosion par le sel.
- Inspectez les rivets, écrous et boulons afin de vérifier qu'ils sont bien serrés et qu'aucune pièce du fauteuil ne se desserrera.
- Comme avec toutes les pièces amovibles, toute intervention présente le risque de se coincer les doigts. Manipulez le fauteuil avec précaution.
- Il est possible que les produits illustrés et décrits dans le présent manuel ne soient pas complètement identiques au modèle que vous avez acheté. Toutefois, toutes les instructions fournies dans le présent manuel sont valables pour votre matériel, malgré les éventuelles différences minimales.
- Le fabricant se réserve le droit de modifier sans préavis les poids, mesures et autres données techniques indiquées dans le présent manuel. Tous les chiffres, dimensions et capacités indiqués dans ce manuel sont approximatifs et ne constituent pas des caractéristiques.

⚠ DANGER !

RISQUE D'ÉTOUFFEMENT – Ce fauteuil est composé de petites pièces qui, dans certaines conditions, peuvent présenter un risque d'étouffement pour les jeunes enfants.

DURÉE DE VIE

La durée de vie anticipée de ce produit est de 5 années, dans la mesure où :

Il est utilisé conformément à l'usage pour lequel il est prévu
Tous les impératifs d'entretien et de maintenance sont respectés.

Garantie

Garantie

CECI NE PORTE PAS ATTEINTE À VOS DROITS LÉGAUX. CONDITIONS DE GARANTIE

1) Tout travail de réparation ou de remplacement devra être effectué par un revendeur/technicien de service après-vente agréé Sunrise Medical.

2) En cas de problème avec votre produit, vous devez, pour faire jouer la garantie en vertu de ce contrat, signaler immédiatement toute anomalie au service après-vente Sunrise Medical désigné, en précisant la nature du problème. Si vous vous trouvez dans une localité autre que celle du service après-vente Sunrise Medical désigné, le travail pourra, en vertu des conditions de garantie, être effectué par un autre service après-vente désigné par le fabricant.

3) Si une pièce quelconque de votre fauteuil roulant devait être réparée ou remplacée en raison d'un vice de fabrication ou de matériau dans les 24 mois (5 ans pour le châssis et le croisillon) suivant la date à laquelle la propriété du produit a été transférée à l'acheteur original et à condition que ce dernier en ait conservé la propriété, la ou les pièce(s) sera/seront réparée(s) ou remplacée(s) gratuitement si le fauteuil est renvoyé au service après-vente agréé.

Remarque : La garantie n'est pas transférable.

4) Toute pièce réparée ou remplacée bénéficiera de la garantie pour le reste de la période de garantie applicable au fauteuil roulant.

5) Les pièces changées après la période de garantie seront couvertes pour une période supplémentaire de 12 mois.

6) Les composants consommables n'entrent généralement pas dans le cadre de la garantie, à moins que les pièces aient manifestement subi une usure exagérée résultant directement d'un vice de fabrication. Il s'agit, en autres, des garnitures, des pneus, des chambres à air et autres pièces similaires.

7) Les conditions de garantie susmentionnées s'appliquent à toutes les pièces des produits, pour les modèles achetés à plein tarif.

8) Dans des conditions normales, la garantie ne saurait être appliquée si le produit nécessite une réparation ou un remplacement pour l'une des raisons suivantes :

- a) Le produit, ou l'une de ses pièces, n'a pas été entretenu conformément aux recommandations du fabricant, telles qu'énoncées dans le Manuel de l'utilisateur et/ou le Manuel technique. Des pièces autres que celles spécifiées pour ce matériel ont été utilisées.
- b) Le produit, ou l'une de ses pièces, a été endommagé suite à une négligence, un accident ou une utilisation inadéquate.
- c) Le produit, ou l'une de ses pièces, a été transformé ou une réparation a été entreprise avant d'en avoir notifié le service après-vente.
- d) Le produit présente des signes de corrosion résultant d'une maintenance inappropriée.

Transportabilité

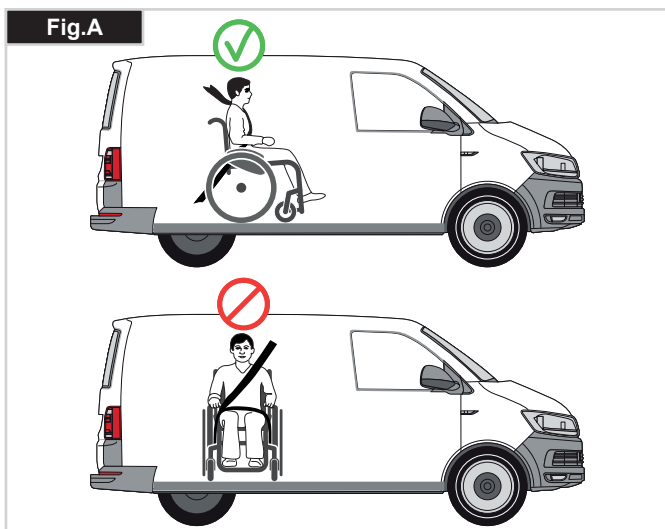
DANGER !

Il y a risque de blessures sérieuses ou de mort si ce conseil n'est pas respecté.

TRANSPORT DE VOTRE FAUTEUIL ROULANT DANS UN VÉHICULE :

Un fauteuil roulant arrimé dans un véhicule n'assurera pas le même niveau de sécurité que les sièges du véhicule. Il est toujours recommandé que l'utilisateur soit transféré au siège du véhicule. Sunrise Medical reconnaît qu'il n'est pas toujours facile de transférer l'utilisateur et dans une telle situation où l'utilisateur doit être transporté tout en étant dans son fauteuil roulant, il convient de suivre les recommandations suivantes :

1. Faites vous confirmer que le véhicule est correctement équipé pour transporter un passager dans un fauteuil roulant, et assurez-vous que la méthode d'accès/de sortie est convenable pour votre type de fauteuil roulant. Le sol du véhicule doit être suffisamment résistant pour supporter le poids de l'utilisateur avec celui du fauteuil roulant et de ses accessoires.
2. Suffisamment d'espace doit être disponible autour du fauteuil afin d'avoir un accès facile pour attacher, serrer et détacher le fauteuil roulant et le dispositif de retenue de l'occupant et les ceintures de sécurité.
3. Le fauteuil doit être placé dans le sens de la marche et être ancré par les points d'arrimage et le système de retenue et de fixation (conforme à la norme ISO 10542 ou SAE J2249) conformément aux instructions du fabricant du système de retenue.
4. L'utilisation du fauteuil à bord d'un véhicule motorisé dans une position autre que celle préconisée n'a pas fait l'objet de tests, ainsi le positionnement latéral du fauteuil ne doit être envisagé en aucun cas (Fig. A).
5. Le fauteuil doit être sécurisé par un système d'arrimage conforme à ISO 10542 ou SAE J2249 avec sangles avant non réglables et sangles arrière réglables, qui utilise typiquement des mousquetons/crochet en S et des boucles à arpillons. Ces dispositifs de retenue comprennent généralement 4 sangles individuelles qui sont attachées de chaque côté du fauteuil roulant.
6. Ce système d'arrimage doit être fixé au châssis principal du fauteuil roulant comme indiqué dans le schéma sur la page suivante, et non pas à tous les points d'attache ou accessoires, ex. pas autour des rayons des roues, freins ou repose-pied.



7. Le système de fixation doit être attaché le plus possible à un angle de 45° et tendu conformément aux indications du fabricant.

8. Ne modifiez et ne remplacez pas les points d'ancrage du fauteuil, ni les composants structurels sans avoir préalablement demandé l'avis du fabricant, à défaut de quoi le fauteuil Sunrise Medical ne sera pas conforme pour le transport à bord d'un véhicule motorisé.

9. Les deux ceintures de retenue au niveau du bassin et du torse supérieur doivent être utilisées pour retenir le passager afin de réduire la possibilité de choc de la tête ou du torse avec les composants du véhicule et de risques graves de blessures à l'utilisateur et tout autre occupant du véhicule. (Fig. B) La ceinture de retenue du torse supérieur doit être montée au pilier "B" du véhicule - ne pas respecter ceci augmente le risque de blessures abdominales graves à l'utilisateur.

10. Un soutien de tête adéquate pour le transport (voir étiquette de l'appui-tête) doit être installé et doit être dans la position souhaitée à tout moment pendant le transport.

11. Les systèmes de maintien posturaux (sangles sous-abdominales, ceintures sous-abdominales) ne doivent pas servir de système de retenue dans un véhicule en déplacement, à moins qu'ils ne soient conformes à la norme ISO 7176-19 ou SAE J2249, ce qui doit être spécifiquement indiqué sur l'étiquette.

12. La sécurité de l'utilisateur pendant son transport dépend de la vigilance de la personne sécurisant le système d'arrimage et cette personne devrait avoir reçu des instructions appropriées et/ou une formation sur leur utilisation.

13. Dans la mesure du possible, retirez du fauteuil et rangez tous les accessoires et équipements auxiliaires, comme par exemple : Les cannes, les coussins amovibles et les tablettes.

14. Vous ne devez pas utiliser les repose-jambe articulés/élevateurs en position élevée quand le fauteuil roulant et l'utilisateur sont transportés et quand le fauteuil roulant est retenu par des dispositifs de retenue pour le transport de fauteuils roulants et de son passager.

15. Les dossiers inclinables doivent être remis en position verticale.

16. Les freins manuels du fauteuil doivent impérativement être enclenchés.

17. Les dispositifs de retenue doivent être montés au pilier "B" du véhicule et ne doivent pas être retenus par des composants du fauteuil roulant tel les accoudoirs ou les roues.



Transportabilité >>>

INSTRUCTIONS POUR LE SYSTÈME DE RETENUE DE L'OCCUPANT :

1. La ceinture de retenue du bassin doit être fixée en position basse à travers le bassin de façon à ce que l'angle de la ceinture du bassin soit dans la zone de préférence entre 30 et 75 degrés par rapport à l'horizontal.

Un plus grand angle au sein de la zone de préférence est recommandé c'est-à-dire plus proche de 75°, mais sans jamais dépasser cette limite. (Fig. C)

2. La ceinture thoracique doit passer par-dessus l'épaule et en travers de la poitrine, comme illustré aux Fig. D et E
Les ceintures de retenue doivent être serrées le plus possible, tout en respectant le confort de l'utilisateur.

La sangle de la ceinture de sécurité ne doit pas être entortillée pendant son utilisation.

La ceinture thoracique doit passer par-dessus l'épaule et en travers de l'épaule, comme illustré aux Fig. D et E.

3. Les points de retenue au fauteuil sont le côté interne avant du châssis juste au-dessus de la roue avant et l'arrière du châssis. Les sangles sont fixées autour des flancs de châssis, à l'intersection des tubes de châssis horizontaux et verticaux. (Voir Fig. G - K)

4. Le symbole d'arrimage (Fig. F) sur le châssis du fauteuil roulant indique la position des sangles de retenue du fauteuil roulant. Les sangles sont ensuite tendues après que les sangles avant ont été fixées pour sécuriser le fauteuil roulant.

POIDS DE L'UTILISATEUR INFÉRIEUR 22 kg

Si l'utilisateur devant être transporté est un enfant pesant moins de 22 kg et si le véhicule utilisé compte moins de huit (8) passagers assis, il est recommandé d'utiliser un dispositif de retenue pour enfants conforme au règlement 44 de la CEE-ONU.

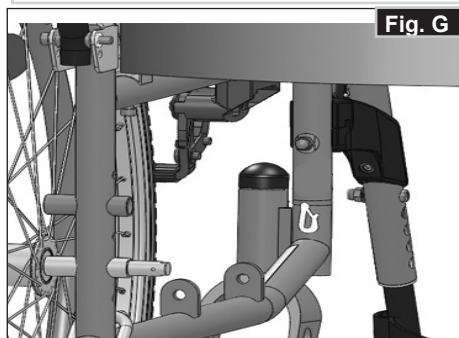
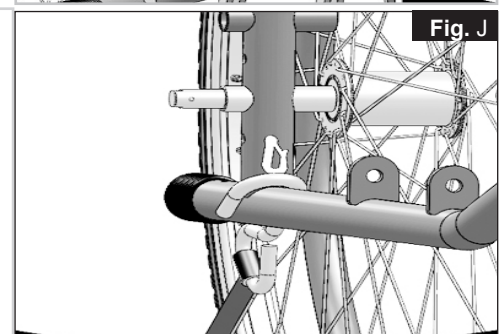
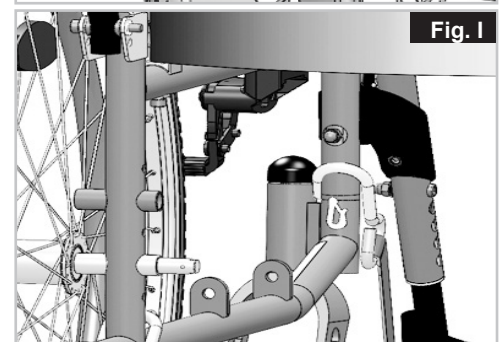
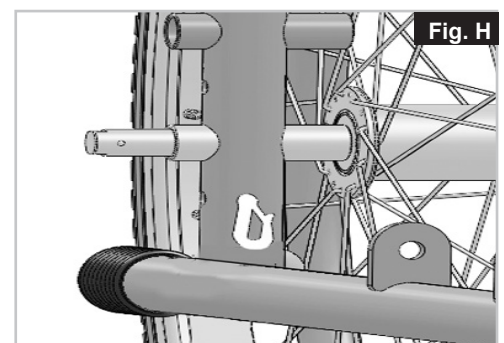
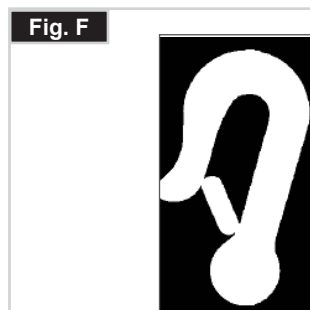
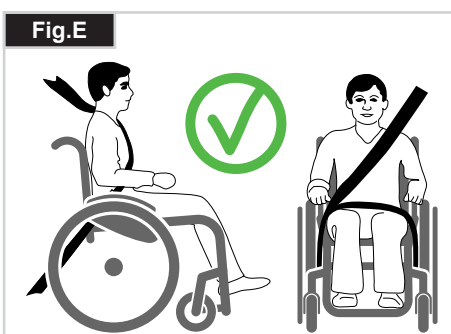
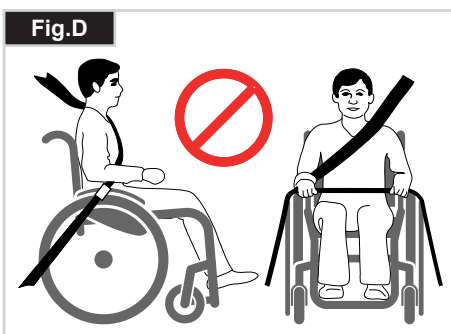
Ce type de dispositif de retenue est un moyen de retenue plus efficace que les dispositifs à trois points, et certains dispositifs de retenue pour enfants assurent également un support postural supplémentaire afin de maintenir la position de l'enfant lorsqu'il est assis.

Les parents ou toute autre personne s'occupant de l'enfant peut, selon le cas, décider de laisser l'enfant dans son fauteuil roulant pendant le transport en raison du niveau de contrôle de la posture ou du niveau de confort assuré par les réglages du fauteuil.

Dans ce cas, nous vous invitons à procéder à une évaluation des risques par le professionnel de santé qui vous suit ou par toute personne compétente dans ce domaine.

Positionnement du dispositif d'arrimage sur le fauteuil roulant

1. Emplacement des étiquettes d'arrimage à l'avant et à l'arrière (Fig. G - H).
2. Emplacement du système d'arrimage et de l'étiquette d'arrimage à l'avant (Fig. I) et à l'arrière (Fig. J).
3. Vue latérale des sangles d'arrimage (Fig. K).



Manipulation

PLIAGE DU FAUTEUIL

Enlevez le coussin de siège du fauteuil et rabattez le ou les repose-pieds (selon s'il s'agit d'une palette monobloc ou de deux palettes individuelles). Attrapez la toile du siège ou les tubes de support du siège en plaçant vos doigts au centre et tirez vers le haut. Le fauteuil se plie alors. Pour gagner un maximum de place, afin par exemple de ranger le fauteuil dans le coffre de la voiture, vous pouvez enlever les repose-pieds (selon modèle). Ouvrez le verrou et rabattez le repose-pieds latéralement. Il suffit ensuite de sortir le repose-pieds de son tube de logement (Fig. 1).

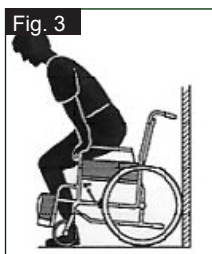


DÉPLIAGE DU FAUTEUIL

Appuyez sur les tubes de siège (voir figure). Le fauteuil roulant se déplie. Maintenant, pressez les tubes du siège dans les supports. Cette opération s'effectue plus facilement quand on bascule légèrement le fauteuil. La roue arrière est libérée et le fauteuil se déplie plus facilement. **Faites attention de ne pas vous coincer les doigts dans les tubes de traverse.** Remplacez le coussin du siège (Fig. 2).

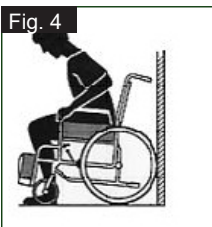
VOUS ASSEoir DANS VOTRE FAUTEUIL PAR VOUS-MÊME (FIG. 3)

- Placez le fauteuil contre le mur ou contre un meuble relativement lourd ;
- Enclenchez les freins ;
- Remontez les palettes ;
- Abaissez-vous lentement jusqu'à ce que vous soyez assis dans votre fauteuil ;
- Rabaissez les palettes et placez vos pieds dessus, avec la sangle talonnière derrière.



DESCENDRE DE VOTRE FAUTEUIL PAR VOUS-MÊME (FIG. 4)

- Enclenchez les freins ;
- Remontez les palettes ;
- Posez une main sur chaque accoudoir, penchez-vous légèrement vers l'avant de sorte à basculer le poids de votre corps vers l'avant du fauteuil, posez fermement les deux pieds au sol, l'un derrière l'autre, redressez-vous en poussant sur vos bras.



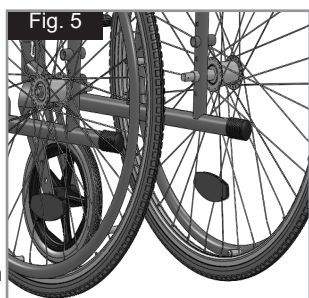
AVERTISSEMENT !

Ne vous tenez jamais debout sur les palettes car cela aurait pour effet de faire basculer le fauteuil. Il est plus facile et moins risqué de relever les palettes ou de les retirer complètement lorsque vous montez et descendez de votre fauteuil.

Options - Leviers de basculement

LEVIERS DE BASCULEMENT (FIG. 5)

Les tubes d'appui permettent aux accompagnateurs d'incliner le fauteuil pour franchir un obstacle. Placez votre pied sur le tube d'appui pour faire franchir au fauteuil un trottoir ou une marche, par exemple.



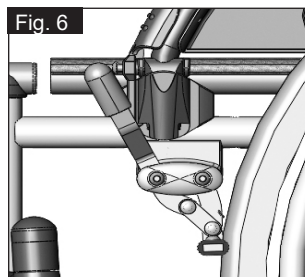
REMARQUE : Sunrise Medical recommande vivement l'installation d'un levier arrière de basculement sur les fauteuils où l'accompagnateur sera l'utilisateur principal. En l'absence de levier arrière de basculement, l'utilisation répétée du dossier et la force exercée dessus pour incliner le fauteuil aura pour effet d'endommager les montants du dossier, pour franchir les obstacles.

Options - Freins

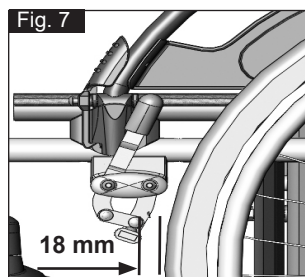
FREINS

Le fauteuil est équipé de deux freins d'immobilisation. Les freins agissent directement sur les pneus. Pour immobiliser votre fauteuil, serrez les deux leviers de freinage jusqu'à la butée avant. Tirez le levier de freinage en arrière pour le relâcher.

- L'effet de freinage diminue quand :
- Les sculptures du pneu sont usées
- La pression des pneus est insuffisante
- Les pneus sont humides
- Le frein est mal réglé.



Les freins d'immobilisation ne sont pas destinés à être utilisés comme des freins de service. N'actionnez pas les freins en marche. Freinez toujours à l'aide des mains courantes. Veillez à ce que l'écartement entre le frein et le pneu soit conforme à la valeur indiquée. Pour régler, dévissez la vis et réglez le bon intervalle. Resserrez de nouveau la vis (Fig. 6 et 7).



ATTENTION !

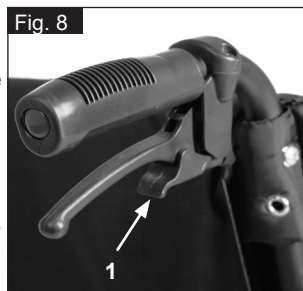
- Après avoir procédé au réglage des roues arrière, vérifiez toujours l'intervalle avec les freins d'immobilisation. Réajustez si nécessaire.

ATTENTION !

- Plus les freins seront montés près de la roue, plus l'effort à fournir pour les actionner sera grand. Cela pourrait casser le levier de frein !
- Veillez à ne pas prendre appui sur le levier lorsque vous montez ou descendez du fauteuil, car vous risqueriez de le casser ! Veillez à ne pas prendre appui sur la rallonge du levier lorsque vous montez ou descendez du fauteuil, car vous risqueriez de le casser !

FREINS À TAMBOUR

Les freins tambour permettent à l'accompagnateur de freiner en toute sécurité et de manière aisée. Ils peuvent être également montés avec un levier de verrouillage (1) pour éviter qu'ils ne se desserrent accidentellement. Vous devez entendre le clic du levier de blocage lors de son enclenchement.

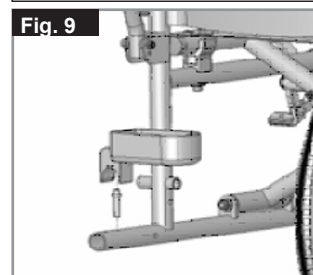


Le gonflage des pneus n'a aucune incidence sur les freins tambour (Fig. 8).

AVERTISSEMENT !

- Ne confiez le réglage du frein tambour qu'à un revendeur.
- Actionnez toujours les 2 freins simultanément pour garantir une direction de conduite contrôlée.
- Les freins tambour sont un moyen de freinage dynamique destiné exclusivement à immobiliser le fauteuil roulant durant son déplacement.
- Enclenchez toujours les freins d'immobilisation pour les arrêts de courte ou longue durée et lorsque vous montez ou descendez du fauteuil.

Options - Porte-canne



Options - Palettes

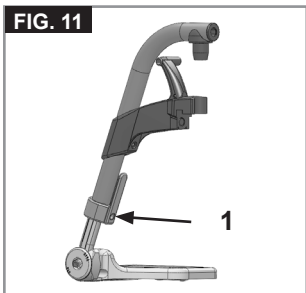
PALETTES :

Les repose-pieds peuvent être rabattus pour monter et descendre plus facilement du fauteuil.

Chaque pièce pèse 1,0 kg

LONGUEUR DE LA JAMBE INFÉRIEURE :

Pour les utilisateurs de grande taille, la palette peut être abaissée à la position désirée à l'aide des vis (1). Il suffit pour cela de dévisser les vis, de placer les tubes à la position désirée, puis de resserrer les vis (voir la section sur les couples de serrage). Il doit également y avoir un minimum de 5 cm entre le repose-pied et vos talons, (Fig. 11).



REPOSE-PIEDS ET LOQUET

Le repose-jambes est rabattable sous le siège ou vers l'extérieur. Lors du montage du repose-jambes, le repose-pieds doit être orienté vers l'intérieur ou l'extérieur. Faites-le ensuite pivoter vers l'intérieur jusqu'à ce qu'il s'enclenche. Pour retirer le repose-jambes, tirez sur le levier (1), faites pivoter les repose-pieds vers l'intérieur ou l'extérieur et retirez-le en soulevant. Assurez-vous que le repose-jambe est bien enclenché (Fig. 12).



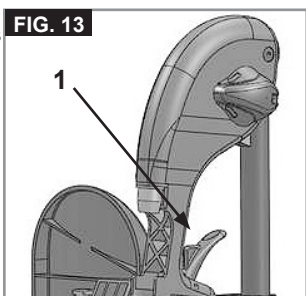
ATTENTION !

- Ne jamais soulever ou porter le fauteuil en l'attrapant par le repose-jambes.
- Pour monter et descendre du fauteuil, ne prenez pas appui sur les palettes du repose-pied. Il convient au contraire de les relever préalablement ou de basculer le repose-pied vers l'extérieur le plus possible.

REPOSE-JAMBES (EN OPTION)

(Fig. 13-15)

Pour retirer le repose-jambes, tirez sur le levier (1), faites pivoter la palette vers l'extérieur, puis soulevez et retirez le repose-jambe.



RÉGLAGE DE LA HAUTEUR :

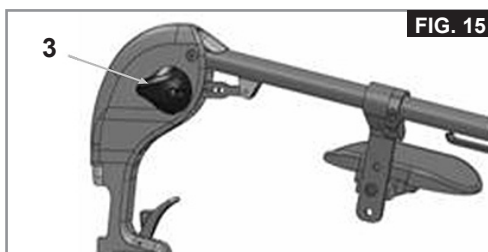
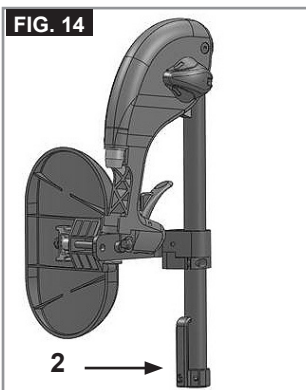
La longueur de la jambe inférieure peut se régler en desserrant la vis (2). Réglez à la hauteur désirée, puis resserrer la vis.

ATTENTION !

La distance entre la palette et le sol doit être d'au moins 40 mm.

RÉGLAGE DE L'INCLINAISON :

Enfoncez d'une main le levier (3) vers le bas tandis que vous soutenez le repose-jambes avec l'autre main. Une fois l'angle d'inclinaison souhaité obtenu, relâchez le levier. Le repose-jambes s'enclenche alors dans l'une des positions prédéfinies.



RÉGLAGE DE L'APPUI-MOLLET

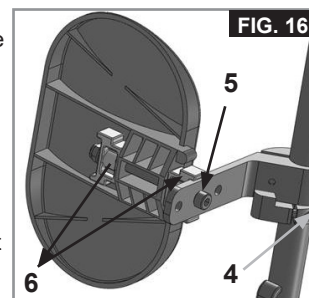
(Fig. 16).

Vous pouvez régler l'appui-mollet de la façon suivante :

Hauteur : dévissez le boulon (4) et déplacez la patte de serrage à la position désirée. En pivotant la patte de serrage, vous pouvez également régler l'angle d'inclinaison.

Profondeur : Ouvrez le boulon (5) et déplacez l'appui-mollet à la position désirée.

Largeur : Ouvrez le boulon (5) et placez les entretoises (6) derrière l'appui-mollet de sorte à obtenir la position désirée.



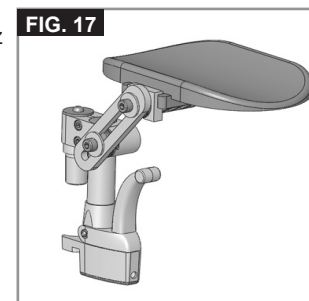
AVERTISSEMENT !

- Pendant que vous relevez ou abaissez les repose-pieds, veillez à ne pas vous prendre les doigts dans le mécanisme de réglage situé entre le châssis et les pièces mobiles du repose-pieds.
- Vérifiez que les fixations sont toujours bien serrées.
- Ne soulevez ou portez jamais le fauteuil en l'attrapant par les repose-pieds.
- Faites attention de ne pas vous pincer les doigts. Ne mettez pas vos doigts dans le mécanisme de réglage, entre les pièces amovibles des repose-pieds lorsque vous levez ou abaissez ce dernier.

SUPPORT POUR PERSONNE AMPUTÉE

(Fig. 17).

Le support pour personne amputée se règle dans toutes les directions, selon les besoins.



Options - Roues avant

ROUES AVANT, ADAPTATEUR DE ROUE AVANT, FOURCHE DE ROUE AVANT

Le fauteuil peut tirer légèrement à droite ou à gauche ou les roues avant peuvent avoir du jeu. Cela peut être dû aux raisons suivantes :

- Le mouvement avant et arrière des roues n'est pas correctement réglé.
- Mauvais réglage de l'angle des roues avant.
- Gonflage insuffisant des roues avant et/ou des roues arrière. Le roulement des roues en est gêné.

Le fauteuil ne pourra avancer droit si les roues avant sont mal réglées. Les réglages des roues avant doivent toujours être confiés à un revendeur agréé. En cas de modification de la position de la roue arrière, les réglages du frein doivent être contrôlés.

La hauteur du siège est déterminée par la position des roues avant et des roues arrière. Vous pouvez régler la hauteur du siège en modifiant la position des roues arrière et des roues avant.

ATTENTION !

Après avoir réglé la hauteur du siège, vérifiez d'avoir bien revissé toutes les vis et d'avoir ajusté les freins d'immobilisation. Les roues avant doivent être réglées à 90SDgr

Options - Protège-vêtement

UNE PROTECTION LATÉRALE STANDARD, RABATTABLE, AVEC DES ACCOUDOIRS COURTS OU LONGS

Le protège-vêtement à bords arrondis permet de plus vous approcher d'une table.

Pour relever l'accoudoir, enfoncez le levier (1) de manière à libérer le protège-vêtement (Fig. 18).

Vous pouvez régler la longueur de l'accoudoir en dévissant les vis (2), puis en déplaçant l'accoudoir à la position désirée. Revissez les vis (Fig. 19).



⚠ AVERTISSEMENT !

Ne jamais soulever le fauteuil par les accoudoirs ou le protège-vêtement.

PROTECTION LATÉRALE, RABATTABLE, AMOVIBLE ET AVEC ACCOUDOIRS COURTS OU LONGS, À HAUTEUR RÉGLABLE

Vous pouvez régler la hauteur de l'accoudoir de la façon suivante. Enfoncez le levier vers le bas et placez l'accoudoir à la hauteur désirée (3).

Relâchez le levier et appuyez sur l'accoudoir jusqu'à ce qu'il s'enclenche. Vérifiez que l'accoudoir est bien enclenché.

Pour relever l'accoudoir, enfoncez le levier (1) de manière à libérer le protège-vêtement.

Vous pouvez régler la longueur de l'accoudoir. Pour cela, dévissez les vis (2), placez l'accoudoir à la position désirée, puis resserrez les vis (Fig. 20).



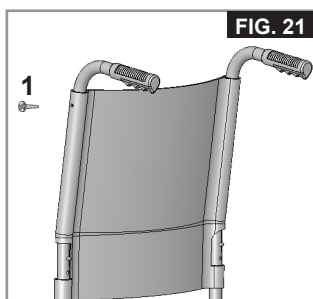
⚠ AVERTISSEMENT !

Ne jamais soulever le fauteuil par les accoudoirs ou les protections latérales.

Options - Dossier

DOSSIER À HAUTEUR RÉGLABLE

Vous pouvez régler la hauteur du dossier à 2 positions différentes (41 cm et 42,5 cm). Dévissez et retirez les boulons (1), et poussez la sangle du dossier à la position désirée. Revissez les boulons (Fig. 21).



Options - Tablette thérapeutique

TABLETTE THÉRAPEUTIQUE

La tablette consiste en une surface plane adaptée à la plupart des activités. La tablette doit être adaptée une fois pour toute à la largeur du siège par votre spécialiste. L'utilisateur doit être assis dans le fauteuil pendant cette opération (Fig. 22).



Options - Roulettes anti-bascule

ROULETTES ANTI-BASCULE

Les roulettes anti-bascule assurent aux utilisateurs inexpérimentés une sécurité renforcée pendant l'apprentissage de leur fauteuil. Ils empêchent le fauteuil de basculer vers l'arrière.



En appuyant sur le bouton du démontage rapide (1), les roues de secours peuvent être remontées ou enlevées. Il doit également y avoir un écart minimum de 3 cm à 5 cm entre le sol et la roulette.

Vous devez faire pivoter les roulettes anti-bascule vers le haut lorsque vous franchissez des obstacles (comme le trottoir) afin d'éviter qu'elles ne touchent le sol. Abaissez-les ensuite en position normale une fois l'obstacle franchi (Fig. 23).

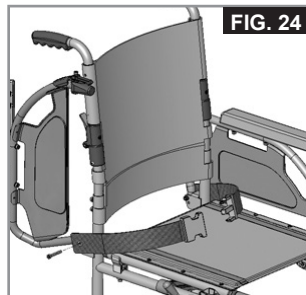
⚠ AVERTISSEMENT !

Un mauvais réglage des roulettes anti-bascule augmente le risque pour le fauteuil de basculer en arrière.

Options - Ceinture sous-abdominale

⚠ AVERTISSEMENT !

Avant d'utiliser votre fauteuil roulant, assurez-vous que la ceinture de sécurité soit mise et réglée correctement avant utilisation.



La ceinture sous-abdominale est fixée sur le fauteuil comme représenté dans l'illustration. La ceinture de sécurité se comprend de 2 moitiés. Elles sont installées en utilisant le boulon de maintien existant de l'accoudoir fixé à travers l'œillet de la ceinture.

La ceinture est passée sous l'arrière du panneau latéral. Ajustez la position de la ceinture afin que les attaches soient au centre du siège. (Fig. 24-25)



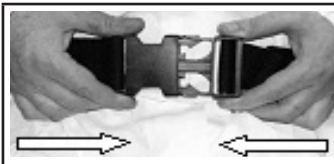
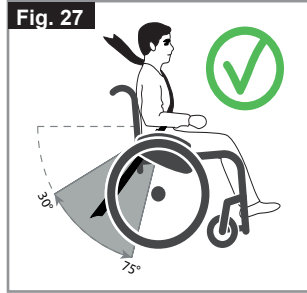
Ajustez la ceinture sous-abdominale afin de convenir aux besoins de l'utilisateur comme ci-après :

Pour augmenter la longueur de la ceinture	Pour réduire la longueur de la ceinture	✓
Passez la ceinture par les dispositifs de réglage coulissant et l'attache mâle afin d'obtenir plus de longueur de ceinture.	Passez la ceinture par l'attache mâle et le dispositif de réglage coulissant.	Assurez-vous que la ceinture n'a pas de nœud au niveau de l'attache mâle.

Options – Ceinture sous-abdominale

Une fois la ceinture attachée, vérifiez l'espace entre la ceinture sous-abdominale et l'utilisateur. Si la ceinture est correctement réglée, vous pouvez passer la main à plat entre la ceinture sous-abdominale et l'utilisateur. (Fig. 26)

En général, la ceinture sous-abdominale doit être fixée de façon à ce que les sangles soient à un angle d'environ 45°, et quand elle est correctement réglée, elle ne permet pas à l'utilisateur de glisser dans le siège. (Fig. 27)



Pour attacher la ceinture :
Poussez l'attache mâle de façon ferme dans l'attache femelle.

Pour retirer la ceinture :
Appuyez sur les parties exposées de l'attache mâle et poussez vers le centre OU poussez le bouton à pression de la boucle femelle tout tirant doucement pour les séparer.

CONSEIL À L'ATTENTION DU CLIENT

⚠ DANGER !

- N'utilisez pas seulement une ceinture sous-abdominale quand le fauteuil roulant et son utilisateur sont transportés dans un véhicule. Utilisez le dispositif de maintien sous abdominal et diagonal pour passagers fournis dans le véhicule.
- Avant utilisation, nous recommandons de vérifier que la ceinture sous-abdominale est correctement réglée, sans obstruction ou dans le mauvais sens et que la boucle s'enclenche correctement.
- Ne pas s'assurer que la ceinture sous-abdominale est attachée en toute sécurité ou bien réglée avant l'utilisation peut provoquer des blessures graves à l'utilisateur. Ex. une sangle trop lâche peut permettre à l'utilisateur de glisser dans le fauteuil et d'engendrer un risque d'étouffement.

ENTRETIEN :

Vérifiez régulièrement l'état de la ceinture et des composants de retenue afin de détecter l'apparition d'éventuels signes d'endommagement ou de déchirure. Remplacez la ceinture, si nécessaire. Nettoyez la ceinture sous-abdominale avec de l'eau chaude savonneuse et attendez qu'elle sèche.

⚠ DANGER !

La ceinture sous-abdominale doit être réglée de façon à s'adapter à l'utilisateur, comme détaillé ci-dessus. Sunrise Medical recommande également que la longueur et l'ajustement de la ceinture soient vérifiés régulièrement afin de réduire le risque de voir l'utilisateur final régler par inadvertance la ceinture à une longueur excessive.

Si vous avez des doutes au sujet de l'utilisation et de la manipulation de la ceinture demandez l'assistance de votre professionnel de la santé, de votre fournisseur du fauteuil roulant, de votre aide-soignant ou de votre tierce personne.

Plaque signalétique

PLAQUE SIGNALÉTIQUE

La plaque signalétique se trouve sur les tubes de traverse, ainsi que sur une étiquette dans le manuel d'utilisation. La plaque indique la dénomination exacte du modèle et fournit diverses informations techniques. Pour une commande de pièces de rechange ou une réclamation, indiquez SVP les informations suivantes:

ECHANTILLON

	Sunrise Medical GmbH Kahlbachring 2-4 D-69254 Malsch / Germany		XXXX-XX-XX
TYPE: Wheelchair, Rollstuhl, Fauteil Roulant, Silla de Ruedas		SN	XXXXXXXXXXXXXXXX
Unix2		ISO 7176-19:2008	
 XXX kg	 max X°	 XXX mm	 XXX mm

CH	REP	Sunrise Medical AG Erlenauweg 17 CH-3110 Münsingen Schweiz/Suisse/Svizzera
-----------	------------	---

TYPE:	Désignation du produit/Numéro de SKU.
 max X°	Pente maximale pouvant être abordée par le fauteuil équipé de roulettes anti-bascule. Dépend de la configuration du fauteuil, de la posture et des capacités physiques de l'utilisateur.
 XXX mm	Largeur du siège.
 XXX mm	Profondeur (maximale).
 XXX kg	Charge maximale
	Marquage UKCA.
	Marquage CE.
	Veuillez prendre connaissance des consignes d'utilisation
XXXX-XX-XX	Date de fabrication.
	Numéro de série.
	Ce symbole signifie dispositif médical.
	Coordonnée du fabricant
ISO 7176-19:2008	Fait l'objet d'essais de collision conformément à la norme ISO 7176-19:2008.
	Adresse de l'importateur
	Personne responsable au Royaume-Uni
	Adresse du représentant en Suisse

En raison de notre politique d'amélioration continue dans la conception de nos fauteuils roulants, les spécifications des produits peuvent légèrement différer des exemples illustrés dans le présent manuel. Toutes les valeurs relatives aux poids et aux dimensions et les données de performance sont approximatives et fournies à titre d'information uniquement.

Tous les fauteuils roulants doivent être utilisés conformément aux instructions du fabricant.

Sunrise Medical GmbH
Kahlbachring 2-4
69254 Malsch/Heidelberg
Deutschland
Tel.: +49 (0) 7253/980-0
Fax: +49 (0) 7253/980-222
kundenservice@sunrise-medical.de
www.SunriseMedical.de

Pneus et montage des pneus

PNEUS ET MONTAGE DES PNEUS

Le fauteuil est équipé de série de pneus à bandage.

Si votre fauteuil est équipé de pneus pneumatiques, veillez à ce que la pression de vos pneus soit toujours correcte car cela peut avoir une incidence sur la performance et le comportement du fauteuil. Quand la pression est insuffisante, il faut dépenser plus d'énergie car la résistance du fauteuil est très élevée. La maniabilité du fauteuil en est réduite. Le pneu peut éclater si la pression est trop élevée. La pression correcte est indiquée sur le bandage du pneu.

Les pneus se montent comme des pneus de vélo courants. Avant de remplacer la chambre à air, inspectez la jante et la paroi interne du pneu et enlevez tout éventuel corps étranger. Vérifiez la pression des pneus après le montage ou la réparation. Il est important pour votre propre sécurité et pour une bonne performance de votre fauteuil de vérifier la pression de l'air régulièrement et de maintenir les pneus en bon état.

Contrôles quotidiens



En tant qu'utilisateur, vous êtes le mieux placé pour remarquer toute éventuelle anomalie. Par conséquent, nous vous recommandons de contrôler les éléments suivants avant chaque utilisation :

- Vérifier la pression des pneus
 - Vérifier le bon fonctionnement des freins
 - Vérifier que les composants amovibles sont bien en place, par ex. accoudoir, repose-pieds, axe à déverrouillage rapide, etc.
 - Vérifier tout signe d'endommagement visible, par ex. sur le châssis, le dossier, la toile du siège, les roues, le repose-pieds, etc.
- En cas d'endommagement ou de dysfonctionnement, contactez votre revendeur agréé.

Dépannage

Le fauteuil tire sur le côté

- Vérifiez la pression des pneus (pneus pneumatiques uniquement)
- Vérifiez que la roue (roulement, axe) roule sans problèmes.
- Vérifiez que les roues avant sont bien réglées et que celles-ci entrent bien en contact avec le sol.
- Vérifiez que les roulements des roues avant tournent sans entrave

Les roues avant oscillent

- Vérifiez que les visseries sont fixes, resserrez-les le cas échéant (voir la page des couples de serrage)
- Vérifiez si les roues avant sont toutes les deux en contact avec le sol.

Le fauteuil grince et cliquette

- Vérifiez que les visseries sont fixes, resserrez-les le cas échéant (voir la page des couples de serrage)
- Appliquez de petites quantités de lubrifiant aux endroits sur les éléments mobiles entrent en contact les uns avec les autres.

Le fauteuil a du jeu

- Vérifiez l'angle des roues avant
- Vérifiez l'usure ou l'endommagement de tous les pneus.
- Vérifiez si les roues arrière sont ajustées ou fixées d'une manière inégale.

Maintenance et entretien

ENTRETIEN :

- Vérifiez la pression des pneus toutes les 4 semaines. Inspectez tous les pneus pour repérer tout éventuel signe d'usure ou d'endommagement.
- Vérifiez environ toutes les 4 semaines que les freins fonctionnent correctement et sont faciles à manier.
- Les pneus se montent comme des pneus de vélo courants.
- Toutes les jointures essentielles au fonctionnement sécurisé de votre fauteuil sont dotées d'écrous autofreinés. Veuillez vérifier tous les trois mois que les raccords vissés (voir la section des couples de serrage) sont solides. Les écrous de sécurité ne doivent être utilisés qu'une seule fois. Après une utilisation répétée, vous devez remplacer ces écrous.

- Quand votre fauteuil est sale, nettoyez-le uniquement avec un nettoyant ménager doux. Nettoyez la toile du siège et la ceinture sous-abdominale à l'eau et au savon uniquement.
- Si votre fauteuil est mouillé, séchez-le après utilisation pour éviter l'apparition de rouille et de corrosion par le sel.
- Tous les deux mois environ, appliquez une petite quantité d'huile pour machine à coudre sur les axes à libération rapide. Suivant l'utilisation que vous faites de votre fauteuil, nous vous recommandons de demander à votre revendeur d'effectuer un contrôle de votre fauteuil tous les 12 mois.



Le sable et l'eau de mer (les projections de sel en hiver) endommagent la suspension des roues avant et des roues arrière. Nettoyez bien le fauteuil s'il a été exposé à ces éléments.

Les pièces suivantes sont amovibles et peuvent être renvoyées au fabricant/revendeur pour être réparées : Roues arrière, accoudoirs, potences, roulettes anti-bascule. Ces composants sont disponibles en pièces détachées. Vous trouverez de plus amples informations dans le catalogue de pièces détachées.

MESURE D'HYGIÈNE EN CAS DE CESSIION DU FAUTEUIL :

Avant de laisser une autre personne utiliser le fauteuil, il convient de l'apprêter soigneusement. Toutes les surfaces entrant en contact avec le nouvel utilisateur doivent être désinfectées.

Pour ce faire, vous devez utiliser un désinfectant figurant dans la liste des produits homologués / recommandés dans votre pays, pour une désinfection rapide à base d'alcool pour produits et appareils médicaux nécessitant d'être désinfectés rapidement. Veuillez prendre connaissance des instructions du fabricant du produit désinfectant utilisé.

En règle générale, une désinfection totale ne peut être garantie sur les coutures. Par conséquent et conformément à la réglementation locale relative à la protection contre les infections, il est recommandé de mettre au rebut la toile de l'assise et du dossier afin d'éviter toute contamination micro-bactérienne par les agents actifs.

ENTREPOSAGE :

Entreposez toujours le fauteuil dans un endroit sec.

Mise au rebut / Recyclage des matériaux

REMARQUE : Si ce fauteuil vous a été remis gratuitement, il pourrait ne pas vous appartenir. Si vous n'en avez plus usage, respectez les consignes énoncées par l'organisme qui vous l'a fourni afin de le lui rendre.

Les informations suivantes décrivent les différents matériaux composant le fauteuil en vue de la mise au rebut ou du recyclage du fauteuil et de ses matériaux d'emballage. Vous devez respecter toute réglementation spécifique en vigueur dans votre localité relative à la mise au rebut et au recyclage (notamment le nettoyage ou la décontamination du fauteuil roulant avant sa mise au rebut).

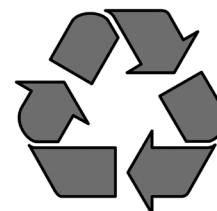
Acier : Fixations, axes à déverrouillage rapide, protège-vêtement, accoudoirs, châssis, repose-jambes, poignées de poussée

Plastique : Poignées, fourches de roues avant, capuchons aux extrémités des montants, roues avant, palettes, accoudoirs, roues/pneus de 12 pouces, roues, protège-vêtements.

Emballage : Sachet en polythène de faible densité, carton

Garniture : Polyester tissé à revêtement PVC et mousse expansée à combustion modifiée.

La mise au rebut ou le recyclage doit être assuré par un agent spécialisé ou une décharge agréée. Vous pouvez également renvoyer votre fauteuil à votre revendeur qui se chargera de sa mise au rebut.



Caractéristiques techniques

CHARGE MAXIMUM : 125 KG

VOIR ÉGALEMENT LA PAGE 4

Conformément à la norme EN12183: 2009, toutes les pièces mentionnées dans le présent manuel (toile du siège/dossier, manchette, protège-vêtement...) sont résistantes au feu (norme EN1021-2).

Le degré d'inclinaison maximum des pentes dépend de la configuration du fauteuil, des capacités de l'utilisateur et du style de conduite. Les capacités de l'utilisateur et son style de conduite ne pouvant être prédéfinis, le degré d'inclinaison maximum des pentes ne peut être déterminé. Il revient donc à l'utilisateur, assisté de son accompagnateur, de déterminer

l'inclinaison maximale afin d'éviter tout risque de basculement. Il est vivement recommandé d'installer des roulettes anti-basculer pour les utilisateurs inexpérimentés.

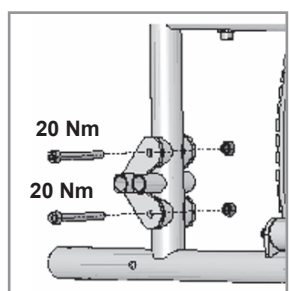
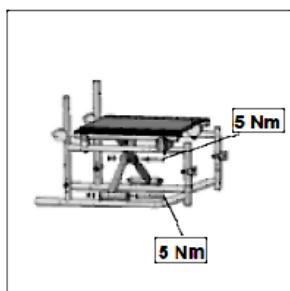
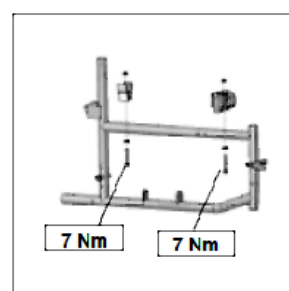
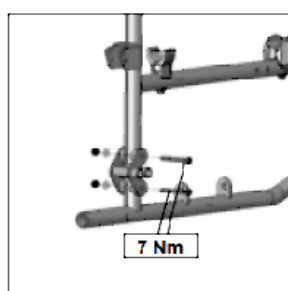
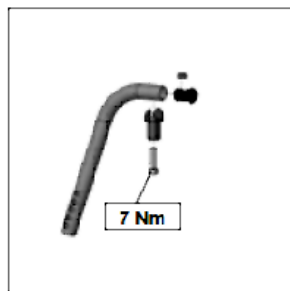
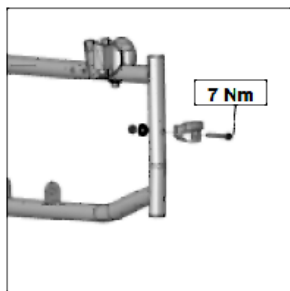
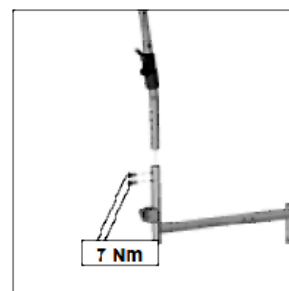
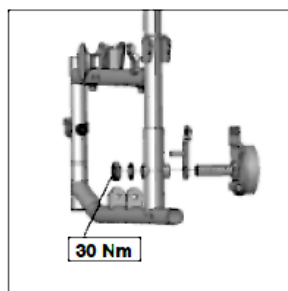
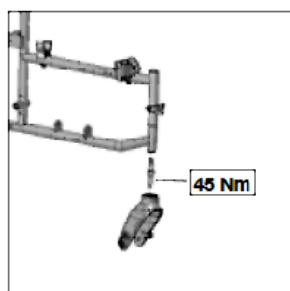
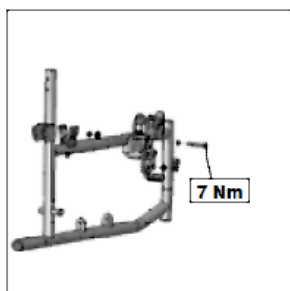
Le fauteuil est conforme aux normes suivantes :

- a) Exigences et méthodes d'essai pour la résistance statique, la résistance aux chocs et la résistance à la fatigue (ISO 7176-8)
- b) Exigences en matière de résistance à l'inflammation des parties rembourrées conformément à ISO 7176-16 (EN 1021-1)

Réglage de la hauteur du siège

470 mm	8"	5	24"	B
510 mm	8"	1	24"	A

Couple réel







Sunrise Medical S.r.l.
Via Riva, 20 – Montale
29122 Piacenza
Italia
Tel.: +39 0523 573111
Fax: +39 0523 570060
www.SunriseMedical.it

Sunrise Medical AG
Erlenauweg 17
CH-3110 Münsingen
Schweiz/Suisse/Svizzera
Fon +41 (0)31 958 3838
Fax +41 (0)31 958 3848
www.SunriseMedical.ch

Sunrise Medical AS
Delitoppen 3
1540 Vestby
Norge
Telefon: +47 66 96 38 00
post@sunrisemedical.no
www.SunriseMedical.no

Sunrise Medical AB
Neogatan 5
431 53 Mölndal
Sweden
Tel.: +46 (0)31 748 37 00
post@sunrisemedical.se
www.SunriseMedical.se

MEDICCO s.r.o.
H – Park, Heršpická 1013/11d,
639 00 Brno
Czech Republic
Tel.: (+420) 547 250 955
Fax: (+420) 547 250 956
www.medicco.cz
info@medicco.cz
Bezplatná linka 800 900 809

Sunrise Medical Aps
Mårkærvej 5-9
2630 Taastrup
Denmark
+45 70 22 43 49
info@sunrisemedical.dk
Sunrisemedical.dk

Sunrise Medical Australia
11 Daniel Street
Wetherill Park NSW 2164
Australia
Ph: +61 2 9678 6600
enquiries@sunrisemedical.com.au
www.SunriseMedical.com.au

Sunrise Medical
North American Headquarters
2842 Business Park Avenue
Fresno, CA, 93727, USA
(800) 333-4000
(800) 300-7502
www.SunriseMedical.com



Sunrise Medical GmbH
Kahlbachring 2-4
69254 Malsch/Heidelberg
Deutschland
Tel.: +49 (0) 7253/980-0
Fax: +49 (0) 7253/980-222
www.SunriseMedical.de

Sunrise Medical
Thorns Road
Brierley Hill
West Midlands
DY5 2LD
England
Phone: 0845 605 66 88
Fax: 0845 605 66 89
www.SunriseMedical.co.uk

Sunrise Medical S.L.
Polígono Bakiola, 41
48498 Arrankudiaga – Vizcaya
España
Tel.: +34 (0) 902142434
Fax: +34 (0) 946481575
www.SunriseMedical.es

Sunrise Medical Poland
Sp. z o.o.
ul. Elektronowa 6,
94-103 Łódź
Polska
Telefon: + 48 42 275 83 38
Fax: + 48 42 209 35 23
E-mail: pl@sunrisemedical.de
www.Sunrise-Medical.pl

Sunrise Medical B.V.
Groningenhaven 18-20
3433 PE NIEUWEGEIN
The Netherlands
T: +31 (0)30 – 60 82 100
F: +31 (0)30 – 60 55 880
E: info@sunrisemedical.nl
www.SunriseMedical.nl

Sunrise Medical HCM B.V.
Vossenbeemd 104
5705 CL Helmond
The Netherlands
T: +31 (0)492 593 888
E: customerservice@sunrisemedical.nl
www.SunriseMedical.nl
www.SunriseMedical.eu
(International)

Sunrise Medical SAS
ZAC de la Vrillonnerie
17 Rue Michaël Faraday
37170 Chambray-Lès-Tours
Tel : +33 (0) 2 47 55 44 00
Email: info@sunrisemedical.fr
www.sunrisemedical.fr

